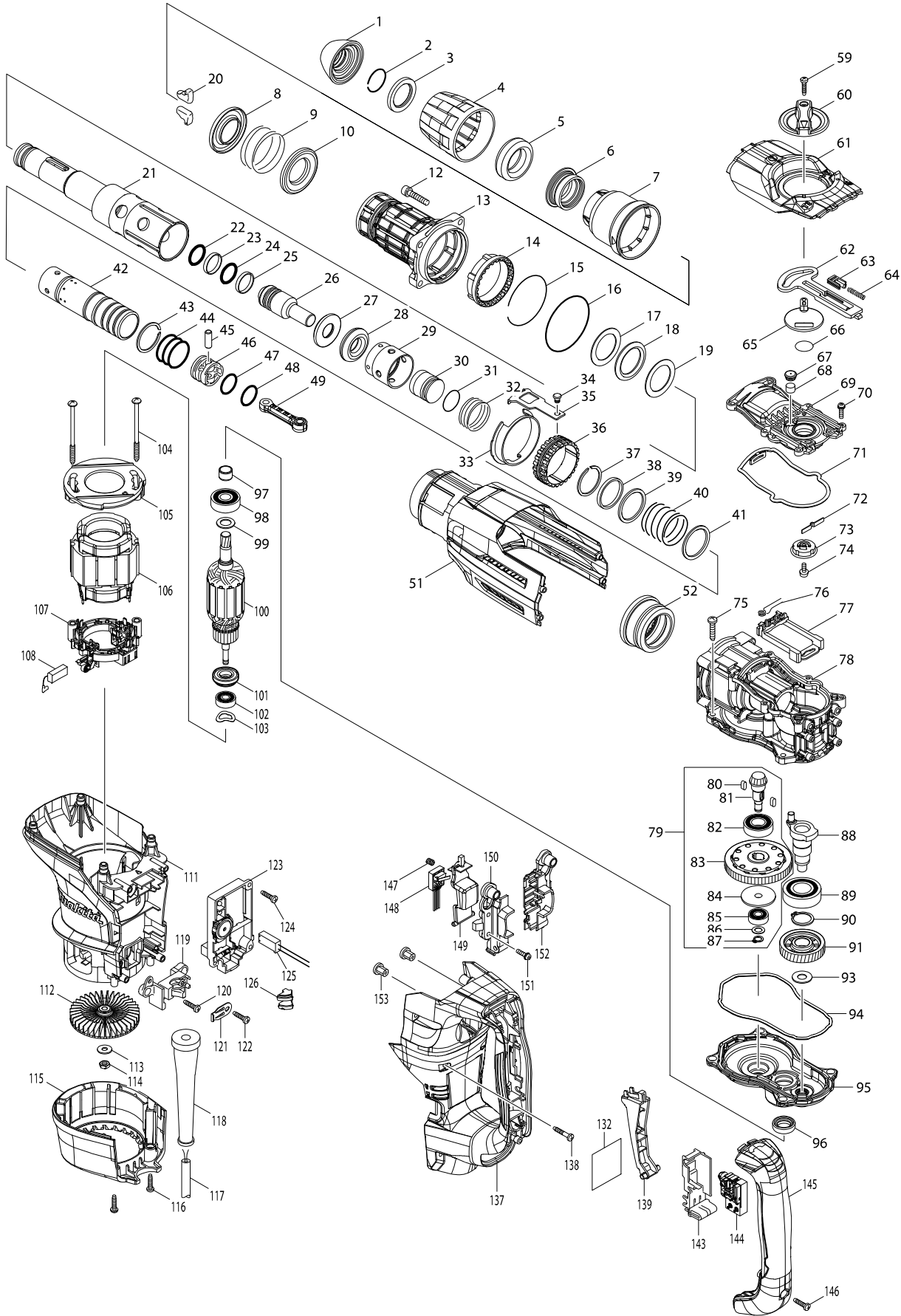


Model No. HR4003C 40MM ROTARY HAMMER



Model No. HR4003C 40MM ROTARY HAMMER

Item	Parts No.	Description	I/C	QTY	N/O	Opt. 1	Opt. 2	NOTE
001	286292-7	TOOL HOLDER CAP		1		39269099		
002	233948-3	RING SPRING 25		1		73209090		
003	257308-5	RING 28		1		73182990		
004	454330-5	CHUCK COVER		1		73262090		
005	262167-4	RUBBER RING 30		1		40169390		
006	326272-2	CHUCK RING		1		40169390		
007	454331-3	RELEASE COVER		1		84679900		
008	346670-4	SPRING GUIDE		1		73209090		
009	234288-2	COMPRESSION SPRING 46		1		73209090		
010	346670-4	SPRING GUIDE		1		73209090		
012	922351-0	HEX. SOCKET HEAD BOLT M6X30		4		73181500		
013	141956-9	BARREL COMPLETE		1		84679900		
C10	213246-1	O-RING 38 SA1004		1		40169320		
C20	213490-0	OIL SEAL 32		1		40169320		
C30	213492-6	O-RING 32		1		40169320		
014	454337-1	LOCK SLEEVE		1		73182990		
015	234290-5	RING SPRING 59		1		73209090		
016	213707-1	O RING 65		1		40169320		
017	267469-3	FLAT WASHER 32		1		73182200		
018	262168-2	RUBBER RING 32		1		40169390		
019	267469-3	FLAT WASHER 32		1		73182200		
020	310257-8	TOOL RETAINER		2		73182990		
021	326268-3	TOOL HOLDER		1		84679900		
022	213317-4	O RING 20		1		40169320		
023	213392-0	FLUORIDE RING 25		1		40169320		
024	213317-4	O RING 20		1		40169320		
025	213392-0	FLUORIDE RING 25		1		40169320		
026	326269-1	IMPACT BOLT		1		73181500		
027	326274-8	RING 17		1		40169390		
028	262166-6	RUBBER RING 18		1		40169390		
029	454347-8	SLIDE SLEEVE		1		73182990		
030	326270-6	STRIKER		1		84679900		
031	213695-2	O-RING 22		1		40169320		
032	234289-0	COMPRESSION SPRING 33		1		73209090		
033	346673-8	GUIDE RING		1		40169320		
034	256548-2	FLAT FILLISTER HEAD PIN 6		1		73182400		
035	346671-2	LINK PLATE		1		73262090		
036	313255-1	DRIVING SLEEVE		1		84679900		
037	257991-8	RETAINING RING (EXT) WR-32.5		1		40169390		
038	257340-9	RING 33		1		40169390		
039	267470-8	FLAT WASHER 33		1		73182200		
040	234287-4	COMPRESSION SPRING 34		1		73209090		
041	267470-8	FLAT WASHER 33		1		73182200		
042	332063-1	CYLINDER 28.5		1		84129090		
043	257991-8	RETAINING RING (EXT) WR-32.5		1		40169390		
044	213406-5	O RING 30		3		40169320		
045	256197-5	PIN 7		1		73182990		
046	419004-5	PISTON		1		84679900		

Item	Parts No.	Description	I/C	QTY	N/O	Opt. 1	Opt. 2	NOTE
047	213379-2	O RING 21		1		40169320		
048	213695-2	O-RING 22		1		40169320		
049	454317-7	CONNECTING ROD		1		73182990		
051	141958-5	HOUSING COVER B COMPLETE		1				
052	227613-4	SPIRAL BEVEL GEAR 26		1		84834000		
059	265995-6	TAPPING SCREW 4X18		1		73181500		
060	454326-6	CHANGE LEVER		1		73182990		
061	318988-3	CRANK CAP COVER		1		84679900		
062	454339-7	CONTROL PLATE		1		73262090		
063	454340-2	SLIDE PLATE		1		73262090		
064	234284-0	COMPRESSION SPRING 4		1		73209090		
065	454345-2	CRANK LEVER		1		39269099		
066	213262-3	O RING 18		1		40169320		
067	424556-3	FILTER CAP		1		39269099		
068	443182-9	FILTER		1		84219900		
069	454319-3	CRANK CAP		1		39269099		
070	911128-8	P.H.SCREW M4X16 WITH WR		6		73181500		
071	424559-7	SEAL RING B		1		40169330		
072	232280-2	LEAF SPRING		1		73209090		
073	454318-5	LINK LEVER		1		39269099		
074	911511-9	PAN HEAD SCREW M4X10		1		73181500		
075	266041-8	TAPPING SCREW 5X25		4		73181500		
076	233603-7	TORSION SPRING 7		1		73209090		
077	454338-9	LINK GUIDE		1		84679900		
078	141954-3	CRANK HOUSING B COMPLETE		1				
079	126290-8	TORQUE LIMITER ASSEMBLY		1		84679900		
D10		INC. 80-87						
080	254239-9	KEY 4		2		84679900		
081	227612-6	SPIRAL BEVEL GEAR 7		1		84834000		
082	211232-6	BALL BEARING 6002LLU		1		84821090		
083	141959-3	TORQUE LIMITER COMPLETE		1		84679900		
084	324727-1	SHOULDER WASHER 8		1		73182200		
085	210005-4	BALL BEARING 608DDW		1		84821090		
086	253215-0	FLAT WASHER 8		1		84679900		
087	961004-6	RETAINING RING S-8		1		73182990		
088	326271-4	CRANK SHAFT		1		84831099		
089	211332-2	BALL BEARING 6004LLU		1		84821090		
090	961060-6	RETAINING RING S-20		1		73182990		
091	227772-4	HELICAL GEAR 37		1		84679900		
093	253180-3	FLAT WASHER 10		1		84679900		
094	424558-9	SEAL RING A		1		40169330		
095	141955-1	GEAR HOUSING COMPLETE		1		84834000		
096	213231-4	OIL SEAL 15		1		40169320		
097	331596-3	SLEEVE 12		1		73182990		
098	211137-0	BALL BEARING 6201LLU		1		84821090		
099	253744-3	FLAT WASHER 12		1		84679900		
100	513888-4	ARMATURE ASS'Y 220-240V		1		85030090		
D10		INC. 97,98,99,101,102						

Item	Parts No.	Description	I/C	QTY	N/O	Opt. 1	Opt. 2	NOTE
101	681650-6	INSULATION WASHER		1		73182200		
102	210005-4	BALL BEARING 608DDW		1		84821090		
103	267721-9	WAVE WASHER 15		1		73182200		
104	266568-8	TAPPING SCREW 5X80		2		73181500		
105	454329-0	BAFFLE PLATE		1		73182990		
106	625758-6	FIELD 220-240V		1		85030090		
107	632A84-2	BRUSH HOLDE UNIT		1		84679900		
108	194160-9	CARBON BRUSH CB-350		1		85452000		
111	454316-9	MOTOR HOUSING		1		84679900		
112	240146-2	FAN 76		1		84145190		
113	253047-5	FLAT WASHER 6		1		84679900		
114	931303-0	HEX. NUT M6		1		73181500		
115	454328-2	REAR COVER		1		84679900		
116	265995-6	TAPPING SCREW 4X18		2		73181500		
117	695137-2	POWER SUPPLY CORD 1.5-2-5.0		1		85442090		
118	682560-0	CORD GUARD 10		1		73182990		
119	419024-9	CORD CLAMP BASE		1		84679900		
120	265995-6	TAPPING SCREW 4X18		1		73181500		
121	687169-3	STRAIN RELIEF		1		73182990		
122	265995-6	TAPPING SCREW 4X18		1		73181500		
123	620202-8	CONTROLLER		1		84679900		
124	265995-6	TAPPING SCREW 4X18		1		73181500		
125	632B52-1	LEAD UNIT		1		84679900		
126	454346-0	LENS		1		90021100		
132	814T27-2	HR4003C NAME PLATE		1				
137	454322-4	HANDLE B		1				
138	265999-8	TAPPING SCREW 4X25		6		73181500		
139	454333-9	SWITCH LEVER B		1				
143	154626-1	SWITCH HOLDER COMPLETE		1		84679900		
144	650678-5	SWITCH C3PA-1121		1		85369090		
145	454323-2	HANDLE COVER		1		84679900		
146	265995-6	TAPPING SCREW 4X18		1		73181500		
147	234281-6	COMPRESSION SPRING 6		1		73209090		
148	632A83-4	SWITCH UNIT		1		85369090		
149	454336-3	SWITCH LEVER C		1		39269099		
150	187692-3	SWITCH CASE SET		1		39269099		
D10		INC. 152						
151	911128-8	P.H.SCREW M4X16 WITH WR		4		73181500		
152	187692-3	SWITCH CASE SET		1		39269099		
D10		INC. 150						
153	286255-3	CAP 13		2		40169990		
A01	123138-5	SIDE GRIP ASSEMBLY		1				
A02	196792-8	SIDE HANDLE 73 SET		1				
A03	194683-7	GREASE VESSEL SET		1		84679900		
A04	141976-3	PLASTIC CARRYING CASE COMPLETE		1				
C10	162271-8	LATCH		2		73182990		
C20	801Y02-7	INDICATION LABEL		1				
A05	331955-1	DEPTH GAUGE		1				

