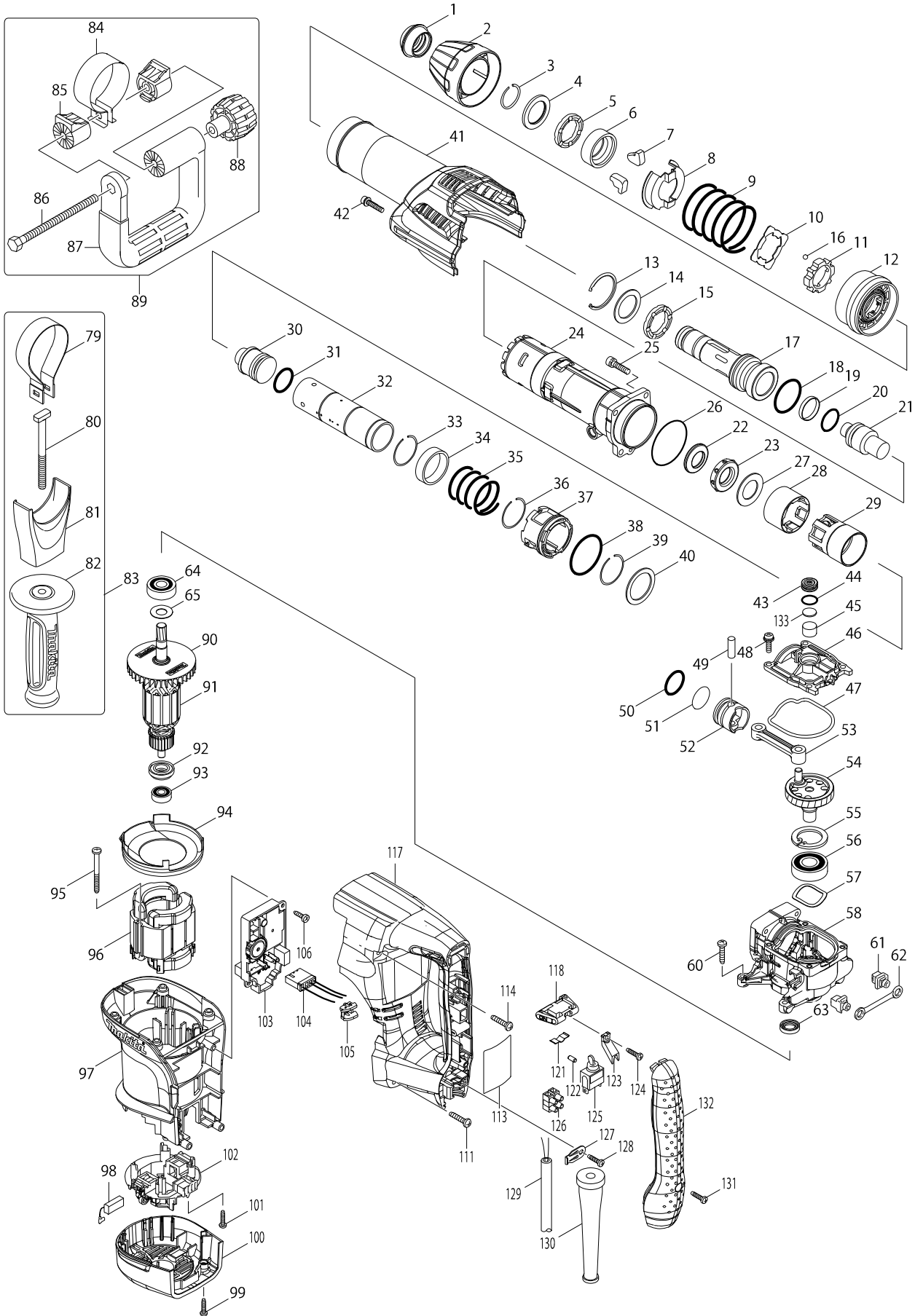


# Model No. HM0870C DEMOLITION HAMMER



# Model No. HM0870C DEMOLITION HAMMER

Item	Parts No.	Description	I/C	QTY	N/O	Opt. 1	Opt. 2	NOTE
001	286287-0	TOOL HOLDER CAP		1		40169390		
002	451432-8	CHUCK COVER		1		84679900		
003	231984-3	RING SPRING 25		1		73209090		
004	267272-2	FLAT WASHER 28		1		73182200		
005	424261-2	RUBBER RING 28		1		40169390		
006	331659-5	CHUCK RING		1		73182990		
007	310108-5	TOOL RETAINER		2		84679900		
008	345360-6	SPRING GUIDE		1	*			
008-1	346677-0	SPRING GUIDE	<	1		82078000		
009	233387-7	COMPRESSION SPRING 52		1		73209090		
010	346141-1	PLATE		1		73182990		
011	310145-9	LOCK RING		1		73182990		
012	451433-6	CHANGE RING		1		40169390		
013	257960-9	RETAINING RING(INT) ROUND R-42		1		73182990		
014	267273-0	FLAT WASHER 29		1		73182200		
015	424261-2	RUBBER RING 28		1		40169390		
016	216002-8	STEEL BALL 4.8		4		73182990		
017	324387-9	TOOL HOLDER		1		82078000		
018	213527-3	O RING 38		1		40169320		
019	213431-6	FLUORIDE RING 28		1		40169320		
020	213394-6	O RING 23		1		40169320		
021	324389-5	IMPACT BOLT		1		73181500		
022	325732-1	RING 20		1		73182990		
023	424245-0	RUBBER RING 20		1		40169390		
024	318512-2	BARREL		1		84679900		
025	922341-3	HEX. SOCKET HEAD BOLT M6X25		4		73181500		
026	213656-2	O RING 53		1		40169320		
027	267407-5	FLAT WASHER 23		1		73182200		
028	451639-6	GUIDE RING		1		40169390		
029	450098-1	SLIDE SLEEVE		1		84679900		
030	324388-7	STRIKER		1		73182990		
031	213958-6	O RING 24		1		40169320		
032	331658-7	CYLINDER 32		1		84679900		
033	233927-1	RING SPRING 34		1		73209090		
034	331660-0	RING 36		1		73182990		
035	233386-9	COMPRESSION SPRING 37		1		73209090		
036	233927-1	RING SPRING 34		1		73209090		
037	317719-7	CYLINDER GUIDE		1		84679900		
038	213611-4	O RING 46		1		40169320		
039	233927-1	RING SPRING 34		1		73209090		
040	267079-6	FLAT WASHER 34		1		73182200		
041	451444-1	HOUSING COVER		1		84679900		
042	922243-3	HEX. SOCKET HEAD BOLT M5X25		1	*	73181500		
042-1	922243-3	HEX. SOCKET HEAD BOLT M5X25	O	1		73181500		
043	419988-7	FILTER CAP		1		84679900		
044	213218-6	O RING 16		1		40169320		
045	443129-3	FILTER		1		84219900		
046	451434-4	CRANK CAP		1		40169390		

# Model No. HM0870C DEMOLITION HAMMER

Item	Parts No.	Description	I/C	QTY	N/O	Opt. 1	Opt. 2	NOTE
047	424244-2	SEAL RING		1		40169390		
048	911233-1	PAN HEAD SCREW M5X20		4		73181500		
049	268104-6	PIN 8		1		73182990		
050	213958-6	O RING 24		1		40169320		
051	213432-4	O RING 26		1		40169320		
052	418349-8	PISTON		1		84679900		
053	418350-3	CONNECTING ROD		1		73182990		
054	325735-5	CRANK SHAFT 17		1		84831099		
055	962157-4	RETAINING RING R-40		1		73182990		
056	211281-3	BALL BEARING 6203LLU		1	*	84821090		
056-1	211490-4	BALL BEARING 6203LLU	O	1		84821090		
057	267825-7	WAVE WASHER 30		1		73182200		
058	140206-9	CRANK HOUSING COMPLETE		1		73262090		
060	266041-8	TAPPING SCREW 5X25		4		73181500		
061	419008-7	FIX GUIDE		2		84679900		
062	423345-3	CUSHION PLATE		1		73182990		
063	213133-4	OIL SEAL 12		1	*	40169320		
063-1	213678-2	OIL SEAL 12	O	1		40169330		
064	211106-1	BALL BEARING 6201LLB		1		84821090		
065	253759-0	FLAT WASHER 12		1		84679900		
079	346140-3	GRIP SPRING 70		1		73209090		
080	266522-2	SQUARE BOLT M8X95		1		73181500		
081	418363-4	SIDE GRIP BASE 60		1		40169390		
082	158131-0	GRIP 36 COMPLETE		1		40169390		
083	135332-7	GRIP 36 ASSEMBLY		1		84679900		
D10		INC. 79-82						
090	240119-5	FAN 76		1		84145190		
091	513793-5	ARMATURE ASSEMBLY 220-240V		1		85030090		
D10		INC. 90,92,93						
092	681650-6	INSULATION WASHER		1		73182200		
093	210005-4	BALL BEARING 608DDW		1		84821090		
094	451438-6	BAFFLE PLATE		1		73182990		
095	266095-5	TAPPING SCREW 5X55		2		73181500		
096	625764-1	FIELD 240V		1		85030090		
097	451423-9	MOTOR HOUSING		1		84679900		
098	194160-9	CARBON BRUSH CB-350		1		85452000		
099	265995-6	TAPPING SCREW 4X18		2		73181500		
100	451442-5	REAR COVER		1		84679900		
101	265995-6	TAPPING SCREW 4X18		4		73181500		
102	638674-3	BRUSH HOLDER UNIT		1		82078000		
103	631930-0	CONTROLLER		1		84679900		
104	638675-1	LEAD UNIT		1		84679900		
105	451428-9	LENS		1		90029000		
106	266192-7	TAPPING SCREW 4X14		2	*	73181500		
106-1	266901-4	TAPPING SCREW 4X14	<	2		73181500		
111	266041-8	TAPPING SCREW 5X25		2		73181500		
113	867390-2	HM0870C NAME PLATE		1	*			
113-1	814H49-0	HM0870C NAME PLATE	O	1				

