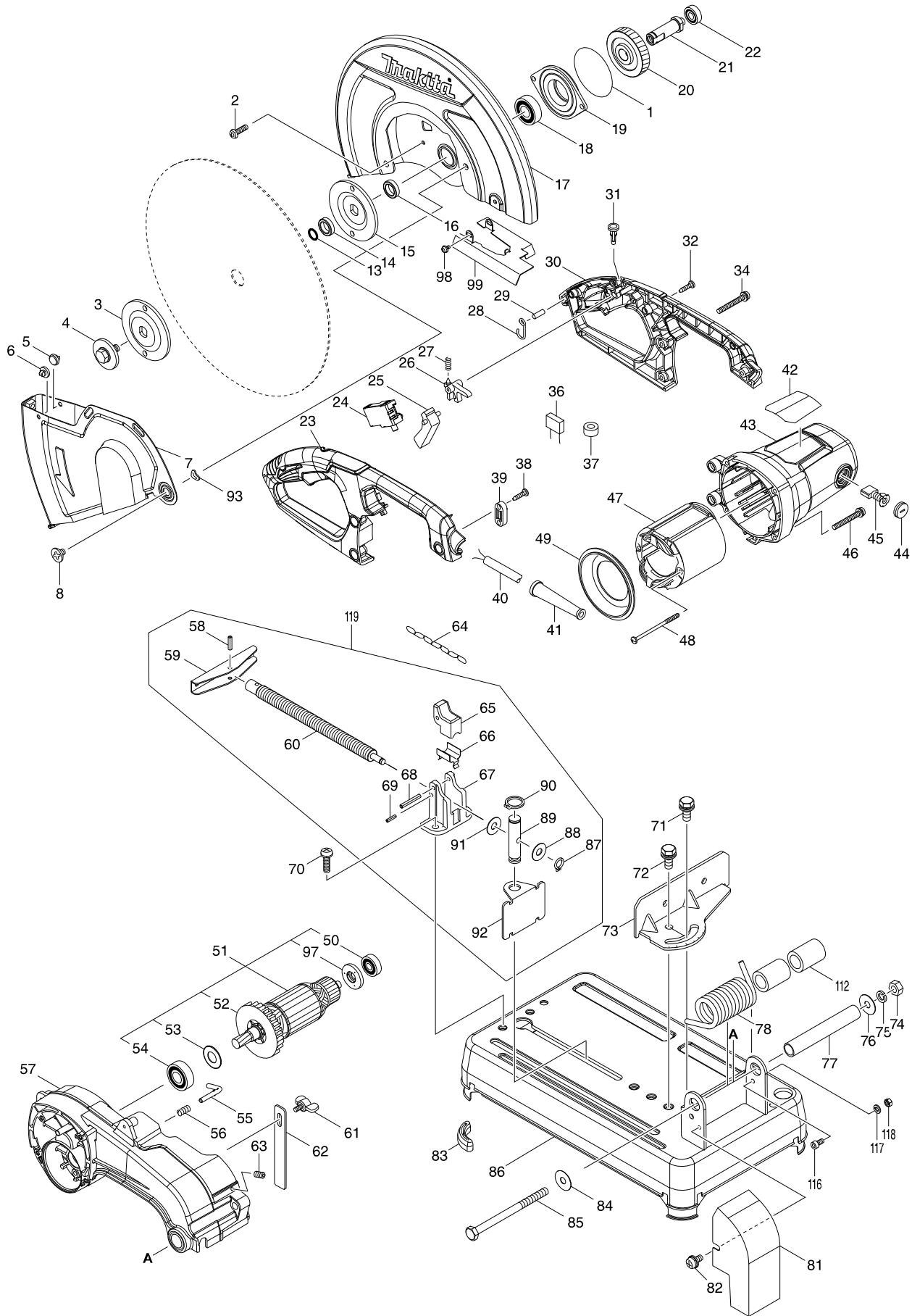


Model No. LW1401 355MM PORTABLE CUT-OFF



Model No. LW1401 355MM PORTABLE CUT-OFF

Item	Parts No.	Description	I/C	QTY	N/O	Opt. 1	Opt. 2	NOTE
001	213858-0	O-RING 65		1		40169320		
002	265122-5	PAN HEAD SCREW M5X20		4		73181500		
003	224299-5	FLANGE 90		1		73182990		
004	251680-7	HEX. BOLT M10X25		1		73181500		
005	418142-0	PLUG		1		40169390		
006	418142-0	PLUG		1		40169390		
007	161398-1	SAFETY GUIDE		1		84679900		
008	265121-7	+ FLAT HEAD SCREW M6		1		73181500		
013	213180-5	O RING 14		1		40169320		
014	257255-0	RING 17		1		73182990		
015	224299-5	FLANGE 90		1		73182990		
016	257255-0	RING 17		1		73182990		
017	161400-0	SAFETY COVER		1		84679900		
018	211282-1	BALL BEARING 6203ZZ		1		84821090		
019	319393-7	BEARING BOX		1	*	84833000		
019-1	136029-1	BEARING BOX ASSY	<	1		84828000		
D10		INC. 1						
020	227811-0	HELICAL GEAR 50		1		84834000		
021	324321-9	SPINDLE		1		84679900		
022	210067-2	BALL BEARING 6000ZZ		1		84821090		
023	183C14-3	HANDLE SET		1		84679900		
D10		INC. 30						
024	650716-3	SWITCH TGC31B		1		85366990		
025	418141-2	SWITCH LEVER		1		39269099		
026	418139-9	SWITCH LOCK		1		73182990		
027	231397-8	COMPRESSION SPRING 4		1		73209090		
028	281216-8	HANGER		1		73182990		
029	268101-2	PIN 6		1		73182990		
030	183C14-3	HANDLE SET		1		84679900		
D10		INC. 23						
031	411478-6	SWITCH BUTTON		1	*	39269099		
031-1	417113-4	SWITCH BUTTON	<	1		39269099		
032	266326-2	TAPPING SCREW 4X18		4		73181500		
034	265104-7	PAN HEAD SCREW M5X40		3		73181500		
038	266326-2	TAPPING SCREW 4X18		2		73181500		
039	687124-5	STRAIN RELIEF		1		84679900		
040	665872-6	POWER SUPPLY CORD 1.0-2-3.0		1		85442090		
041	682540-6	CORD GUARD 9.3-90		1		73182990		
042	851S55-0	LW1401 NAME PLATE		1				
043	143463-8	MOTOR HOUSING COMPLETE		1		84679900		
C10	643712-8	BRUSH HOLDER		2		82078000		
044	643700-5	BRUSH HOLDER CAP 7-18		2		82078000		
045	191953-5	CARBON BRUSH CB-203		1		85452000		
046	265104-7	PAN HEAD SCREW M5X40		4		73181500		
047	593909-8	FIELD ASS'Y 240V		1		85030090		
C10	654197-3	RING TERMINAL		2		73182990		
C20	654502-4	CONNECTOR P-2		2		73182990		
048	265A13-6	TAPPING SCREW 5X85		2		73181500		

Model No. LW1401 355MM PORTABLE CUT-OFF

Item	Parts No.	Description	I/C	QTY	N/O	Opt. 1	Opt. 2	NOTE
049	418143-8	BAFFLE PLATE		1		73182990		
050	210070-3	BALL BEARING 6200ZZ		1		84821090		
051	513463-6	ARMATURE ASS'Y 220-240V		1		85030090		
D10		INC. 50,52-54,97						
052	240164-0	FAN 80		1		84145190		
053	267714-6	WASHER 15		1		73182200		
054	211240-7	BALL BEARING 6202ZZ		1		84821090		
055	324322-7	STOPPER		1		84679900		
056	233372-0	COMPRESSION SPRING 7		1		73209090		
057	143464-6	GEAR HOUSING COMPLETE		1	*	84679900		
C10	263029-9	RUBBER PIN 6		1	*	40169390		
057-1	143464-6	GEAR HOUSING COMPLETE	S	1	*	84679900		
C10	263029-9	RUBBER PIN 6		1	*	40169390		
057-2	140G83-1	GEAR HOUSING COMPLETE	<	1	*			
C10	263029-9	RUBBER PIN 6		1	*	40169390		
057-3	140D69-7	GEAR HOUSING COMPLETE	O	1		84679900		
C10	263029-9	RUBBER PIN 6		1		40169390		
058	951163-4	SPRING PIN 5-20		1		73182990		
059	272027-2	HANDLE 120		1		84679900		
060	324323-5	WISE SCREW		1	*	73181500		
060-1	326802-9	WISE SCREW	O	1		73181500		
061	265754-8	THUMB SCREW M6X12		1		73181500		
062	345310-1	STOPPER PLATE		1		73182990		
063	266321-2	H.S.SET SCREW(FLAT POINT)M6X16		1		73181500		
064	282015-1	CHAIN		1		82029990		
065	313114-9	WISE NUT		1		73181600		
066	345311-9	PLATE		1		73182990		
067	317662-0	SCREW GUIDE		1		84679900		
068	951175-7	SPRING PIN 5-36		1		73182990		
069	951110-5	SPRING PIN 4-16		1		73182990		
070	265125-9	PAN HEAD SCREW M8X30		2		73181500		
071	265508-3	HEX.BOLT M10X25		1		73181500		
072	265508-3	HEX.BOLT M10X25		1		73181500		
073	345315-1	GUIDE PLATE		1		73182990		
074	252183-4	HEX.NUT M10-17		1		73181500		
075	942251-8	SPRING WASHER 10		1		73182200		
076	253197-6	FLAT WASHER 10		1		84679900		
077	331648-0	PIPE 20-128		1		73182990		
078	233633-8	TORSION SPRING 33		1		73209090		
081	345313-5	SPARK GUARD		1		73182990		
082	265144-5	PAN HEAD SCREW M6X12		1		73181500		
083	421834-2	CUSHION		3		40169390		
084	253197-6	FLAT WASHER 10		1		84679900		
085	265509-1	HEX.BOLT M10X140		1		73181500		
086	165352-7	BASE		1		84679900		
087	961004-6	RETAINING RING S-8		1		73182990		
088	267257-8	FLAT WASHER 8		1		73182200		
089	256474-5	SHOULDER PIN 10-16		1		73182990		

