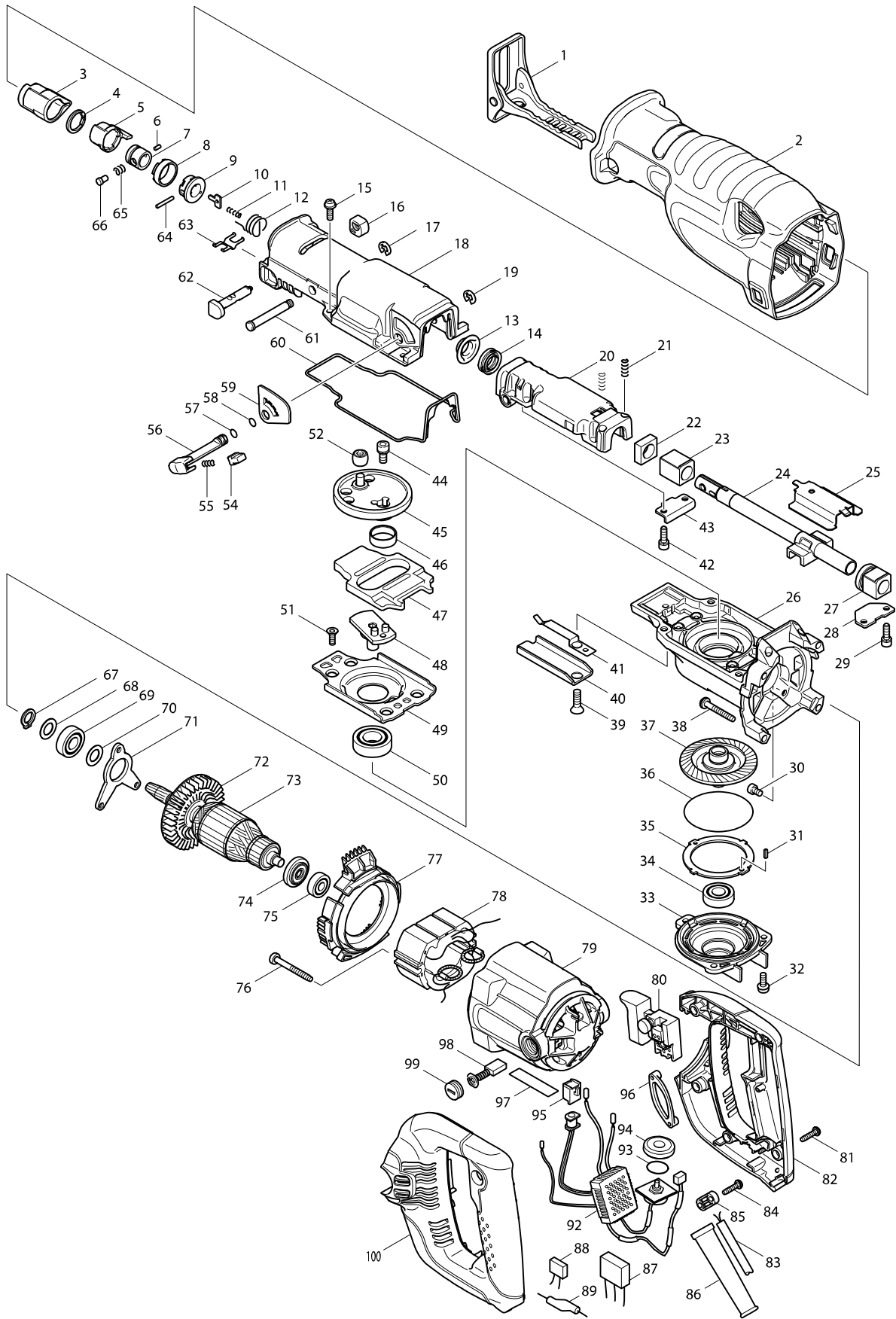


# Model No. JR3070CT RECIPRO SAW



# Model No. JR3070CT RECIPRO SAW

Item	Parts No.	Description	I/C	QTY	N/O	Opt. 1	Opt. 2	NOTE
001-1	163453-5	SHOE		1		84679900		
002	421904-7	INSULATION COVER		1		84679900		
003-1	424147-0	PROTECTOR		1		84679900		
004	257952-8	RETAINING RING (EXT) 18		1	*	73182990		
004-1	257430-8	RETAINING RING(EXT)18	S	1				
005-2	310285-3	DRIVING SLEEVE		1	*	84679900		
005-3	310658-0	DRIVING SLEEVE	S	1				
006	268094-3	PIN 3		1		73182990		
007	331720-8	GUIDE SLEEVE		1	*	73182990		
007-1	327043-0	GUIDE SLEEVE	S	1				
008	417791-0	DRIVING SLEEVE GUIDE		1		84679900		
009	418311-3	SLEEVE		1		84679900		
010	345214-7	PUSH PLATE		1		73182200		
011	233025-1	COMPRESSION SPRING 2		1		73209090		
012	231687-9	TORSION SPRING 17		1		73209090		
013	257742-9	SHOULDER SLEEVE 14		1		73182990		
014	213174-0	X RING 14		1		40169320		
015	911225-0	PAN HEAD SCREW M5X16		4		73181500		
016	418806-6	CAP		1		40169390		
017	961012-7	STOP RING E-6		1		73182990		
018	154551-6	GEAR HOUSING COVER COMPLETE		1		84679900		
019	961012-7	STOP RING E-6		1		73182990		
020	154502-9	SLIDER SUPPORT COMPLETE		1		84679900		
021	233038-2	COMPRESSION SPRING 5		2		73209090		
022	423343-7	SEAL PLATE 14		1		73182990		
023	214170-1	PLANE BEARING 14A		1		84821090		
024-1	154804-3	SLIDER COMPLETE		1	*	84679900		
024-2	168410-8	SLIDER	O	1	*	84679900		
024-3	168410-8	SLIDER	O	1	*	84679900		
024-4	161437-7	SLIDER	S	1				
025	345487-2	SLIDE PLATE		1		73182990		
026	317842-8	GEAR HOUSING		1		84679900		
027-1	154547-7	BEARING COMPLETE		1		84679900		
028	345486-4	PLATE B		1		73182990		
029-1	911225-0	PAN HEAD SCREW M5X16		2		73181500		
030	265530-0	HEX.SOCKET HEAD BOLT M5X8		3		73181500		
032	911225-0	PAN HEAD SCREW M5X16		3		73181500		
033	317844-4	BEARING BOX		1		84833000		
034	211101-1	BALL BEARING 6001LLB		1		84821090		
036	213726-7	O RING 62		1		40169320		
037	154549-3	TORQUE LIMITER COMPLETE		1		84679900		
038-1	266373-3	TAPPING SCREW 5X35		4		73181500		
039-1	265165-7	TORX SOCKET C.S.HEADSCREW M6X		1		73181500		
040	345479-1	SHOE GUIDE		1		73182990		
041	232222-6	LEAF SPRING B		1		73209090		
042-1	911225-0	PAN HEAD SCREW M5X16		2		73181500		
043	345485-6	PLATE A		1		73182990		
044	265531-8	HEX.SOCKET HEAD BOLT M6X14		1		73181500		

Item	Parts No.	Description	I/C	QTY	N/O	Opt. 1	Opt. 2	NOTE
045-1	154545-1	CRANK CAM COMPLETE		1		84679900		
046	257265-7	RING 21		1		73182990		
047	313121-2	COUNTER WEIGHT		1		84679900		
048	154546-9	CRANK BASE COMPLETE		1		84679900		
049	345489-8	GUIDE PLATE		1		73182990		
050	211251-2	BALL BEARING 6003LLB		1		84821090		
051	265148-7	TORX SOCKET HEAD SCREW M5X14		4		73181500		
052	212957-5	NEEDLE BEARING 710		1		84831090		
054	418991-5	STOPPER		1		84679900		
055	231309-1	COMPRESSION SPRING 5		1		73209090		
056	272247-8	LEVER 20		1		39269099		
057	213021-5	O RING 5		1		40169320		
058	213021-5	O RING 5		1		40169320		
059	413095-8	PLATE C		1		73182990		
060	421899-4	SEAL RING		1		40169390		
061	268012-1	PIN 7		1		73182990		
062	162236-0	SHIFT BUTTON		1		84679900		
063	232221-8	LEAF SPRING A		1		73209090		
064	256158-5	PIN 3		1		73182990		
065	233345-3	COMPRESSION SPRING 6		1	*	73209090		
065-1	234381-2	COMPRESSION SPRING 6	S	1				
066	256492-3	SHOULDER PIN 5		1	*	73182990		
066-1	256569-4	SHOULDER PIN 5	S	1				
067	961052-5	RETAINING RING S-12		1		73182990		
068	253744-3	FLAT WASHER 12		1		84679900		
069	211131-2	BALL BEARING 6001DDW		1		84821090		
070	253744-3	FLAT WASHER 12		1		84679900		
071	285719-4	BEARING RETAINER A		1		84679900		
072	241863-7	FAN 70		1		84145190		
073	513603-6	ARMATURE ASS'Y 220-240V		1		85030090		
D10		INC. 72,74,75						
074	681650-6	INSULATION WASHER		1		73182200		
075	210029-0	BALL BEARING 608ZZ		1		84821090		
076-1	266466-6	TAPPING SCREW 5X45		2	*	73181500		
076-2	266056-5	TAPPING SCREW 5X45	O	2		73181500		
077	418817-1	BAFFLE PLATE		1		73182990		
078-1	528803-5	FIELD ASS'Y 220-240V		1		85030090		
C10	654020-2	RING TERMINAL		2		73182990		
C20	654501-6	CONNECTOR P-1.25		2		73182990		
079	154498-4	MOTOR HOUSING COMPLETE		1		84679900		
C10	643708-9	BRUSH HOLDER 5-11		2		82078000		
080-1	650222-8	SWITCH TG71ARS-1		1		85366990		
081	265995-6	TAPPING SCREW 4X18		5		73181500		
082	183933-5	HANDLE SET		1		84679900		
D10		INC. 100						
083	665865-3	POWER SUPPLY CORD 1.0-2-2.5		1		85442090		
084	265995-6	TAPPING SCREW 4X18		2		73181500		
085	687052-4	STRAIN RELIEF		1	*	84679900		

**Model No. JR3070CT RECIPRO SAW**

Item	Parts No.	Description	I/C	QTY	N/O	Opt. 1	Opt. 2	NOTE
085-1	687124-5	STRAIN RELIEF	O	1		84679900		
086	682573-1	CORD GUARD 10		1		73182990		
092	631651-4	CONTROLLER		1		84679900		
093	213261-5	O RING 17		1		40169320		
094	418905-4	DIAL		1		84679900		
095	418518-1	SLEEVE		1		73182990		
097	861231-4	JR3070CT NAME PLATE		1				
098	191963-2	CARBON BRUSH CB-303		1		85452000		
099	643750-0	BRUSH HOLDER CAP 7-11		2		40169390		
100	183933-5	HANDLE SET		1		84679900		
D10		INC. 82						
101	125524-6	GEAR HOUSING COVER ASSEMBLY		1	*			
D10		INC. 3-14,16-20,22-25,27-29,			*			
D20		INC. 42,43,54-59,61-66			*			
101-1	126912-0	GEAR HOUSING COVER ASSEMBLY	<	1	*			
D10		INC. 3-14,16-20,22-25,27-29,			*			
D20		INC. 42,43,54-59,61-66			*			
101-2	127403-4	GEAR HOUSING COVER ASSEMBLY	<	1				
D10		INC. 3-14,16-20,22-25,27-29,						
D20		INC. 42,43,54-59,61-66						
A01-1	824734-9	PLASTIC CARRYING CASE		1	*			
C10	417724-5	LATCH		2	*	73182990		
C20	819143-5	MAKITA LABEL		1	*	83100090		
A01-2	821621-3	PLASTIC CARRYING CASE	O	1				
C10	162315-4	LATCH		2		73182900		
A02	B-05038	RECIPRO SAW BLADE FOR METAL		1		82029990		
A03	B-05044	RECIPRO SAW BLADE FOR PLYWOOD		1		82029990		
A04	B-05153	RECIPRO SAW BLADE FOR WOOD		1		82029990		