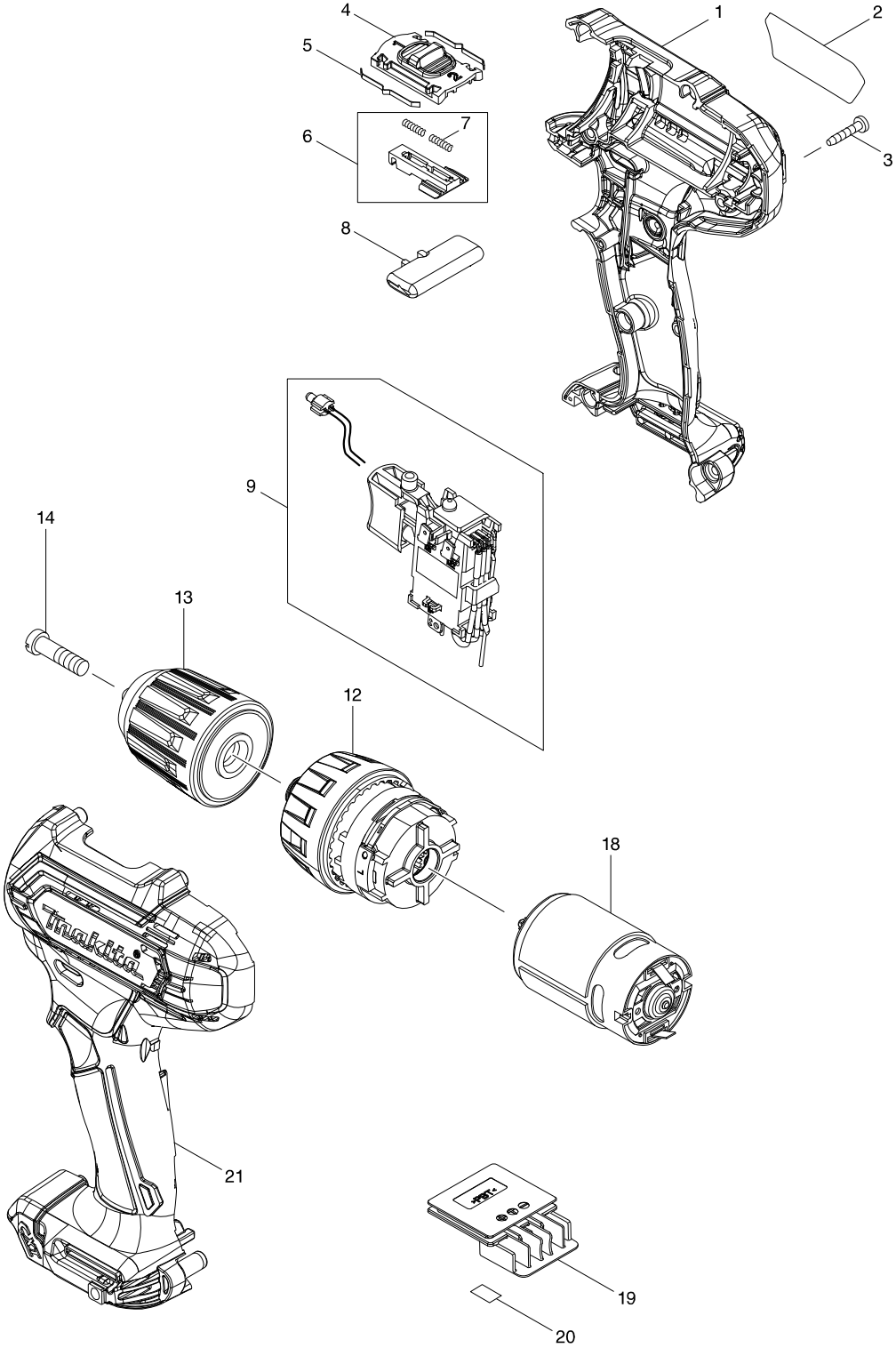


Model No. DF333D CORDLESS DRIVER DRILL



**Model No. DF333D CORDLESS DRIVER DRILL**

Item	Parts No.	Description	I/C	QTY	N/O	Opt. 1	Opt. 2	NOTE
001	183K90-5	HOUSING SET		1		84679900		
C10	252126-6	HEX. LOCKING NUT M4-7		2		73181500		
D10		INC. 21						
002	855E35-4	DF333D NAME PLATE		1				
003	266429-2	TAPPING SCREW 3X16		9		73181500		
004	459026-3	SPEED CHANGE LEVER		1		84679900		
005	232493-5	LEAF SPRING		2		84679900		
006	127127-2	CHANGE LEVER ASSEMBLY		1		84679900		
D10		INC. 7						
007	233025-1	COMPRESSION SPRING 2		2		73209090		
008	456039-5	F/R CHANGE LEVER		1		73182990		
009	632J77-3	SWITCH UNIT		1		85381090		
C10	620625-0	LED CIRCUIT		1		94059900		
012	127125-6	GEAR ASSEMBLY		1		84834000		
013	763238-5	KEYLESS DRILL CHUCK 10		1		84663010		
014	251468-5	- FLAT HEAD SCREW M6X22		1		73181500		
018	629395-8	DC MOTOR		1		84679900		
019	644813-5	TERMINAL		1		73182990		
020	855E42-7	DF333D SERIAL NO. LABEL		1				
021	183K90-5	HOUSING SET		1		84679900		
C10	252126-6	HEX. LOCKING NUT M4-7		2		73181500		
D10		INC. 1						
A01	251314-2	+ SCREW M4X12		1		73181500		
A02	346909-5	HOOK		1		73269099		
A03	784244-7	+ BIT 2-50		1		82075000		
A04B	821661-1	PLASTIC CARRYING CASE		1				
C10	417724-5	LATCH		2		73182990		
A05B	818P79-1	DF333DWYE MODEL NO. LABEL		1				
A08B	456128-6	BATTERY COVER		1				
A09B	***DC10WD	DC10WD BATTERY CHARGER		1				
D10		COMPO-PARTS						
A10B	198007-9	BATTERY BL1016 SET		2		85076000		