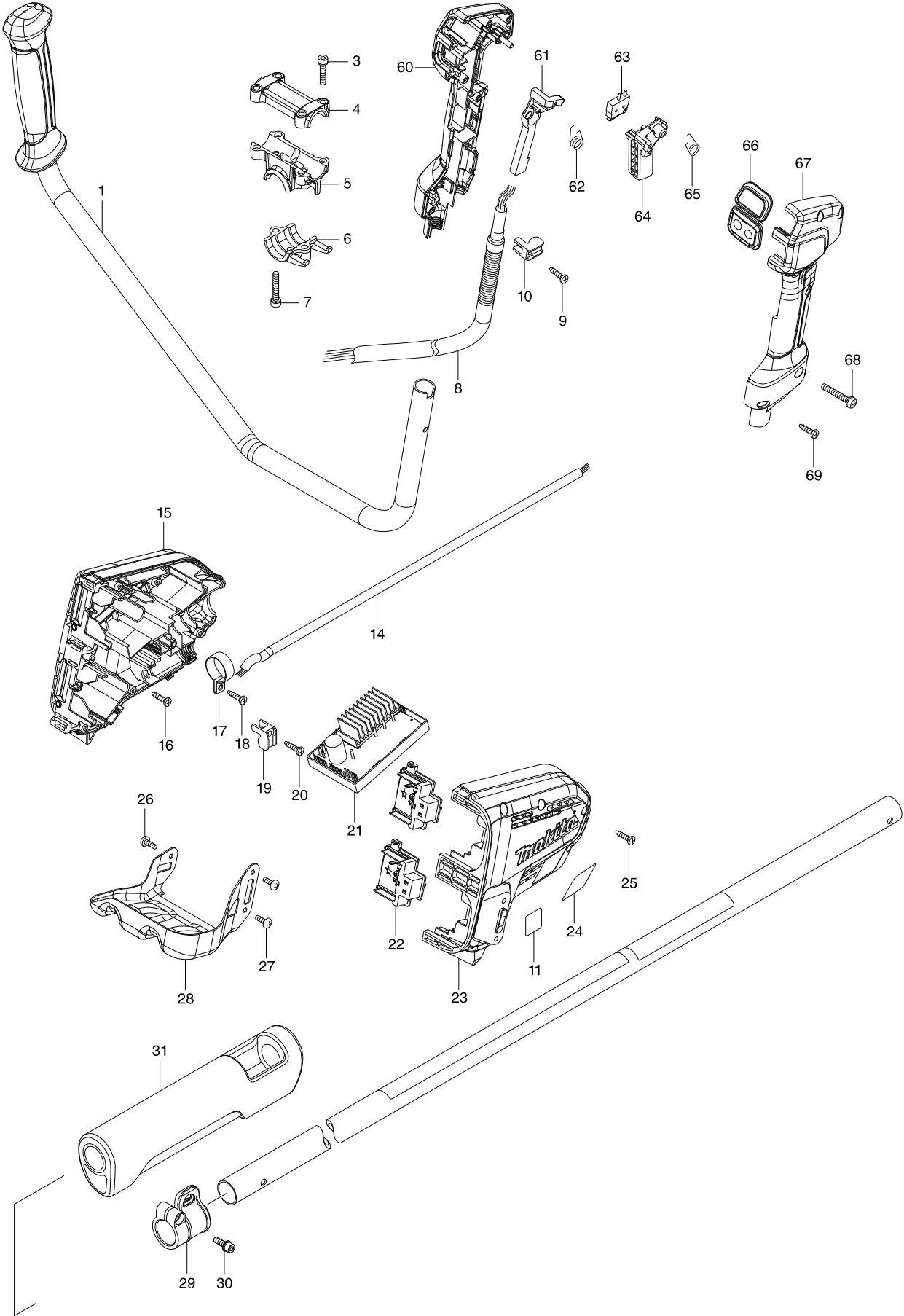
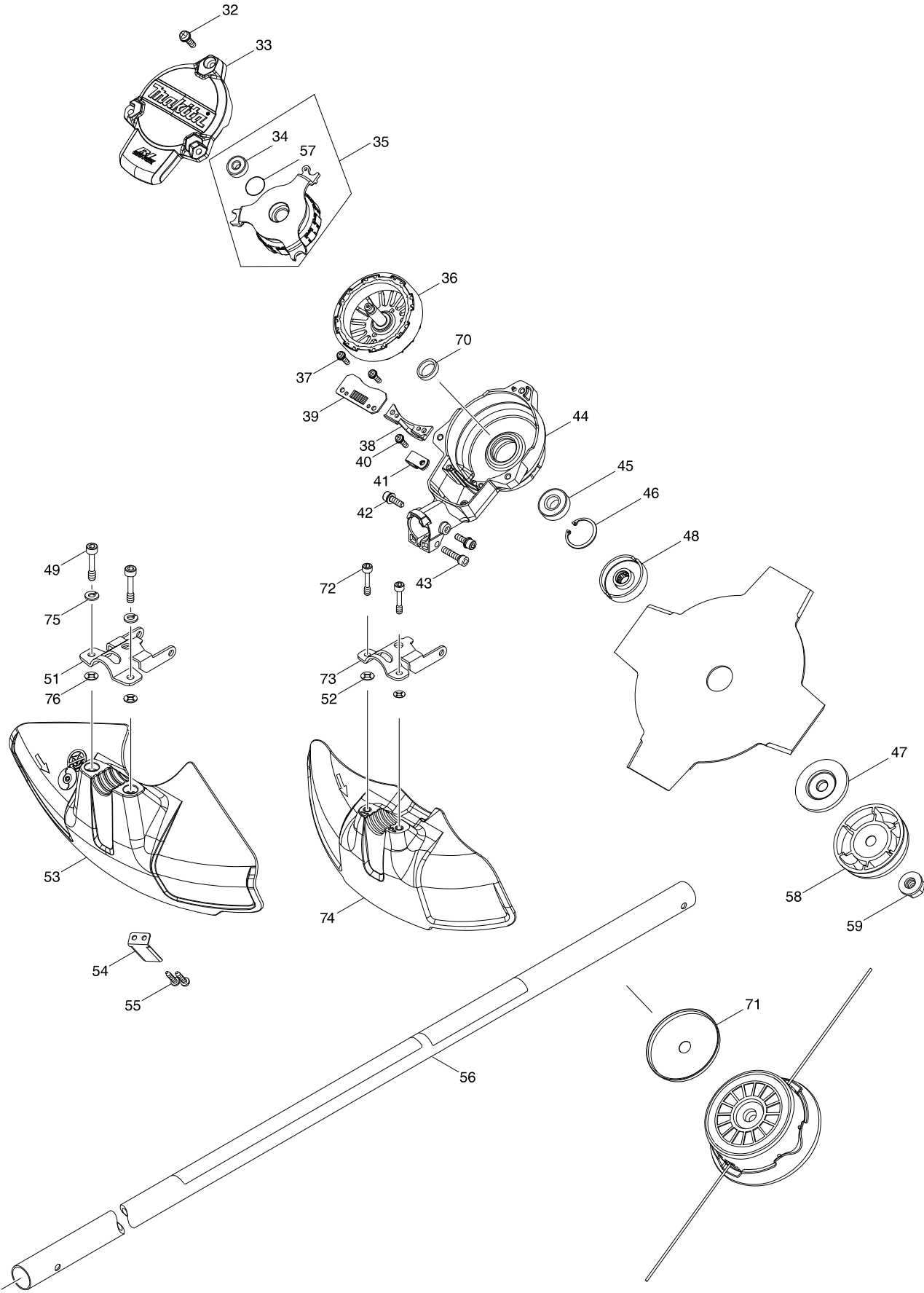


Modelo DUR365U CORDLESS GRASS TRIMMER



Modelo DUR365U CORDLESS GRASS TRIMMER



Modelo DUR365U CORDLESS GRASS TRIMMER

Artículo	Código	Descripción	Interc	Cantida	N/O	Opción 1	Opción 2	Notas
001	143187-6	HANDLE COMPLETE		1				
003	922241-7	TORNILLO HEXAGONAL M5X25*		4				
004	318272-6	HANDLE HOLDER 1		1				
005	318273-4	HANDLE HOLDER 2		1				
006	318274-2	HANDLE HOLDER 3		1				
007	922251-4	TORNILLO HEXAGONAL M5X30*		2				
008	699069-5	POWER SUPPLY CORD UNIT		1				
009	266326-2	TORNILLO M4X18		1				
010	687261-5	SENSOR BBC231U		1				
011	891003-3	SOUND 93DB LABEL		1				
014	699067-9	POWER SUPPLY CORD UNIT		1				
015	183A64-6	HOUSING SET		1				
C10	263005-3	FIJADOR 6*		4				
D10		INC. 23						
016	266326-2	TORNILLO M4X18		3				
017	346248-3	ABRAZADERA MS246.4CE		1				
018	266326-2	TORNILLO M4X18		1				
019	687261-5	SENSOR BBC231U		1				
020	266326-2	TORNILLO M4X18		1				
021A	143186-8	CONTROLLER COMPLETE		1	*			
021B	143186-8	CONTROLLER COMPLETE		1	*			
021C	144368-5	CONTROLLER COMPLETE		1				
021-1A	144368-5	CONTROLLER COMPLETE	S	1				
021-1B	144368-5	CONTROLLER COMPLETE	S	1				
022	644808-8	TERMINAL		2				
023	183A64-6	HOUSING SET		1				
C10	263005-3	FIJADOR 6*		4				
D10		INC. 15						
024	850U28-2	DUR365U NAME PLATE		1				
025	266326-2	TORNILLO M4X18		7				
026	251314-2	TORNILLO M4X12*		1				
027	251314-2	TORNILLO M4X12*		2				
028	346858-6	BATTERY GUARD		1				
029	168478-4	ABRAZADERA BBC231U		1				
030	922228-9	TORNILLO 5X18 EBH252		1				
031	424463-0	CUSHION		1				
032	911233-1	TORNILLO M5X20*		3				
033	455626-7	TOP COVER		1				
034	210062-2	RODAMIENTO 607ZZ		1				
035	529146-8	STATOR ASS'Y		1	*			
D10		INC. 34,57			*			
035-1	529146-8	STATOR ASS'Y	O	1				
D10		INC. 34,57						
036A	619368-9	ROTOR		1	*			
036B	619368-9	ROTOR		1	*			
036C	619462-7	ROTOR		1				
036-1A	619462-7	ROTOR	<	1				
036-1B	619462-7	ROTOR	<	1				

Artículo	Código	Descripción	Interc	Cantidad	N/O	Opción 1	Opción 2	Notas
037	911128-8	TORNILLO M4X16*		2				
038	455628-3	INNER COVER		1				
039A	620401-2	CONTROLLER B		1	*			
039B	620401-2	CONTROLLER B		1	*			
039C	620562-8	CONTROLLER B		1				
039-1A	620562-8	CONTROLLER B	S	1				
039-1B	620562-8	CONTROLLER B	S	1				
040	911128-8	TORNILLO M4X16*		1				
041	687042-7	PRESILLA*		1				
042	922223-9	TORNILLO 5X16 EBH252		2				
043	922241-7	TORNILLO HEXAGONAL M5X25*		1				
044	143039-1	MOTOR HOUSING COMPLETE		1				
045	211131-2	RODAMIENTO 6001DDW		1				
046	962106-1	GRUPILLA R-28 *		1				
047	346084-7	ARANDELA SUJECCION EBH252		1				
048	326518-6	RECEIVE WASHER A		1				
052	261156-6	POLYPROPYLENE WASHER 4		2				
056	143180-0	PIPE COMPLETE E		1				
C10	819312-8	ETIQUETA MAKITA EBH252		1				
C20	806G53-7	CAUTION LABEL		1				
057	213325-5	O RING 19		1				
058	168526-9	PLATO DISCO EBH252		1				
059	264025-0	TUERCA DISCO 10-17 EBH252		1				
060	183A77-7	GRIP SET		1				
D10		INC. 67						
061	455629-1	LOCK OFF LEVER		1				
062	233621-5	TORSION SPRING 9		1				
063	632E40-6	SWITCH UNIT		1				
064	455816-2	SWITCH LEVER		1				
065	233612-6	TORSION SPRING 10		1				
066	143185-0	SUB CONTROLLER COMPLETE		1				
067	183A77-7	GRIP SET		1				
D10		INC. 60						
068	911256-9	TORNILLO PLANO M5X35*		1				
069	266326-2	TORNILLO M4X18		5				
070A	326586-9	RING 14	S	1	*			
070B	326586-9	RING 14	S	1	*			
072	266896-1	HEX. SOCKET HEAD BOLT M5X20		2				
073	346785-7	PROTECTOR CLAMP		1				
074	455815-4	PROTECTOR		1				
A01	125516-5	BAND ASSEMBLY		1				
A02A	195150-5	CUTTER BLADE SET		1	*			
A02B	195150-5	CUTTER BLADE SET		1	*			
A02C	195150-5	CUTTER BLADE SET		1				
A02-1A	195150-5	CUTTER BLADE SET	O	1				
A02-1B	195150-5	CUTTER BLADE SET	O	1				
A03	195246-2	GAFAS DE SEGURIDAD AN610H		1				
A04A	450573-7	PROTECTOR SP252.4R		2	*			

