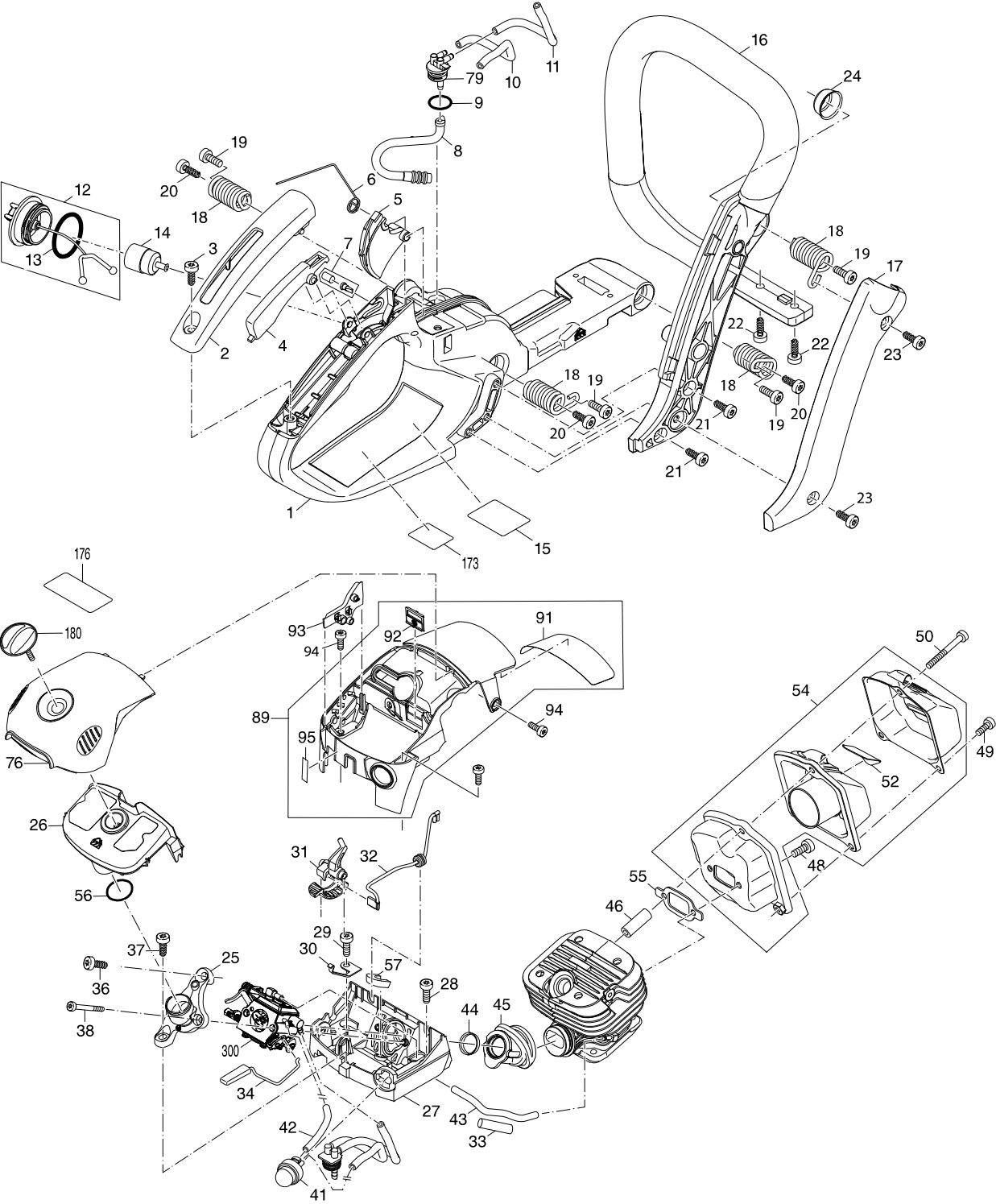


Model No. EA4301F PETROL CHAIN SAW



Item	Parts No.	Description	I/C	QTY	N/O	Opt. 1	Opt. 2	NOTE
001	143341-2	FUEL TANK WELDED BLUE		1		84679900		
002	456143-0	GRIP OUTER SHELL		1		84679900		
003	266478-9	TAPPING SCREW TORX 5.5X16		1		73181500		
004	456142-2	CATCH LEVER		1		84679900		
005	456141-4	THROTTLE LEVER		1		84679900		
006	231866-9	TORSION SPRING 10		1		73209090		
007	195762-4	AIR VALVE SET		1		84818090		
008	424456-7	FUEL LINE		1		84679900		
009	213586-7	O RING 11.5		1		40169320		
010	424756-5	TUBE 2.5-118		1		40169390		
011	424757-3	TUBE 3.0-93		1		40169390		
012	168823-3	TANK CAP COMPLETE		1		40169390		
D10		INC. 13						
013	213080-9	O RING 29.5		1		40169320		
014	163447-0	FUEL FILTER		1	*	84679900		
014-1	163447-0	FUEL FILTER	O	1		84679900		
015	852C41-8	EA4301F NAME PLATE		1				
016	456140-6	TUBULAR HANDLE		1		84679900		
017	456151-1	SIDE COVER MAKITA BLUE		1		84679900		
018	234189-4	COMPRESSION SPRING 12		4		73209090		
019	266605-8	H.L. SOCKET HEAD BOLT M5X16		4		73181500		
020	266478-9	TAPPING SCREW TORX 5.5X16		3		73181500		
021	266478-9	TAPPING SCREW TORX 5.5X16		2		73181500		
022	266478-9	TAPPING SCREW TORX 5.5X16		2		73181500		
023	266478-9	TAPPING SCREW TORX 5.5X16		2		73181500		
024	346517-2	CUP WASHER 6		1		73182200		
025	456135-9	INTAKE MANIFOLD		1		84679900		
026	123452-9	AIR FILTER CPL.NYLON		1		84213990		
027	456169-2	CARBURETOR BOTTOM		1		84679900		
028	266605-8	H.L. SOCKET HEAD BOLT M5X16		1		73181500		
029	266605-8	H.L. SOCKET HEAD BOLT M5X16		1		73181500		
030	346926-5	CONTACT SPRING		1	*			
030-1	347357-1	CONTACT SPRING	<	1		73209090		
031	456139-1	CHOKE LEVER		1		73182990		
032	632F41-0	SHORT-CIRCUIT CABLE		1		85442090		
033	424759-9	ISOLATING TUBE 6-30		1		40169390		
034	143330-7	THROTTLE LINKAGE		1		73182990		
036	266478-9	TAPPING SCREW TORX 5.5X16		1		73181500		
037	266478-9	TAPPING SCREW TORX 5.5X16		1		73181500		
038	251478-2	H.L. SOCKET HEAD BOLT M4X40		2	*			
038-1	266604-0	H.L. SOCKET HEAD BOLT M4X40	O	2		73181500		
041	168398-2	PRIMER PUMP		1		84133090		
042	424754-9	TUBE 2.5-55		1		40169390		
043	424755-7	TUBE 2.5-93		1		40169390		
044	346413-4	BUSH 17		1		40169390		
045	424753-1	INTAKE HOSE		1		40169390		
046	326675-0	CONNECTING LINK		1	*			
046-1	325939-9	CONNECTING LINK	O	1		73182990		

Model No. EA4301F PETROL CHAIN SAW

Item	Parts No.	Description	I/C	QTY	N/O	Opt. 1	Opt. 2	NOTE
048	266605-8	H.L. SOCKET HEAD BOLT M5X16		2		73181500		
049	266612-1	H.L. SOCKET HEAD BOLT M5X10		2		73181500		
050	266943-8	H.L. SOCKET HEAD BOLT M5X40		1	*	73181500		
050-1	266606-6	H.L. SOCKET HEAD BOLT M5X40	O	1		73181500		
052	352027-9	SPARK ARRESTER SCREEN		1		73182990		
054	161362-2	MUFFLER COMPLETE		1		84679900		
D10		INC. 52						
055	346304-9	GASKET		1		40169390		
056	213085-9	O-RING 20		1		40169320		
057	424752-3	PACKING RING		1		40169390		
059	451462-9	ISOLATING WASHER		2		73182200		
060	319338-5	CYLINDER D=42		1	*			
060-1	144710-0	CYLINDER COMPLETE	X	1	*	84679900		
D10		INC. 179			*			
060-2	140L37-8	CYLINDER COMPLETE	S	1		84679900		
D10		INC. 179						
061	143332-3	PISTON 42 CPL.		1		84679900		
D10		INC. 62,63						
062	257383-1	PISTON RING 42		1		73182990		
063	268339-9	PISTON PIN 9		1		73182990		
064	232302-8	CIRCRIP 9		2		73182990		
065	266960-8	H.L. SOCKET HEAD BOLT M5X20		4		73181500		
066	346925-7	CYLINDER BASE GASKET		1		40169390		
067	143329-2	CRANKSHAFT CPL.		1	*	84835090		
067-1	140H65-9	CRANKSHAFT COMPLETE	S	1				
068	211494-6	BALL BEARING 6201		1	*	84821090		
068-1	211341-1	BALL BEARING 6201	O	1		84821090		
069	143333-1	CRANKCASE CS COMPLETE BLUE		1	*	84679900		
D10		INC. 71,77,80			*			
069-1	144393-6	CRANKCASE CS COMPLETE BLUE	S	1				
D10		INC. 71,77,80						
070	143337-3	CRANKCASE MS COMPLETE BLUE		1	*	84679900		
D10		INC. 68			*			
070-1	144394-4	CRANKCASE MS COMPLETE BLUE	S	1				
D10		INC. 68						
071	258038-1	CLAMPING PIN		2	*	73182990		
071-1	951063-8	SPRING PIN 3-16	O	2		73182990		
072	346924-9	CRANK CASE GASKET		1		40169390		
074	346301-5	SPIKE BAR		1		73182990		
075	266605-8	H.L. SOCKET HEAD BOLT M5X16		2		73181500		
076	456159-5	HOOD		1		84679900		
077	168504-9	VENT VALVE		1		84818090		
078	266960-8	H.L. SOCKET HEAD BOLT M5X20		6		73181500		
079	452018-1	FUEL NIPPLE		1		40169390		
080	219024-7	DEEP GROOVE BALL BEARING		1		84821090		
087	168823-3	TANK CAP COMPLETE		1		40169390		
D10		INC. 88						
088	213080-9	O RING 29.5		1		40169320		

Item	Parts No.	Description	I/C	QTY	N/O	Opt. 1	Opt. 2	NOTE
089	161368-0	HOOD COMPLETE BLACK		1		84679900		
D10		INC. 91,92,95						
091	346929-9	PROTECTION FILM HOOD		1				
092	456157-9	SHUTTER PLATE		1		73182990		
093	456138-3	GUIDE		1		73182990		
094	266605-8	H.L. SOCKET HEAD BOLT M5X16		3		73181500		
095	816917-5	INDICATION LABEL		1		83100090		
096	212093-7	NEEDLE CAGE 912		1		84821090		
100	161365-6	STARTER COMPLETE BLUE		1		84679900		
111	266605-8	H.L. SOCKET HEAD BOLT M5X16		4		73181500		
112	807A60-7	EA4301F MODEL NO. LABEL		1		83100090		
113	456137-5	AIR GUIDE PLATE		1		73182990		
114	161357-5	IGNITION COIL COMPLETE		1		84679900		
D10		INC. 116,117,118						
115	266472-1	TORX SOCKET HEAD BOLT M5X20		2	*	73181500		
115-1	266472-1	TORX SOCKET HEAD BOLT M5X20	O	2		73181500		
116	444042-8	ISOLATING TUBE 6-80		1		40169390		
117	234358-7	TERMINAL SPRING		1		73209090		
118	424750-7	PLUG CAP		1		40169390		
120	168599-2	SPARK PLUG NGK CMR7A-5		1				
121	143331-5	FLYWHEEL COMPLETE		1		84679900		
D10		INC. 122,177,178						
122	346916-8	RATCHET		2				
123	264022-6	HEX. NUT M8X1		1		73181600		
124	267822-3	SPRING WASHER 8		1		73182200		
125	456136-7	HAND PROTECTION		1		84679900		
126	266605-8	H.L. SOCKET HEAD BOLT M5X16		1		73181500		
127	326596-6	BUSH		1		40169390		
128	450926-0	STOPPER CASE		1		40169390		
129	231870-8	TENSION SPRING 10		1		73209090		
130	163500-2	LINK PLATE COMPLETE		1		84679900		
131	257934-0	STOP RING E-4		1	*			
131-1	961011-9	STOP RING E-4	O	1		73182990		
132	346029-5	BRAKE BAND		1		40169390		
133	259045-7	STOP RING E-8		1		73182990		
134	267820-7	WASHER 29		1		73182200		
135	143339-9	CLUTCH DRUM COMPLETE		1	*	84679900		
135-1	143339-9	CLUTCH DRUM COMPLETE	O	1		84679900		
136	123454-5	CLUTCH ASSEMBLY		1	*			
D10		INC. 137			*			
136-1	123857-3	CLUTCH ASSEMBLY	O	1		84679900		
D10		INC. 137						
137	231896-0	TENSION SPRING		3	*			
137-1	232352-3	TENSION SPRING	O	3		73209090		
138	267389-1	FLAT WASHER 12		1		73182200		
139	161346-0	OIL PUMP COMPLETE		1		84679900		
142	168645-1	OIL SUCTION LINE COMPLETE		1		84679900		
D10		INC. 144,143						

Model No. EA4301F PETROL CHAIN SAW

Item	Parts No.	Description	I/C	QTY	N/O	Opt. 1	Opt. 2	NOTE
143	234207-8	COMPRESSION SPRING 6		1		73209090		
144	452666-6	NIPPLE		1		40169390		
145	424178-9	OIL TUBE		1		40169390		
146	325604-0	BUSH		1		40169390		
147	450956-1	PUMP DRIVE		1		84679900		
148	266605-8	H.L. SOCKET HEAD BOLT M5X16		1		73181500		
150	810075-9	CAUTION LABEL		1	*			
150-1	817T83-1	CAUTION LABEL	<	1	*			
150-2	818L12-9	CAUTION LABEL	<	1				
155	266978-9	BOLT		2		73181500		
157	346927-3	CHAIN BRAKE COVER		1		84679900		
158	266477-1	TORX C.S. HEAD SCREW M5X12		2		73181500		
159	161440-8	SPROCKET GUARD CPL. MAKITA		1	*			
159-1	161791-9	SPROCKET GUARD CPL. MAKITA	<	1		73182990		
160	252145-2	COLLARED HEX NUT M8		2	*	73181500		
160-1	264055-1	COLLARED HEX. NUT M8	O	2		73181600		
162	251480-5	TAPPING SCREW ST3.5X9.5		1	*	73181500		
162-1	266484-4	H.L SOCKET HEAD BOLT M5X12	S	1		73181500		
163	213082-5	O-RING 7		1	*			
163-1	213594-8	O RING 7	O	1		40169320		
164	226693-7	HELICAL GEAR 18		1	*			
164-1	227744-9	HELICAL GEAR 18	O	1		84679900		
165	226692-9	HELICAL GEAR 11		1	*			
165-1	227743-1	HELICAL GEAR 11	O	1		84679900		
166	452667-4	GEAR COVER PROFESSIONAL		1		73182990		
167	346300-7	TENSION SLIDE		1	*	73182990		
167-1	347252-5	TENSION SLIDE	S	1				
168	450929-4	GUIDE PLATE		1	*			
168-1	452668-2	CLAMP SCREW BEDDING	O	1		73182990		
169	346518-0	GUIDE PLATE		1		73182990		
170	313212-9	HAND GUARD GUIDE		1		84679900		
171	234093-7	COMPRESSION SPRING 3		1		73209090		
172	213141-5	OIL SEAL 12		1		40169320		
177	266626-0	H.L. TAPPING SCREW 5X12		2				
178	232303-6	TORSION SPRING 13		2				
179	325938-1	ANGULAR NIPPLE		1		84679900		
180	266977-1	THUMB SCREW		1		73181500		
300	161370-3	CARBURETOR DM24B		1	*	84679900		
300-1	161370-3	CARBURETOR DM24B	O	1		84679900		
C10	ZJ00000077	NOZZLE ASSEMBLY		1		40169390		
C12	ZJ00000097	PUMP COVER KIT		1		84679900		
C14	ZJ00000020	SCREW (PUMP COVER)		1		73181500		
C16	ZJ00000026	SCREW, IDLE MIXTURE		1		73181500		
C18	ZJ00000039	SCREW, MAIN MIXTURE		1		73181500		
C20	ZJ00000037	STRAINER		1		84679900		
C22	ZJ00000073	SPRING		1		73209090		
C24	ZJ00000015	THROTTLE SHAFT ASSY		1		84679900		
C26	ZJ00000012	SHAFT ASSY, CHOKE		1		84679900		

Item	Parts No.	Description	I/C	QTY	N/O	Opt. 1	Opt. 2	NOTE
C28	ZJ00000030	VALVE,THROTTLE		1		73182990		
C30	ZJ00000001	SCREW		2		73181500		
C32	ZJ00000036	PLUG,ACC POCKET		1		85369090		
C34	ZJ00000098	THROTTLE LEVER SCREEN		1		73182990		
C36	ZJ00000022	LEVER,THROTTLE		1		73182990		
C38	ZJ00000023	SCREW		1		73181500		
C40	ZJ00000021	COLLAR		1		84679900		
C42	ZJ00000028	COVER,METERING		1		84679900		
C44	ZJ00000014	SCREW (WITH SERRATION)		2		73181500		
C46	ZJ00000033	WASHER		1		73182200		
C48	ZJ00000031	LEVER,CHOKE		1		73182990		
C50	ZJ00000099	CHOKE LEVER		1		73269099		
C52	ZJ00000017	E-RING		1		73182990		
C54	ZJ00000024	VALVE,CHOKE		1		73182990		
C56	ZJ00000005	PLUNGER KIT		1		73182990		
C58	ZJ00000032	SPRING,CHOKE RETURN		1		73209090		
C60	ZJ00000040	SPRING,THROTTLE RETURN		1		73209090		
D10		INC. 301-310						
301	ZJ00000003	STRAINER		1		84679900		
302	ZJ00000008	PIN		1		73182990		
303	ZJ00000078	SPRING, METERING LEVER		1		73182990		
304	ZJ00000006	LEVER		1		84679900		
305	ZJ00000007	VALVE, INLET NEEDLE		1		84818090		
306	ZJ00000009	SCREW (METERING LEVER PIN)		1		73181500		
307	ZJ00000079	METERING CHAMBER GASKET		1		40169390		
308	ZJ00000013	DIAPHRAGM ASS'Y,METERING		1		84679900		
309	ZJ00000029	DIAPHRAGM, PUMP		1		40169390		
310	ZJ00000016	GASKET, PUMP		1		40169390		
311	ZJ00000081	REBUILT KIT		1		84679900		
D10		INC. 301-306,312						
312	ZJ00000082	GASKET&DIAPHRAGM KIT		1		40169390		
D10		INC. 307-310						
313	347438-1	COOLING PLATE	S	1				
314	183M69-8	NYLON FILTER SET BLACK		1				
D10		INC. 25,26,56,76,89,94,180						
A01	165390-9	GUIDE BAR		1		84679900		
A02	419560-5	CHAIN PROTECTION COVER 430		1		84679900		
A03	197324-4	TOOL KIT		1				
C10	782025-3	TORX WRENCH		1		82041120		
C20	782026-1	UNIVERSAL WRENCH 13/16		1		82041120		
C30	783012-5	SCREWDRIVER		1		82045000		
C40	831340-3	TOOL BAG		1		42022990		
A04	197568-6	SAW CHAIN SET		1	*			
A04-1	196214-8	SAW CHAIN SET	<	1		84679900		
B01	183L41-4	CYLINDER PISTON SET		1				
D10		INC. 59-61,179						