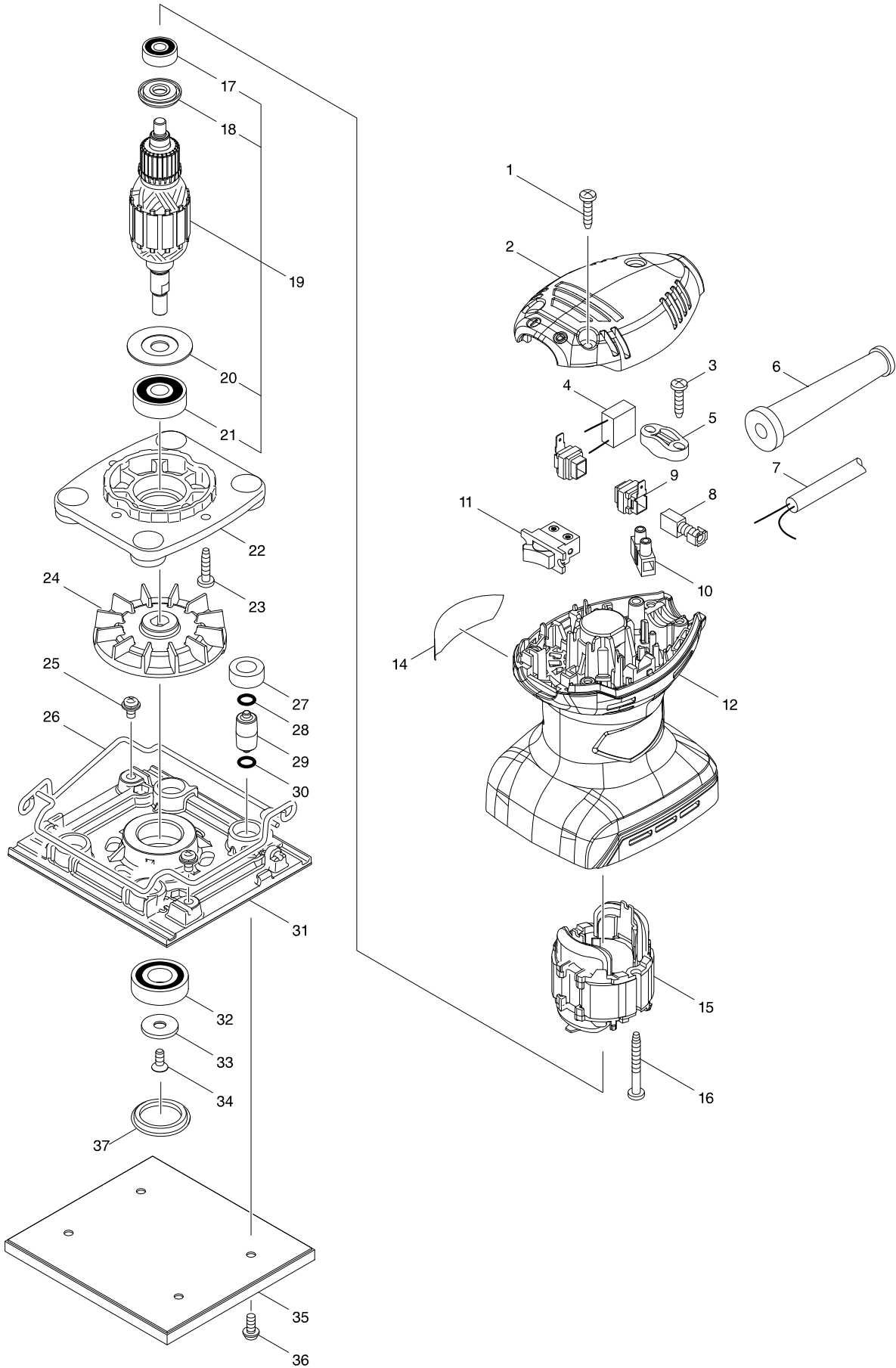


Model No. M9200 FINISHING SANDER



Model No. M9200 FINISHING SANDER

Item	Parts No.	Description	I/C	Qty	N/O	Opt. 1	Opt. 2	Note
001	266326-2	TAPPING SCREW 4X18		3		73181500		
002	453856-4	TOP COVER		1		84672900		
003	266326-2	TAPPING SCREW 4X18		2		73181500		
005	687123-7	STRAIN RELIEF		1		84679900		
006	682569-2	CORD GUARD 8-85		1		73182990		
007	666257-9	POWER SUPPLY CORD 0.75-2-2.0		1		85442090		
008	191962-4	CARBON BRUSH CB-419		1		85452000		
009	643995-0	BRUSH HOLDER		2		82078000		
010-1	654532-5	TERMINAL BLOCK 1P		1		73182990		
011	651527-9	SWITCH		1		85366990		
012	456016-7	MOTOR HOUSING		1		84679900		
014	850W67-4	M9200 NAME PLATE		1				
015	635099-2	FIELD 240V		1		85030090		
016	266351-3	TAPPING SCREW 4X35		2		73181500		
017	210137-7	BALL BEARING 606ZZ		1		84821090		
018	681675-0	INSULATION WASHER		1				
019	517689-2	ARMATURE ASSEMBLY 240V		1		84672900		
D10		INC. 17,18,20,21						
020	267806-1	WASHER 9		1		73182200		
021	211092-6	BALL BEARING 629DDW		1		84821090		
022	419917-0	BEARING BOX		1		84833000		
023	266326-2	TAPPING SCREW 4X18		4		73181500		
024	241669-3	FAN 65		1		84145190		
025	266455-1	+PAN HEAD SCREW M4X12		2		73181500		
026	324781-5	LEVER		2		73182990		
027	424023-8	SPONGE SLEEVE 9		4		40169390		
028	213983-7	O RING 4		4		40169320		
029	318151-8	FOOT		4		84679900		
030	213983-7	O RING 4		4		40169320		
031	419918-8	BASE		1		84679900		
032	210107-6	BALL BEARING 6001ZZ		1		84821090		
033	267349-3	FLAT WASHER 6		1		73182200		
034	265175-4	+ COUNTERSUNK HEAD SCREW M4X		1	*	73181500		
034-1	265175-4	+ COUNTERSUNK HEAD SCREW M4X	O	1		73181500		
035	158796-8	PAD COMPLETE		1		39269099		
036	251308-7	+ PAN HEAD SCREW M4X10		4		73181500		
037	424078-3	CAP 28		1		40169390		
A01	794195-6	ABRASIVE PAPER SET 114X100		1				