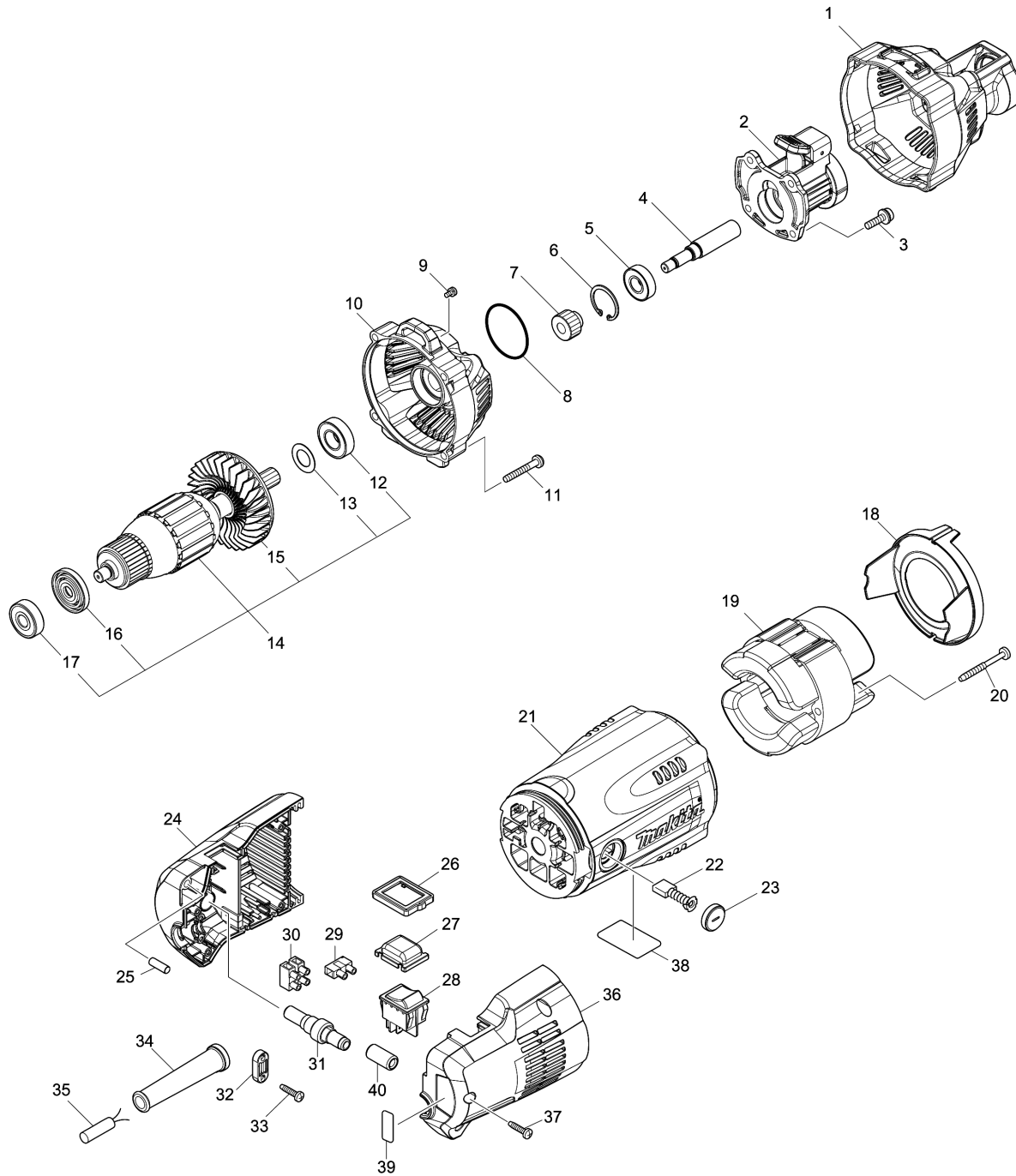


Model No.VR1000 CONCRETE VIBRATOR



Model No.VR1000 CONCRETE VIBRATOR

Item	Parts No.	Description	I/C	QTY	New/Old	Opt. 1	Opt. 2	NOTE
001	422200-6	RUBBER COVER		1				
002	144699-2	HOSE HOLDER COMPLETE		1				
003	911233-1	PAN HEAD SCREW M5X20		4				
004	327014-7	SPINDLE		1				
005	210163-6	BALL BEARING 6001DDW		1				
006	962116-8	RETAINING RING R-28		1				
007	221568-5	HELICAL GEAR 19		1				
008	213561-3	O RING 42		1				
009	652014-1	PAN HEAD SCREW M4X8		1				
010	144698-4	GEAR HOUSING COMPLETE		1				
011	266012-5	TAPPING SCREW 5X35		4				
012	211236-8	BALL BEARING 6002DDW		1				
013	267164-5	FLAT WASHER 15		1				
014	513992-9	ARMATURE ASSEMBLY 115V		1				
D10		INC. 12,13,15-17						
015	240060-2	FAN 80		1				
016	681630-2	INSULATION WASHER		1				
017	210075-3	BALL BEARING 6200DDW		1				
018	457964-3	BAFFLE PLATE		1				
019	521867-8	FIELD ASSEMBLY 115V		1				
C10	654197-3	RING TERMINAL		2				
C20	654502-4	CONNECTOR P-2		2				
020	266046-8	TAPPING SCREW 5X50		2				
021	154671-6	MOTOR HOUSING COMPLETE		1				
022	194992-4	CARBON BRUSH SET CB-204		1				
023	643700-5	BRUSH HOLDER CAP 7-18		2				
024	183H28-2	REAR COVER SET		1	*			
D10		INC. 36			*			
024-1	183L00-8	REAR COVER SET	<	1				
D10		INC. 36						
025	256041-6	PIN 6		1				
026	144822-9	DUST COVER CAP COMPLETE		1	*			
027	421552-2	DUST COVER		1	*			
027-1	140F25-9	DUST COVER COMPLETE	<	1				
028	651575-8	SWITCH DRH-03-DAK32-16		1				
029	654532-5	TERMINAL BLOCK 1P		1				
030	654531-7	TERMINAL BLOCK 2P		1				
031	632L02-6	CURRENT FUSE UNIT		1				
C10	652076-9	CURRENT FUSE		1				
032	687053-2	STRAIN RELIEF		1				
033	265995-6	TAPPING SCREW 4X18		2				
034	682505-8	CORD GUARD 10-90		1	*			

Please order the parts with part number.

Print Date 4/8/2019

Model No.VR1000 CONCRETE VIBRATOR

Item	Parts No.	Description	I/C	QTY	New/Old	Opt. 1	Opt. 2	NOTE
034-1	140F26-7	CORD GUARD 10 COMPLETE	<	1	*			
C10	422353-1	SPONGE SHEET CG		1	*			
034-2	140F27-5	CORD GUARD 12 COMPLETE	<	1				
C10	422353-1	SPONGE SHEET CG		1				
035	699108-1	POWER SUPPLY CORD UNIT		1				
036	183H28-2	REAR COVER SET		1	*			
D10		INC. 24			*			
036-1	183L00-8	REAR COVER SET	<	1				
D10		INC. 24						
037	265995-6	TAPPING SCREW 4X18		4				
038	853P21-5	VR1000 NAME PLATE		1				
039	853P23-1	VR1000 SERIAL NO. LABEL		1				
A01	161347-8	SHOULDER BELT		1				

Please order the parts with part number.

Print Date 4/8/2019