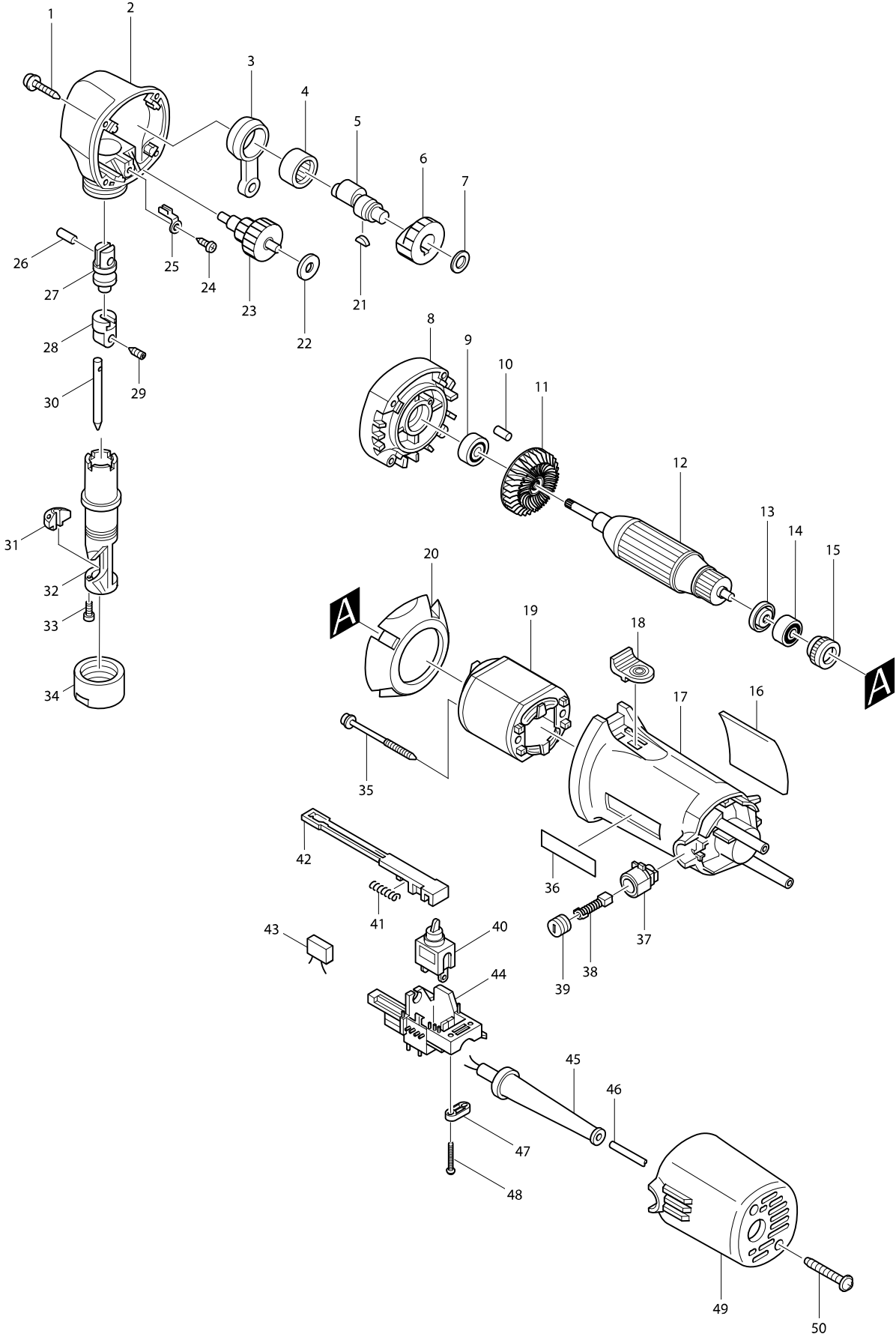


Model No. JN1601 NIBBLER



Model No. JN1601 NIBBLER

Item	Parts No.	Description	I/C	QTY	N/O	Opt. 1	Opt. 2	NOTE
001	266053-1	TAPPING SCREW 4X35		4		73181500		
002	159757-1	GEAR HOUSING COMPLETE		1	*	84679900		
C10	817658-6	CAUTION LABEL		1	*			
002-1	144734-6	GEAR HOUSING COMPLETE	S	1				
C10	817658-6	CAUTION LABEL		1				
003	331438-1	ROD		1		73182990		
004	212222-2	NEEDLE BEARING 1612		1		84821090		
005	322704-7	CRANK SHAFT		1		84831099		
006	226286-0	SPUR GEAR 34		1		84834000		
007	253215-0	FLAT WASHER 8		1		84679900		
008	159758-9	GEAR HOUSING COVER COMPLETE		1		84679900		
C10	951051-5	SPRING PIN 3-8		1		73182990		
C20	212005-0	NEEDLE BEARING 810		1		84821090		
C30	212011-5	NEEDLE BEARING 609		1		84821090		
D10		INC. 10						
009	210005-4	BALL BEARING 608DDW		1		84821090		
010	263002-9	RUBBER PIN 4		1		40169390		
011	241875-0	FAN 54		1				
012D_	517514-7	ARMATURE ASS'Y 240V		1		85030090		
D10		INC. 9,11,13,14						
013	681636-0	INSULATION WASHER		1		73182200		
014	211021-9	BALL BEARING 607LLB		1		84821090		
015	421479-6	RUBBER RING 19		1		40169390		
016	857617-8	NAME PLATE JN1601		1				
017	159755-5	MOTOR HOUSING COMPLETE		1	*	84679900		
C10	654125-8	TERMINAL		2	*	73182990		
017-1	159755-5	MOTOR HOUSING COMPLETE	<	1		84679900		
C10	654125-8	TERMINAL		2		73182990		
018	415303-3	SWITCH KNOB		1		40169390		
019D_	635014-6	FIELD 240V		1		85030090		
020	415490-8	BAFFLE PLATE		1		73182990		
021	254002-0	WOODRUFF KEY 3		1		84679900		
022	267133-6	FLAT WASHER 6		1		73182200		
023	226123-8	GEAR COMPLETE 13-37		1		84834000		
024-1	266026-4	TAPPING SCREW BIND CT 4X12		1		73181500		
025	344116-4	STOPPER		1		73182990		
026	256111-1	PIN 6		1		73182990		
027	322703-9	RAM		1		82079090		
028	322702-1	PUNCH HOLDER		1		82079090		
029	265880-3	H.S.SET SCREW(CONE POINT)M5X8		1		73181500		
030-1	A-83951	PUNCH		1		82073000		
031	A-15051	DIE		1		82079090		
032	322701-3	DIE HOLDER		1		82078000		
033-1	266080-8	HEX. SOCKET HEAD BOLT M3X12		2		73181500		
034	322748-7	LOCK NUT		1		73181600		
035	266060-4	TAPPING SCREW 4X65		2		73181500		
036	819063-3	MAKITA LABEL		1	*	83100090		
037	643922-7	BRUSH HOLDER		2		82078000		

