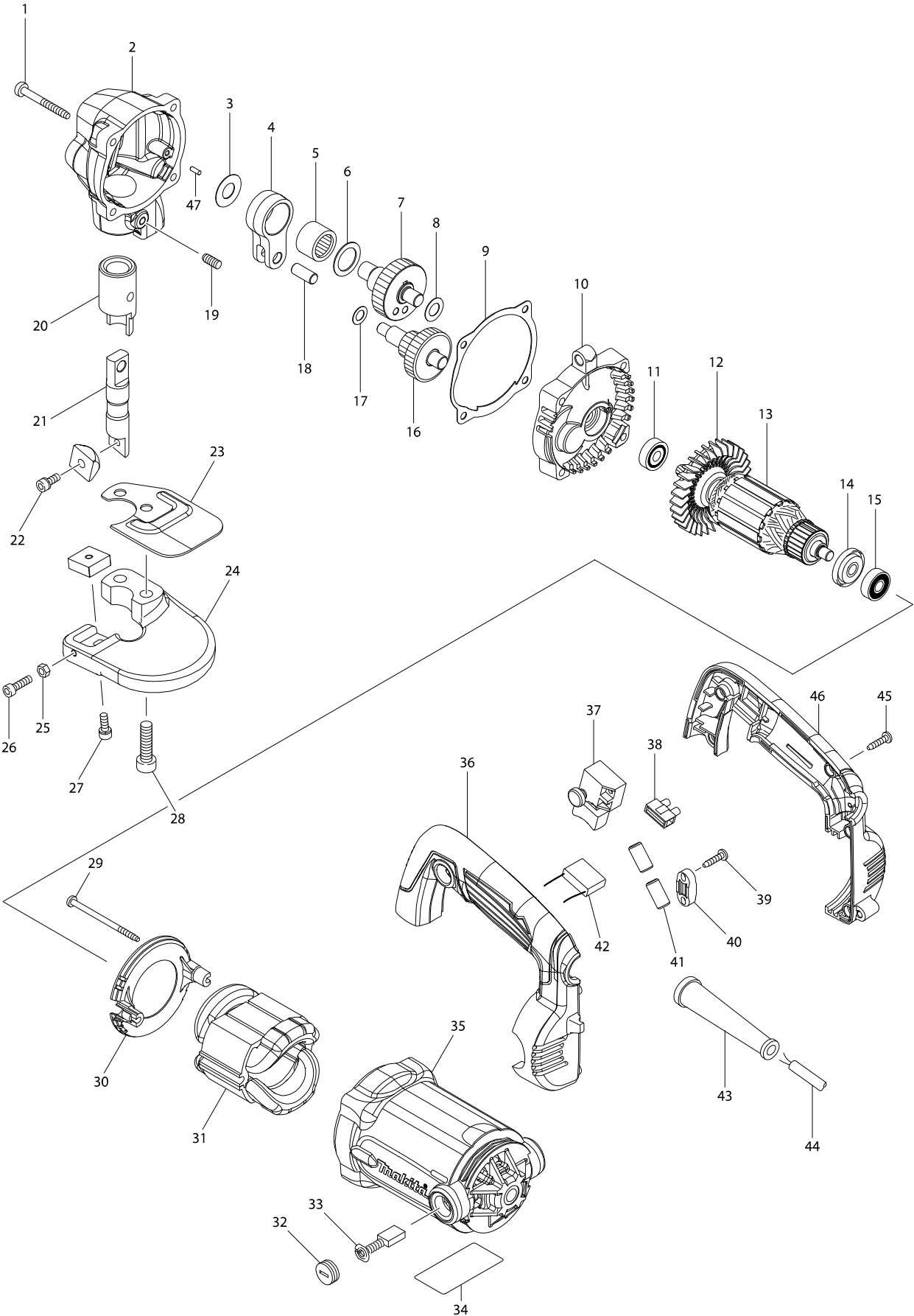


Model No. JS3201 3.2MM METAL SHEAR



Model No. JS3201 3.2MM METAL SHEAR

Item	Parts No.	Description	I/C	QTY	N/O	Opt. 1	Opt. 2	NOTE
001	266056-5	TAPPING SCREW 5X45		4		73181500		
002	141795-7	GEAR HOUSING COMPLETE		1		84679900		
C10	800S40-0	INDICATION LABEL		1		39199090		
003	253759-0	FLAT WASHER 12		1		84679900		
004	331166-8	ROD		1		73182990		
005	212252-3	NEEDLE BEARING 1816		1		84821090		
006	253198-4	FLAT WASHER 18		1		84679900		
007	153141-2	CRANK SHAFT COMPLETE		1		84679900		
C10	221879-8	SPUR GEAR 41		1		84834000		
C20	254011-9	WOODRUFF KEY 4		1		84679900		
008	253311-4	THIN WASHER 10		1		84679900		
009A	442186-8	GASKET		1	*	40169390		
009-1A	442186-8	GASKET	O	1		40169390		
009-1L	442186-8	GASKET		1		40169390		
010	141796-5	GEAR HOUSING COVER COMPLETE		1		84679900		
C10	263002-9	RUBBER PIN 4		1		40169390		
011	211031-6	BALL BEARING 608LLB		1		84821090		
012	240094-5	FAN 70		1		84145190		
013A	513859-1	ARMATURE ASS'Y 240V		1		85030090		
013L	513856-7	ARMATURE ASS'Y 115V		1		85030090		
D10		INC. 11,12,14,15						
014	681644-1	INSULATION WASHER		1		73182200		
015	210029-0	BALL BEARING 608ZZ		1		84821090		
016	226058-3	GEAR COMPLETE 18-46		1		84834000		
017	253215-0	FLAT WASHER 8		1		84679900		
018	256118-7	PIN 8		1		73182990		
019	913322-8	SET SCREW M6X14		1		73181500		
020	321405-4	METAL		1		84679900		
021	321404-6	BLADE HOLDER		1		84679900		
022	922216-6	HEX. SOCKET HEAD BOLT M5X14		1		73181500		
023	346641-1	PROTECTOR		1		82078000		
024	331165-0	YOKE		1		84679900		
025	931203-4	HEX. NUT M5		1		73181500		
026	922227-1	HEX. SOCKET HEAD BOLT M5X18		1		73181500		
027	922216-6	HEX. SOCKET HEAD BOLT M5X14		1		73181500		
028	922452-4	HEX. SOCKET HEAD BOLT M8X30		2		73181500		
029	266340-8	TAPPING SCREW 4X65		2		73181500		
030	454140-0	BAFFLE PLATE		1		73182990		
031A	525869-6	FIELD ASS'Y 240V		1		85030090		
031L	525866-2	FIELD ASS'Y 115V		1		85030090		
C10	654020-2	RING TERMINAL		2		73182990		
C20	654501-6	CONNECTOR P-1.25		2		73182990		
032A	643750-0	BRUSH HOLDER CAP 7-11		2	*	40169390		
032-1A	643515-0	HOLDER CAP 7-11	O	2		40169390		
032-1L	643515-0	HOLDER CAP 7-11		2		40169390		
033	191963-2	CARBON BRUSH CB-303		1		85452000		
034	814C79-1	JS3201 NAME PLATE		1		83100090		
035	158278-0	MOTOR HOUSING COMPLETE		1		84679900		

Model No. JS3201 3.2MM METAL SHEAR

Item	Parts No.	Description	I/C	QTY	N/O	Opt. 1	Opt. 2	NOTE
C10	643708-9	BRUSH HOLDER 5-11		2		82078000		
036	187531-7	HANDLE SET		1		84679900		
D10		INC. 46						
037	651284-9	SWITCH SGEL115CDY-6		1		85366990		
039	266326-2	TAPPING SCREW 4X18		2		73181500		
040	687052-4	STRAIN RELIEF		1		84679900		
043	682540-6	CORD GUARD 9.3-90		1	*	73182990		
043-1	682505-8	CORD GUARD 10-90	O	1				
044	665865-3	POWER SUPPLY CORD 1.0-2-2.5		1		85442090		
045	266326-2	TAPPING SCREW 4X18		5		73181500		
046	187531-7	HANDLE SET		1		84679900		
D10		INC. 36						
047	256255-7	PIN 3		1		73182990		
A01	792287-5	SHEAR BLADES SET		1		82029990		
A02	762007-1	THICKNESS GAUGE		1		90314900		
A03	783202-0	HEX. WRENCH 4		1		82041120		