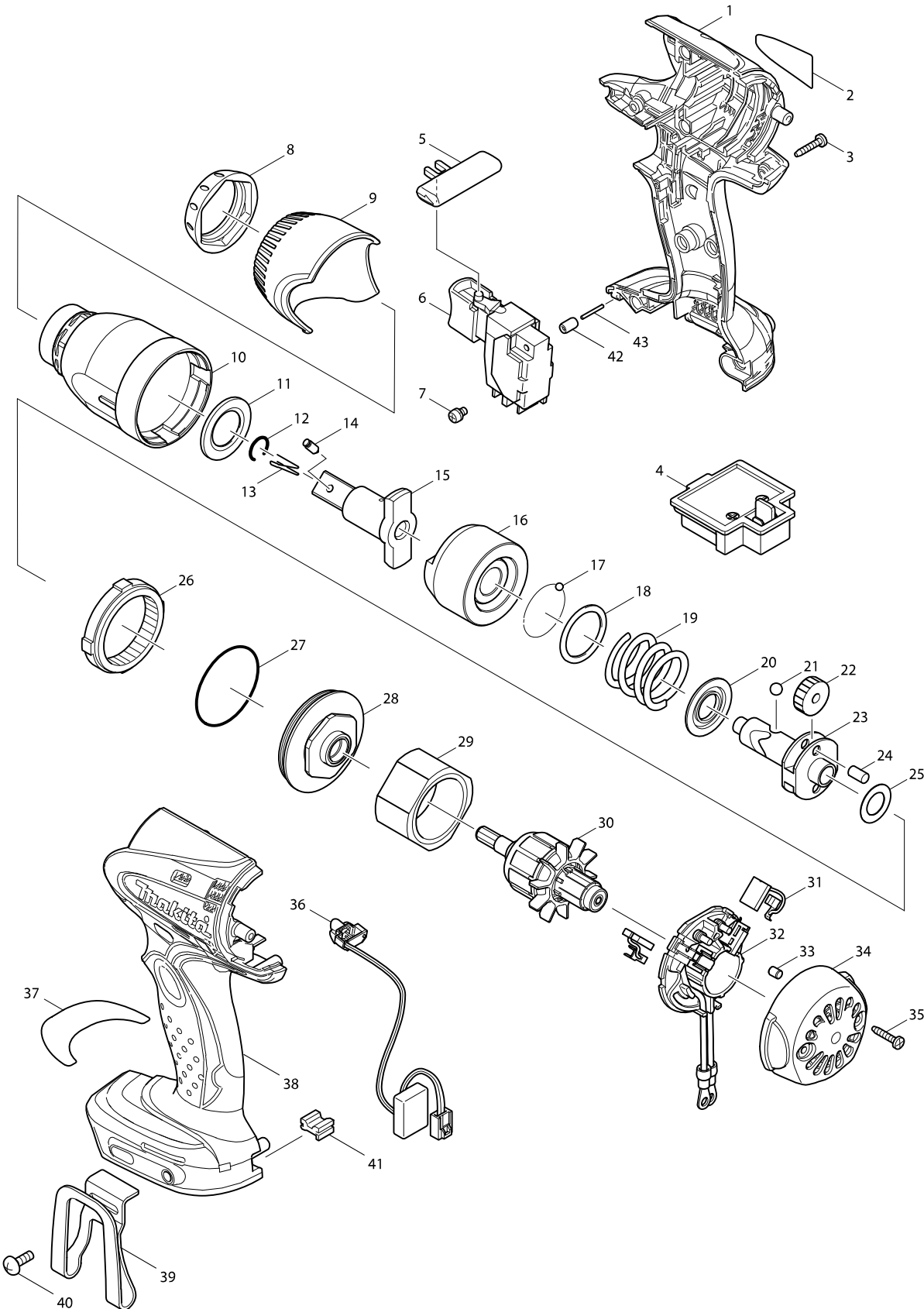


**Model No. DTW251 CORDLESS IMPACT WRENCH**



# Model No. DTW251 CORDLESS IMPACT WRENCH

Item	Parts No.	Description	I/C	QTY	N/O	Opt. 1	Opt. 2	NOTE
001	188243-5	HOUSING SET		1		84679900		
C10	263005-3	RUBBER PIN 6		2		40169390		
D10		INC. 38						
002	815E48-7	DTW251 NAME PLATE		1				
003	266130-9	TAPPING SCREW BIND PT 3X16		8		73181500		
004	643852-2	TERMINAL		1		73182990		
005	419041-9	F/R CHANGE LEVER		1		73182990		
006	650652-3	SWITCH TG553FSB-1B		1		85366990		
007	652045-0	+PAN HEAD SCREW M3.5X5		2		73181500		
008	424375-7	BUMPER		1		84679900		
009	452439-7	HAMMER CASE COVER		1		73182990		
010	140171-2	HAMMER CASE COMPLETE		1		73262090		
011	261116-8	NYLON WASHER 18		1		73182990		
012	231907-1	RING SPRING 10		1		73209090		
015	324706-9	ANVIL		1		82079090		
016	324703-5	HAMMER		1		82052000		
017	216001-0	STEEL BALL 3.5		24		73182990		
018	267175-0	FLAT WASHER 24		1		73182200		
019	234337-5	COMPRESSION SPRING 25		1		73209090		
020	267766-7	CUP WASHER 14		1		73182200		
021	216011-7	STEEL BALL 5.6		2		73182990		
022	227233-4	SPUR GEAR 22		2		84679900		
023	324220-5	SPINDLE		1		84679900		
024	256253-1	PIN 5		2		73182990		
025	267212-0	FLAT WASHER 12		1		73182200		
026	227150-8	INTERNAL GEAR 51		1		84679900		
027	213507-9	O RING 40		1		40169320		
028C	158145-9	BEARING BOX COMPLETE		1	*	84833000		
028D	158145-9	BEARING BOX COMPLETE		1	*	84833000		
028-1C	143035-9	BEARING BOX COMPLETE	O	1				
028-1D	143035-9	BEARING BOX COMPLETE	O	1				
028-1E	143035-9	BEARING BOX COMPLETE		1				
029	638495-3	YORK UNIT		1		85030090		
030	619253-6	ARMATURE		1	*	85030090		
030-1	619375-2	ARMATURE	<	1		85030090		
031	196854-2	CARBON BRUSH CB-448		1	*	85452000		
031-1	196854-2	CARBON BRUSH CB-448	S	1	*	85452000		
031-2	198887-3	CARBON BRUSH CB-5	S	1				
032	638498-7	BRUSH HOLDER COMPLETE		1	*	82078000		
032-1	632G49-0	BRUSH HOLDER COMPLETE	S	1	*	82078000		
C10	689181-9	SPACER		2	*	73182990		
D10		INC. 31			*			
032-2	632L18-1	BRUSH HOLDER COMPLETE	<	1		84679900		
D10		INC. 31						
033	263032-0	RUBBER PIN 4		2		40169390		
034	418981-8	REAR COVER		1		84679900		
035	266130-9	TAPPING SCREW BIND PT 3X16		2		73181500		
036	631693-8	LIGHT CIRCUIT		1		84679900		

Item	Parts No.	Description	I/C	QTY	N/O	Opt. 1	Opt. 2	NOTE
038	188243-5	HOUSING SET		1		84679900		
C10	263005-3	RUBBER PIN 6		2		40169390		
D10		INC. 1						
039	346317-0	HOOK		1		73182990		
040	251314-2	+ SCREW M4X12		1		73181500		
041C	424026-2	CUSHION		1	*	40169390		
041D	424026-2	CUSHION		1	*	40169390		
041-1C	424476-1	CUSHION	O	1		40169390		
041-1D	424476-1	CUSHION	O	1		40169390		
041-1E	424476-1	CUSHION		1		40169390		
042	263036-2	RUBBER PIN 5		1		40169390		
043	268184-2	PIN 1.5		1		73182990		
A01D	***DC18RC	DC18RC FAST CHARGER		1				
A01E	***DC18RC	DC18RC FAST CHARGER		1				
A02D	194204-5	BATTERY BL1830 SET		2	*	85076000		
A02-1D	194204-5	BATTERY BL1830 SET	O	2	*	85076000		
A02-1E	196399-0	BATTERY BL1840 SET		2	*			
A02-2D	197605-6	BATTERY BL1830B SET	<	2		85076000		
A02-2E	197265-4	BATTERY BL1840B SET	<	2	*	85068090		
A02-3E	198012-6	BATTERY BL1840B SET	<	2				
A03D	141205-4	PLASTIC CARRYING CASE		1				
C10	324207-7	SHAFT		1		84679900		
C20	413098-2	PLATE		4		73182990		
C30	417724-5	LATCH		2		73182990		
C40	419215-2	PLASTIC CASE LID		1		39269099		
C50	419216-0	HANDLE		1		84679900		
A03E	141205-4	PLASTIC CARRYING CASE		1				
C10	324207-7	SHAFT		1		84679900		
C20	413098-2	PLATE		4		73182990		
C30	417724-5	LATCH		2		73182990		
C40	419215-2	PLASTIC CASE LID		1		39269099		
C50	419216-0	HANDLE		1		84679900		
A04D	802V76-3	DTW251RFE PLASTIC CASE LABEL		1	*			
A04-1D	804M50-3	DTW251RFE MODEL NO. LABEL	<	1				
A04-1E	805V29-1	DTW251RME MODEL NO. LABEL		1				
A05D	450128-8	BATTERY COVER		1		39269099		
A05E	450128-8	BATTERY COVER		1		39269099		