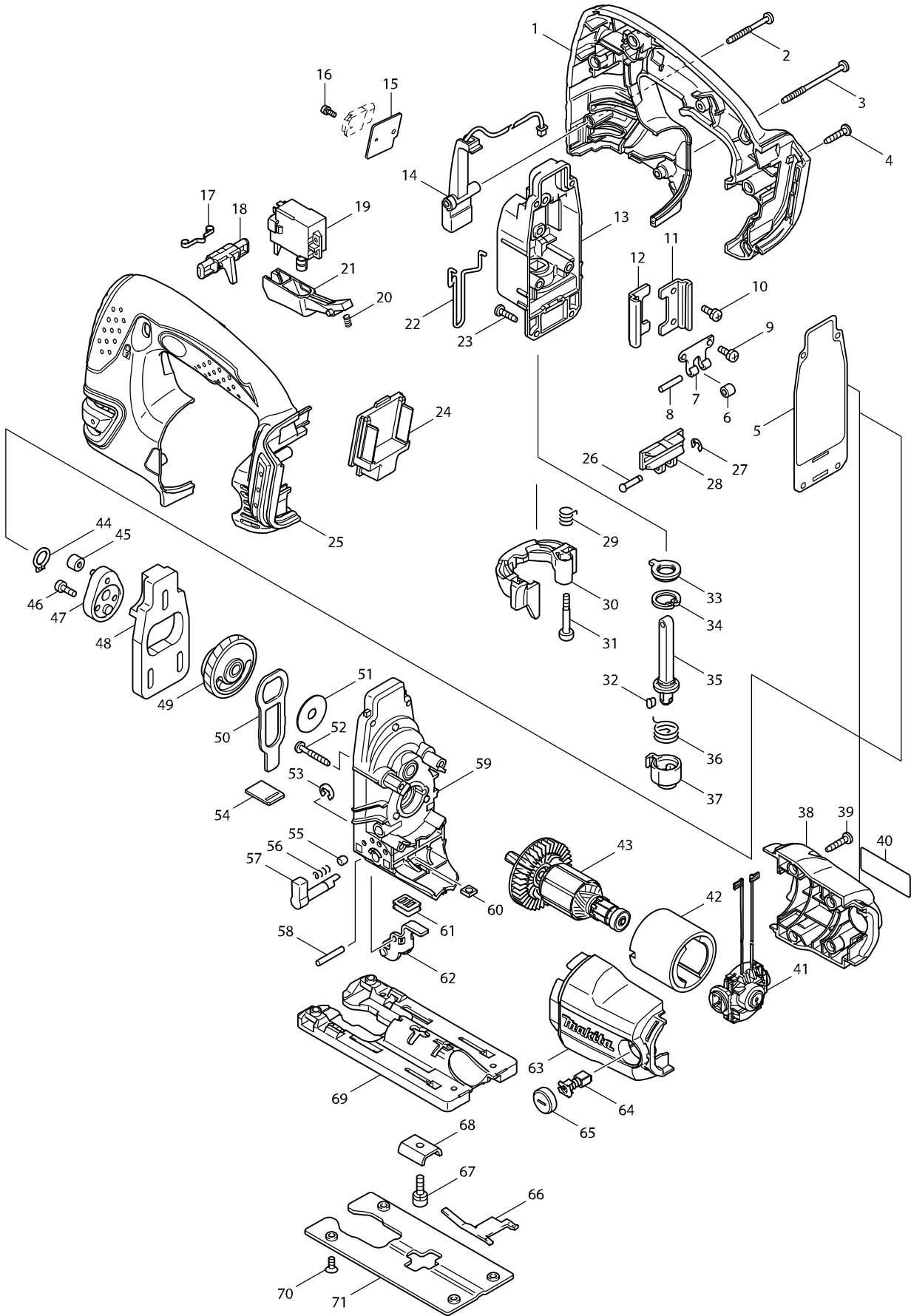


Model No. DJV180 CORDLESS JIG SAW



Model No. DJV180 CORDLESS JIG SAW

Item	Parts No.	Description	I/C	Qty	N/O	Opt. 1	Opt. 2	Note
001	187725-4	HANDLE SET		1				
D10		INC. 25						
002	266048-4	TAPPING SCREW 4X40		1				
003	266091-3	TAPPING SCREW 4X50		1				
004	265995-6	TAPPING SCREW 4X18		5				
005	442138-9	PACKING		1				
006	214031-5	PLANE BEARING 4		1				
007	232207-2	LEAF SPRING		1				
008	256117-9	PIN 4		1				
009	911111-5	PAN HEAD SCREW M4X10 WITH W		2				
010	911111-5	PAN HEAD SCREW M4X10 WITH W		2				
011	345240-6	LINEAR GUIDE		1				
012	345240-6	LINEAR GUIDE		1				
013	153338-3	GEAR HOUSING COVER COMPLETE		1				
C10	253313-0	THIN WASHER 14		1				
C20	257250-0	RING 20		1				
C30	421815-6	DUST SEAL 8		1				
014	631744-7	LIGHT CIRCUIT		1				
015	689070-8	HEAT SINK		1				
016	911006-2	PAN HEAD SCREW M3X8		1				
017	232152-1	LEAF SPRING		1				
018	419613-0	LOCK OFF BUTTON		1				
019	650650-7	SWITCH C3LA-2A-PLSRS		1				
020	233118-4	COMPRESSION SPRING 4		1				
021	419754-2	SWITCH LEVER		1				
022	324233-6	SAFETY WIRE		1				
023	266034-5	TAPPING SCREW CT 4X16		4				
024	644808-8	TERMINAL		1				
025	187725-4	HANDLE SET		1				
D10		INC. 1						
026	268090-1	PIN 4		1				
027	961017-7	STOP RING E-3		1				
028	310134-4	SLIDER		1				
029	231659-4	TORSION SPRING 6		1				
030	419820-5	TOOL OPENER		1				
031	265026-1	+ PAN HEAD SCREW M4		1				
032	310135-2	PUSH PIN		1				
033	421817-2	DUST COVER		1				
034	962068-3	RETAINING RING R-18		1				
035	165326-8	ROD		1				
036	231660-9	TORSION SPRING 15		1				
037	310136-0	BLADE HOLDER		1				
038	188208-7	MOTOR HOUSING SET		1				
D10		INC. 63						
039	265995-6	TAPPING SCREW 4X18		4				
040	815K50-6	DJV180 NAME PLATE		1				
041	638504-8	ENDBELL COMPLETE		1				
042	638373-7	YOKE UNIT		1				

Model No. DJV180 CORDLESS JIG SAW

Item	Parts No.	Description	I/C	Qty	N/O	Opt. 1	Opt. 2	Note
043	619206-5	ARMATURE		1				
044	961004-6	RETAINING RING S-8		1				
045	212092-9	NEEDLE BEARING 407		1				
046	265353-6	HEX. SOCKET HEAD BOLT M4X12		2				
047	153336-7	CRANK COMPLETE		1				
048	313108-4	BALANCE PLATE		1				
049	158168-7	GEAR COMPLETE		1				
050	345235-9	PUSH PLATE		1				
051	253877-4	FLAT WASHER 8		1				
052	266050-7	TAPPING SCREW 4X30		4				
053	961018-5	STOP RING E-5		1				
054	417839-8	SEAL PLATE		1				
055	286032-3	CAP 5		1				
056	233139-6	COMPRESSION SPRING 3		1				
057	272280-0	LEVER 17		1				
058	268063-4	PIN 4		1				
059	158169-5	GEAR HOUSING COMPLETE		1				
060	252171-1	SQUARE NUT M5-8		1				
061	421816-4	DUST SEAL		1				
062	153334-1	RETAINER COMPLETE		1				
063	188208-7	MOTOR HOUSING SET		1				
D10		INC. 38						
064	191971-3	CARBON BRUSH CB-430		1				
065	643807-7	BRUSH HOLDER CAP		2				
066	232208-0	LEAF SPRING		1				
067	922226-3	HEX. SOCKET HEAD BOLT M5X18		1				
068	345237-5	CRANK PLATE		1				
069	317565-8	BASE		1				
070	912107-9	COUNTERSUNK HEAD SCREW M4X8		4				
071	345238-3	BASE PLATE		1				
A01	415524-7	ANTI-SPLINTERING DEVICE		1				
A02	417852-6	COVER PLATE		1				
A04	A-85737	JIGSAW BLADE NO.B22		1				
A05	A-85628	JIGSAW BLADE NO.B10		1				
A06	A-85793	JIGSAW BLADE NO.BR13		1				
A07	783202-0	HEX. WRENCH 4		1				
A08C	***DC18RC	DC18RC FAST CHARGER		1				
A08E	***DC18RC	DC18RC FAST CHARGER		1				
A08F	***DC18RC	DC18RC FAST CHARGER		1				
A09C	194204-5	BATTERY BL1830 SET		2	*			
A09-1C	194204-5	BATTERY BL1830 SET	O	2	*			
A09-1E	196399-0	BATTERY BL1840 SET		2	*			
A09-2C	197600-6	BATTERY BL1830B SET	<	2				
A09-2E	197265-4	BATTERY BL1840B SET	<	2				
A09-2F	197280-8	BATTERY BL1850B SET		2				
A10C	141486-0	PLASTIC CARRYING CASE COMPLET		1				
C10	450909-0	LATCH		2				
A10E	141486-0	PLASTIC CARRYING CASE COMPLET		1				

Model No. DJV180 CORDLESS JIG SAW

Item	Parts No.	Description	I/C	Qty	N/O	Opt. 1	Opt. 2	Note
C10	450909-0	LATCH		2				
A10F	141486-0	PLASTIC CARRYING CASE COMPLET		1				
C10	450909-0	LATCH		2				
A11C	803H17-8	DJV180RFE TOOL LABEL		1				
A11D	803H19-4	DJV180Z TOOL LABEL		1				
A11E	804V09-4	DJV180RME TOOL LABEL		1				
A11F	812L17-1	DJV180RTE TOOL LABEL		1				
A12C	450128-8	BATTERY COVER		1				
A12E	450128-8	BATTERY COVER		1				
A12F	450128-8	BATTERY COVER		1				