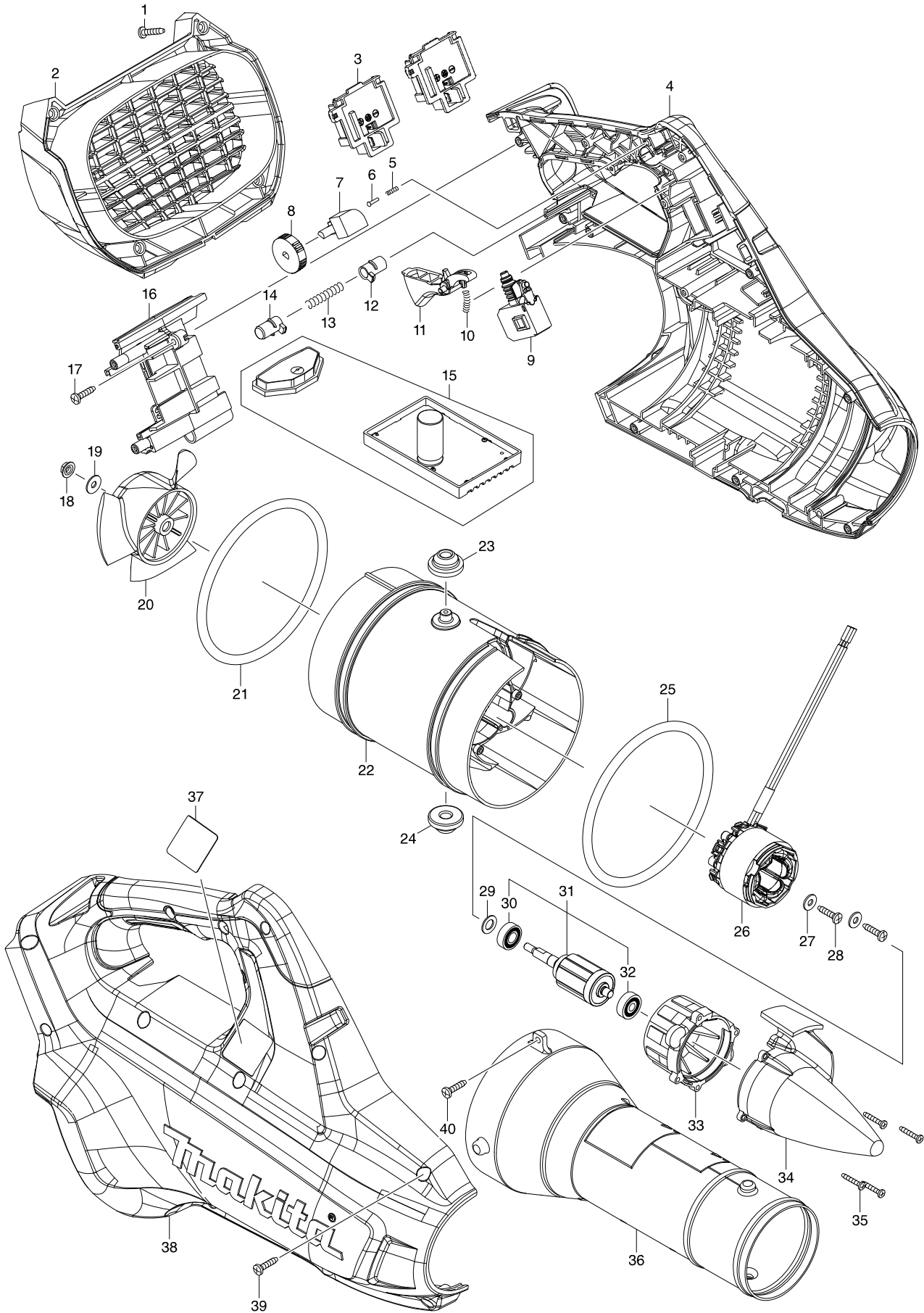


Modelo DUB362 CORDLESS BLOWER



Artículo	Código	Descripción	Interc	Cantida	N/O	Opción 1	Opción 2	Notas
001	266326-2	TORNILLO M4X18		4				
002	455912-6	REAR COVER		1				
003	644808-8	TERMINAL		2				
004	183A81-6	HOUSING SET		1				
C10	263005-3	FIJADOR 6*		2				
C20	806D81-4	CAUTION LABEL		1				
D10		INC. 38						
005	233002-3	MUELLE 3 PARA 9227CB		1				
006	255058-6	REMACHE 2		1				
007	620415-1	SUB CONTROLLER		1				
008	271427-3	DIAL REGULADOR BUH650		1				
009	650709-0	SWITCH C3JW-1A-P		1				
010	233101-1	MUELLE COMPLETO 4 PARA 4304		1				
011	455913-4	SWITCH LEVER		1	*			
011-1	458864-0	SWITCH LEVER	<	1				
012	418881-2	LOCK ON BUTTON		1				
013	233092-6	MUELLE COMP.5 P/5603R-5703R		1				
014	418881-2	LOCK ON BUTTON		1				
015	143166-4	CONTROLLER COMPLETE		1				
016	143146-0	CENTER CASE COMPLETE		1				
C10	263005-3	FIJADOR 6*		2				
017	266326-2	TORNILLO M4X18		2				
018A	264111-7	CORNED DISK SPRING HEX.NUT M5		1	*			
018B	264111-7	CORNED DISK SPRING HEX.NUT M5		1	*			
018-1A	252103-8	TUERCA M5-8*	<	1				
018-1B	252103-8	TUERCA M5-8*	<	1				
018-1C	252103-8	TUERCA M5-8*		1				
019	253194-2	ARANDELA PLANA 5*		1				
020A	240158-5	FAN 110		1	*			
020B	240158-5	FAN 110		1	*			
020-1A	240177-1	FAN 110	<	1				
020-1B	240177-1	FAN 110	<	1				
020-1C	240177-1	FAN 110		1				
021	424721-4	RUBBER RING 115		1				
022	455907-9	MOTOR HOUSING		1				
023	424194-1	RUBBER RING 8		1				
024	424194-1	RUBBER RING 8		1				
025	424721-4	RUBBER RING 115		1				
026	629153-2	STATOR DC36V		1				
027	253184-5	ARANDELA PLANA 5*		2				
028	266326-2	TORNILLO M4X18		2				
029A	253835-0	ARANDELA PLANA 8 8406C		1	*			
029B	253835-0	ARANDELA PLANA 8 8406C		1	*			
030	210040-2	BALL BEARING 698LLU		1				
031A	519366-2	ROTOR ASS'Y		1	*			
D10		INC. 30,32			*			
031B	519366-2	ROTOR ASS'Y		1	*			
D10		INC. 30,32			*			

Modelo DUB362 CORDLESS BLOWER

Artículo	Código	Descripción	Interc	Cantida	N/O	Opción 1	Opción 2	Notas
031C	519444-8	ROTOR ASS'Y		1				
D10		INC. 30,32						
031-1A	519444-8	ROTOR ASS'Y	O	1				
D10		INC. 30,32						
031-1B	519444-8	ROTOR ASS'Y	O	1				
D10		INC. 30,32						
032	210022-4	RODAMIENTO DE BOLAS 626DDW		1				
033	455908-7	MOTOR HOUSING COVER		1				
034	455909-5	CAP		1				
035	265935-4	TORNILLO M3X20		4				
036	455914-2	FRONT NOZZLE		1				
037	850U44-4	DUB362 NAME PLATE		1				
038	183A81-6	HOUSING SET		1				
C10	263005-3	FIJADOR 6*		2				
C20	806D81-4	CAUTION LABEL		1				
D10		INC. 4						
039	266326-2	TORNILLO M4X18		12				
040A	266326-2	TORNILLO M4X18		2	*			
040B	266326-2	TORNILLO M4X18		2	*			
040-1A	266300-0	TORNILLO 4X18	<	2				
040-1B	266300-0	TORNILLO 4X18	<	2				
040-1C	266300-0	TORNILLO 4X18		2				
A01A	166094-6	SHOULDER BELT		1				
A01C	166094-6	SHOULDER BELT		1				
A02	455915-0	LONG NOZZLE		1				
A04B	***DC18RC	DC18RC FAST CHARGER		1				
A04C	***DC18RD	DC18RD TWO PORT FAST CHARGER		1				
A05B	196400-1	BATTERY BL1840 SET		2	*			
A05-1B	197265-4	BATTERY BL1840B SET	<	2				
A05-1C	197280-8	BATTERY BL1850B SET		2				
A06A	456957-7	EXTENSION NOZZLE		1				
A06B	456957-7	EXTENSION NOZZLE		1				
A06C	456957-7	EXTENSION NOZZLE		1				
E01	807811-2	SOUND 96DB LABEL		1				