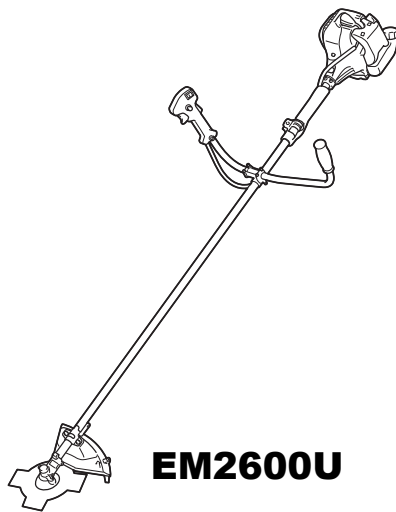




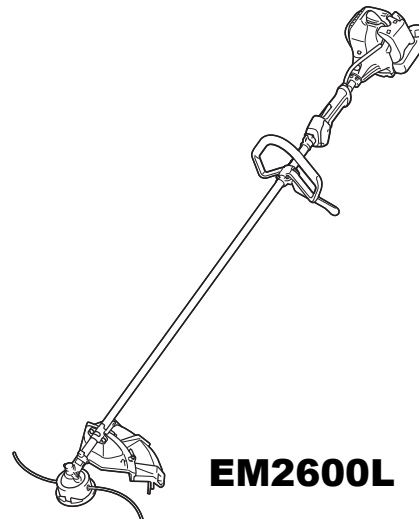
Owner's and Safety Manual for Brush Cutter/String Trimmer

Manuel d'emploi et de sécurité de la Débroussailleuse Thermique

Manual de empleo y de seguridad para Desbrozadora



EM2600U



EM2600L

WARNING! Read and understand this Manual. Always follow safety precautions in the Operator's and Safety Manual. Improper use can cause serious injury! Preserve this Manual carefully!

WARNING! FUELS WITH MORE THAN 10% ETHANOL ARE NOT APPROVED FOR USE IN MAKITA 2-STROKE ENGINES! Use of alternative fuels, such as E-20 (20% ethanol), E-85 (85% ethanol) or any fuels not meeting MAKITA requirements are not approved for use in MAKITA 2-stroke gasoline engines! USE OF ALTERNATIVE FUELS CAN CAUSE THE FOLLOWING PROBLEMS: Poor engine performance, loss of power, overheating, fuel vapor lock, improper clutch engagement, premature deterioration of fuel lines, premature deterioration of gaskets, premature deterioration of carburetors. USING ALTERNATIVE FUELS AND/OR 2-STROKE OILS NOT ACCORDING TO JASO FC OR ISO-L-EGD IN MAKITA 2-STROKE ENGINES WILL VOID YOUR ENGINE WARRANTY!

AVERTISSEMENT ! Suivez toujours les conseils de sécurité du présent manuel d'emploi et de sécurité. Une utilisation incorrecte de la tronçonneuse peut entraîner des blessures graves! Lisez et comprenez ce manuel. Conservez avec soin ce manuel!

AVERTISSEMENT ! LES CARBURANTS CONTENANT PLUS DE 10 % D'ÉTHANOL NE SONT PAS AUTORISÉS POUR L'UTILISATION DANS LES MOTEURS 2 TEMPS!

Les carburants alternatifs, tels que E-20 (20 % d'éthanol), E-85 (85 % d'éthanol) ou tout autre carburant n'étant pas conformes aux exigences MAKITA ne sont pas autorisés pour l'utilisation dans les moteurs essence à 2 temps MAKITA! L'UTILISATION DE CARBURANTS ALTERNATIFS PEUT CAUSER LES PROBLÈMES SUIVANTS: Faible performance moteur, Perte de puissance, Surchauffe, Bouchons de vapeur dans la conduite d'essence, Embayage incorrect, Détérioration prématurée des conduites d'essence, Détérioration prématurée des joints d'étanchéité, Détérioration prématurée des carburateurs. L'UTILISATION DE CARBURANTS ALTERNATIFS ET/OU D'HUILES 2 TEMPS NON-CONFORMES À LA NORME JASO FC OU ISO-L-EGD DANS LES MOTEURS À 2 TEMPS MAKITA ANNULERA VOTRE GARANTIE MOTEUR!

¡ADVERTENCIA! Observe siempre las instrucciones de seguridad contenidas en el manual. Lea y compenétrese con el contenido del manual. El uso inadecuado de la motosierra puede causar lesiones de gravedad. Conserve este manual cuidadosamente.

¡ADVERTENCIA! ¡NO SE AUTORIZAN LOS COMBUSTIBLES CON MÁS DEL 10% DE ETANOL PARA SU USO EN LOS MOTORES DE 2-TIEMPOS MAKITA!

¡El uso de combustibles alternativos, como el E-20 (20% de etanol), E-85 (85% de etanol) o cualquier otro combustible que no cumplan los requisitos de MAKITA no están autorizados para su uso en motores de gasolina de 2-tiempos MAKITA! EL USO DE COMBUSTIBLES ALTERNATIVOS PUEDE CAUSAR LOS SIGUIENTES PROBLEMAS: Pobre rendimiento del motor, Pérdida del potencia, Sobrecalentamiento, Formación de burbujas de vapor en la tubería del combustible, Acople inadecuado del embrague, Deterioro prematuro de las tuberías de combustible, Deterioro prematuro de las juntas, Deterioro prematuro del carburador. EL USO DE COMBUSTIBLES ALTERNATIVOS Y DE ACEITES PARA MOTORES DE 2-TIEMPOS DISTINTOS DE LOS DE LA NORMA JASO FC O ISO-L-EGD EN EN LOS MOTORES DE 2-TIEMPOS MAKITA ANULARÁ LA GARANTIA DEL MOTOR.

Thank you for purchasing this MAKITA brush cutter/string trimmer. MAKITA brush cutters/string trimmers are developed as a product of our many years of knowledge, experience, and a detailed development programme. Please read this booklet thoroughly to ensure you gain the best possible performance and outstanding results that your MAKITA brush cutter/string trimmer can provide.



Table of Contents	Page
Symbols	2
Safety instructions.....	3
Technical data.....	7
Names of parts.....	8
Mounting the handle	9
Mounting the protector	10
Mounting the cutter blade/nylon cutting head	11
Fuel/Refuelling	12
Correct handling.....	13
Important operating points/stopping the cutter/ trimmer	13
Resharpener the cutting tool	15
Servicing instructions	17
Storage	19

Symbols

You need to note the following symbols when reading the instructions manual.

	Read instruction Manual		Wear eye and ear protection (for string trimmer only)
	Take Particular care and Attention		Wear protective helmet, eye and ear protection (for brush cutter only)
	Forbidden		Do not use metal blades (for string trimmer only)
	Keep your distance		Maximum permissible tool speed
	Flying object hazard		Hot surfaces - Burns to fingers or hands
	No Smoking		Fuel and oil mixture
	No open flames		Engine-Manual start
	Protective gloves must be worn		Emergency stop
	Kickback		First Aid
	Keep the area of operation clear of all persons and animals		ON/START
	Wear sturdy boots with nonslip soles. Steel- toed safety boots are recommended.		OFF/STOP
			START

Safety instructions

General Instructions

- To ensure correct operation, make sure that you read and fully understand this instruction manual to familiarise yourself with how to use the brush cutter/string trimmer. Using this equipment without understanding how to operate it correctly may result in serious injury to yourself or others.
- Only lend the brush cutter/string trimmer to people who have proved experienced with brush cutter/string trimmers. Always lend them this instruction manual at the same time.
- If this is your first time using an engine powered cutter, consult your dealer for basic instructions.
- Children and young persons aged under 18 years must not be allowed to operate the brush cutter/string trimmer. Persons over the age of 16 years may use the device for training purposes, only whilst under supervision of a qualified trainer.
- Use brush cutter/string trimmers with the utmost care and attention.
- Only operate the brush cutter/string trimmer if you are in good physical condition. Perform all work calmly and carefully. Users must accept responsibility for those around them.
- Never use the brush cutter/string trimmer after consumption of alcohol or medicines, or if you are feeling tired or ill.

WARNING: This machine produces an electromagnetic field during operation. This field may under some circumstances interfere with active or passive medical implants. To reduce the risk of serious or fatal injury, we recommend persons with medical implants to consult their physician and the medical implant manufacturer before operating this machine.

Intended use of the equipment

- The brush cutter/string trimmer is only intended for cutting grass, weeds, bush and other such undergrowth, and should not be used for any other purpose such as edging or hedge cutting as this may cause injury.

Personal protective equipment

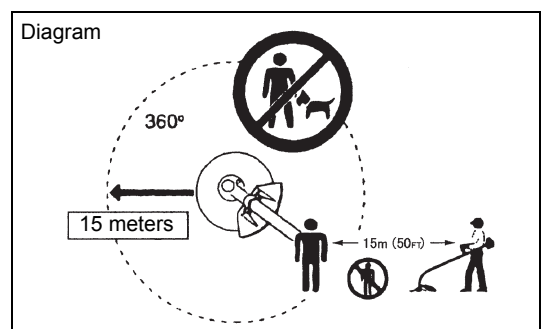
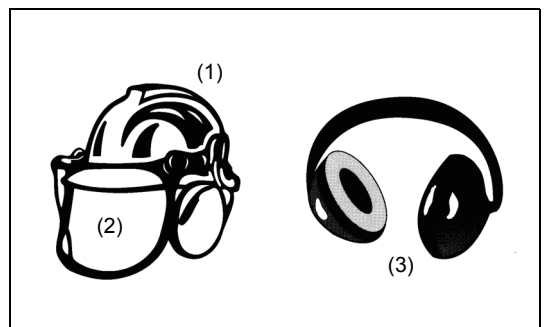
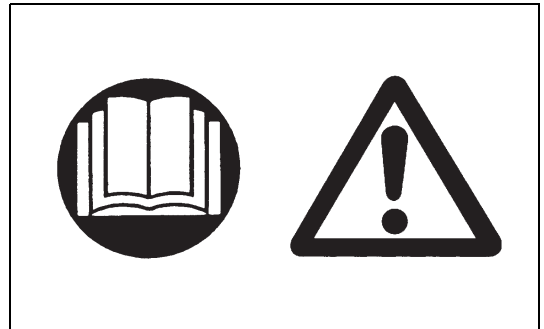
- Always wear clothing that is both functional and appropriate to your work, i.e. tight-fitting, but not so tight as to cause uncomfortable movement. Do not wear either jewelry or clothing which could become entangled with bushes or shrubs.
- In order to avoid head, eye, hand, or foot injuries, as well as to protect your hearing during operation, the following protective equipment and protective clothing must be used while using the brush cutter/string trimmer.
- Always wear a helmet where there is a risk of falling objects. The protective helmet (1) is to be checked at regular intervals for damage and is to be replaced at the latest after 5 years. Use only approved protective helmets.
- The visor (2) of the helmet (or alternatively goggles) protects the face from flying debris and stones. During operation of the brush cutter/string trimmer, always wear goggles or a visor to prevent eye injuries.
- Wear adequate noise protection equipment to avoid hearing impairment (ear muffs (3), ear plugs etc.).
- Work overalls (4) protect against flying stones and debris. We strongly recommend that you wear work overalls.
- Special gloves (5) made of thick leather are part of the prescribed equipment and must always be worn during operation of the brush cutter/string trimmer.
- When using the brush cutter/string trimmer, always wear sturdy shoes (6) with a non-slip sole. Such shoes protect against injuries and ensure good footing.

Residual risks

- Even when the machine is used as prescribed it is not possible to eliminate all residual risk factors. The following hazards may arise in connection with the machine's construction and design:
 1. Damage to lungs if an effective dust mask is not worn.
 2. Damage to hearing if effective hearing protection is not worn.
 3. Damages to health resulting from vibration emission if the machine is being used over longer period of time or not adequately managed and properly maintained.

Starting the brush cutter

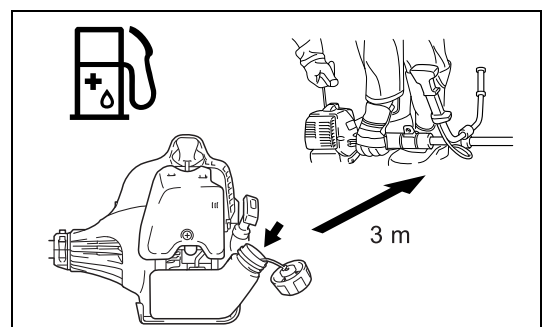
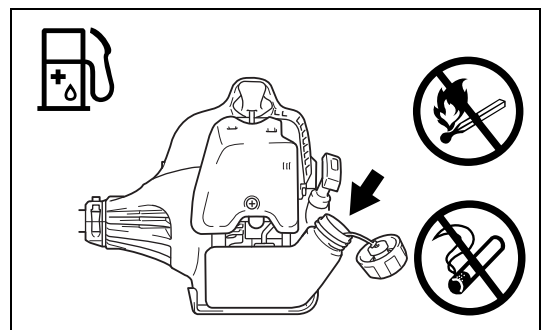
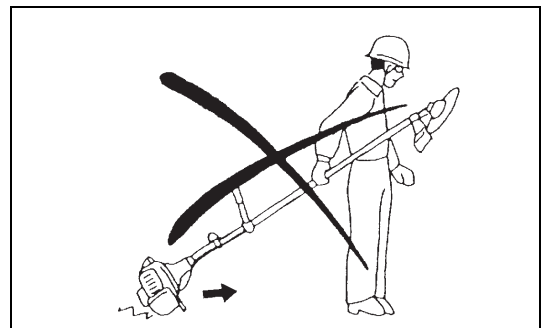
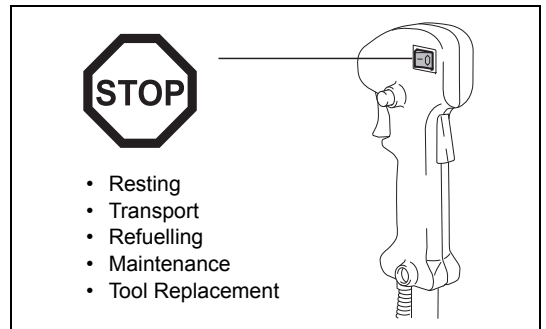
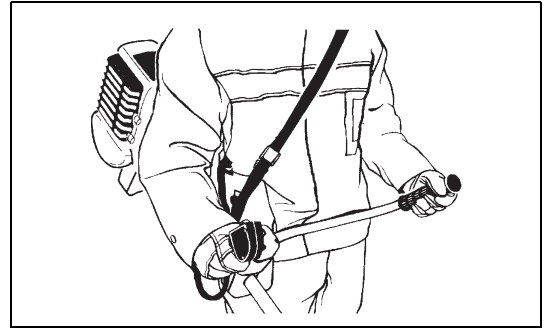
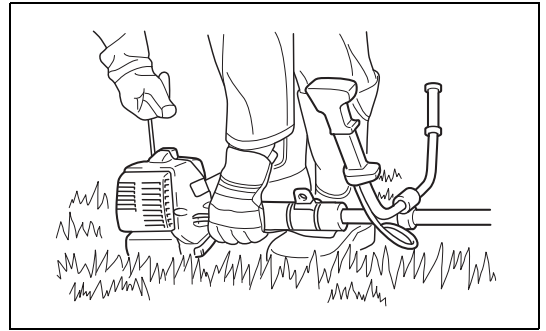
- Make sure that there are no children or other people within a working range of 15 meters (50ft), also pay attention to any animals in the working vicinity.
- Before use, always check that the brush cutter/string trimmer is safe for operation:
 - Check that the cutting tool is secure, that the control lever can be operated easily, and that the control lever lock is functioning correctly.
- Rotation of the cutting tool during idling is prohibited. Check with your dealer if you think the equipment may need adjusting. Check to make sure that the handles are clean and dry, and that the start/stop switch is functioning correctly.



- Start the brush cutter/string trimmer only in accordance with the instructions. Do not use any other methods to start the engine!
- Only use the brush cutter/string trimmer and tools for the specified purposes.
- Only start the brush cutter/string trimmer engine after the equipment is fully assembled. Do not operate the equipment until all of the appropriate accessories are attached!
- Before starting, make sure that the cutting tool is not in contact with hard objects such as branches, stones etc. as the cutting tool will rotate when starting.
- Switch off the engine immediately if any type of engine problem occurs.
- Should the cutting tool hit stones or other hard objects, immediately switch off the engine and inspect the cutting tool.
- Inspect the cutting tool at short regular intervals for damage (inspect for hairline cracks using the tapping test).
- Only operate the brush cutter/string trimmer after attaching and adjusting the shoulder strap to the correct length. The shoulder strap must be adjusted to the user's size and fastened to prevent fatigue during operation of the equipment. Never hold the cutter with one hand during operation.
- During operation, always hold the brush cutter/string trimmer with both hands. Always ensure you are on safe footing.
- Operate the brush cutter/string trimmer in such a manner as to avoid inhalation of the exhaust gases. Never run the engine in an enclosed space such as inside a room (risk of gas poisoning). Carbon monoxide is an odorless gas.
- Always switch off the engine when resting, or if you intend to leave the brush cutter/string trimmer unattended, and place it in a safe location to prevent injury to other people and damage to the equipment.
- Never put the hot brush cutter/string trimmer onto dry grass or onto any other combustible materials.
- The cutting tool must always be equipped with the appropriate guard. Never run the cutter without this guard!
- All protective installations and guards supplied with the equipment must be used during operation.
- Never operate the engine if the exhaust muffler is faulty.
- Shut off the engine during transport.
- When transporting the equipment, always attach the cover to the cutting blade.
- Ensure the brush cutter/string trimmer is positioned safely during transport to avoid fuel leakage.
- When transporting the brush cutter/string trimmer, ensure the fuel tank is completely empty.
- When unloading the brush cutter/string trimmer from a truck or other such vehicle, never drop the engine to the ground, as doing so may severely damage the fuel tank.
- Unless in an emergency, never drop or cast the brush cutter/string trimmer to the ground as doing so may severely damage the brush cutter/string trimmer.
- Always lift the entire equipment from the ground when moving it. Dragging the equipment on its fuel tank is extremely dangerous and may cause fuel to leak, which may cause fire.
- If the equipment gets heavy impact or fall, check the condition before continuing work. Check the fuel system for fuel leakage and the controls and safety devices for malfunction. If there is any damage or doubt, ask our authorized service center for the inspection and repair.

Refuelling

- Shut off the engine during refuelling, keep away from open flames and do not smoke during refuelling.
- Ensure mineral oil products do not come into contact with skin. Do not inhale the fuel vapor. Always wear protective gloves during refuelling. Change and clean protective clothing at regular intervals.
- To prevent soil contamination (environmental protection), make sure you do not spill fuel or oil on the ground. If you do spill fuel, clean the brush cutter/string trimmer immediately.
- Make sure fuel does not come into contact with your clothing. If fuel does come into contact with your clothing, change your clothing immediately to prevent fire.
- Inspect the fuel cap at regular intervals to make sure that it can be securely fastened and does not leak.
- Carefully tighten the fuel tank cap. Once refuelling is complete, move to a location at least 3 meters away from where you refuelled before starting the engine.
- Never refuel in an enclosed space such as inside a room. Doing so may cause an explosion due to the accumulation of fuel vapor at ground level.



- Only transport and store fuel in approved containers. Make sure stored fuel is not accessible to children.

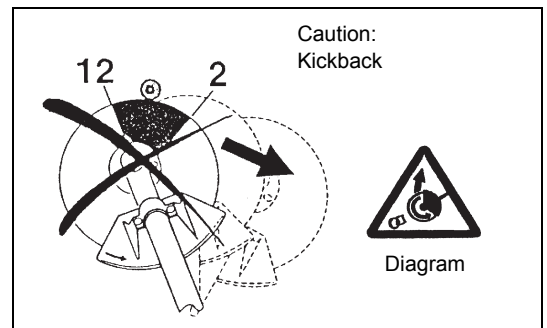
Method of operation

- Only use the brush cutter/string trimmer in good light and visibility. During the winter season, beware of slippery or wet areas such as icy or snow-covered areas (risk of slipping). Always ensure you are on safe footing.
- Never cut above waist height.
- Never stand on a ladder while using the brush cutter/string trimmer.
- Never climb up into trees to use with the brush cutter/string trimmer.
- Never work on unstable surfaces.
- Remove sand, stones, nails etc. found within the working range. Foreign objects may damage the cutting tool and can cause dangerous kickbacks.
- Before starting to cut, make sure the cutting tool has reached full working speed.
- If grass or branches get caught between the cutting tool and guard, always stop the engine before cleaning. Otherwise unintentional blade rotation may cause serious injury.
- Take a rest to prevent loss of control caused by fatigue. We recommend to take a 10 to 20-minute rest every hour.



Kickback (blade thrust)

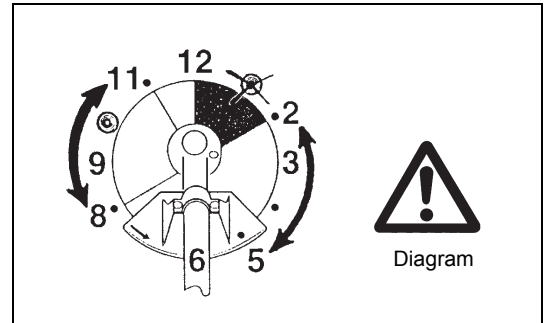
- When operating the brush cutter, uncontrolled kickbacks may occur.
- Kickbacks occur frequently when attempting to cut with the 12 to 2 o'clock section of the blade.
- Never apply the 12 to 2 o'clock section of the brush cutter blade.
- Never apply this section of the brush cutter blade to solid objects, such as bushes or trees etc. that have a diameter greater than 3 cm. Doing so will cause the brush cutter to deflect with a large amount of force, which is extremely dangerous and may cause injury.



Kickback prevention

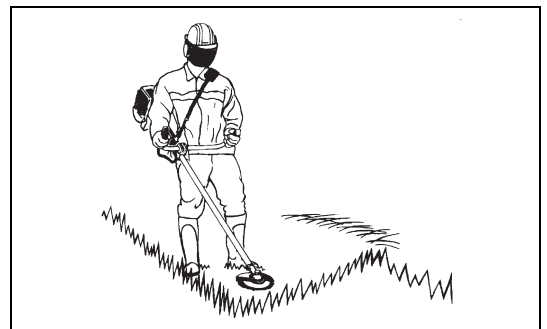
To avoid kickbacks, remember the following:

- Using the 12 to 2 o'clock section of the blade is extremely hazardous, especially when using metal cutting tools.
- Cutting operations using the 11 to 12 o'clock section and 2 to 5 o'clock section of the blade must only be performed by trained and experienced operators, and then only at their own risk.
The optimum cutting section for easy cutting with almost no kickback is between the 8 to 11 o'clock section of the blade.



Cutting Tools

- Use an applicable cutting tool for the job in hand.
Nylon cutting heads (string trimmer heads) are suitable for trimming lawn grass.
Metal blades are suitable for cutting weeds, high grasses, bushes, shrubs, underwood, thicket, and the like.
Never use other blades including metal multi-piece pivoting chains and flail blades. Otherwise serious injury may result.
- When using metal blades, avoid "kickback" and always prepare for an accidental kickback. See the section "Kickback" and "Kickback prevention".



Maintenance instructions

- Have your equipment serviced by our authorized service center, always using only genuine replacement parts. Incorrect repair and poor maintenance can shorten the life of the equipment and increase the risk of accidents.
- Always check the condition of the cutter, in particular the cutter protective devices and shoulder strap, before commencing work. Particular attention should also be paid to the cutting blades, which must be correctly sharpened.
- Turn off the engine and remove the spark plug connector when replacing or sharpening cutting tools, and also when cleaning the cutter or cutting tool.

Never straighten or weld damaged cutting tools.

- Operate the brush cutter/string trimmer with as little noise and contamination as possible. In particular, check that the carburetor is set correctly.
- Clean the brush cutter/string trimmer at regular intervals and check that all screws and nuts are well tightened.
- Never service or store the brush cutter/string trimmer in the vicinity of naked flames.
- Always store the brush cutter/string trimmer in locked rooms and with an emptied fuel tank.
- When cleaning, servicing and storing the equipment, always attach the cover to the cutting blade.

Observe the relevant accident prevention instructions issued by the relevant trade associations and insurance companies.
Do not perform any modifications on the brush cutter/string trimmer, as doing so will endanger your safety.

The performance of maintenance or repair work by the user is limited to those activities described in the instruction manual. All other work is to be done by an Authorized Service Agent. Use only genuine spare parts and accessories released and supplied by MAKITA.

Using non-approved accessories and tools will cause an increased risk of accidents.

MAKITA will not accept any liability for accidents or damage caused by the use of non-approved cutting tools, fixing devices of cutting tools, or accessories.

First Aid

In case of accident, make sure that a first-aid box is available in the vicinity of the cutting operations. Immediately replace any item taken from the first aid box.

When asking for help, please give the following information:

- Place of the accident
- What happened
- Number of injured persons
- Kind of injuries
- Your name

Vibration

- People with poor circulation who are exposed to excessive vibration may experience injury to blood vessels or the nervous system. Vibration may cause the following symptoms to occur in the fingers, hands or wrists: "Falling asleep" (numbness), tingling, pain, stabbing sensation, alteration of skin color or of the skin. If any of these symptoms occur, see a physician!
- To reduce the risk of "white finger disease", keep your hands warm during operation and well maintain the equipment and accessories.



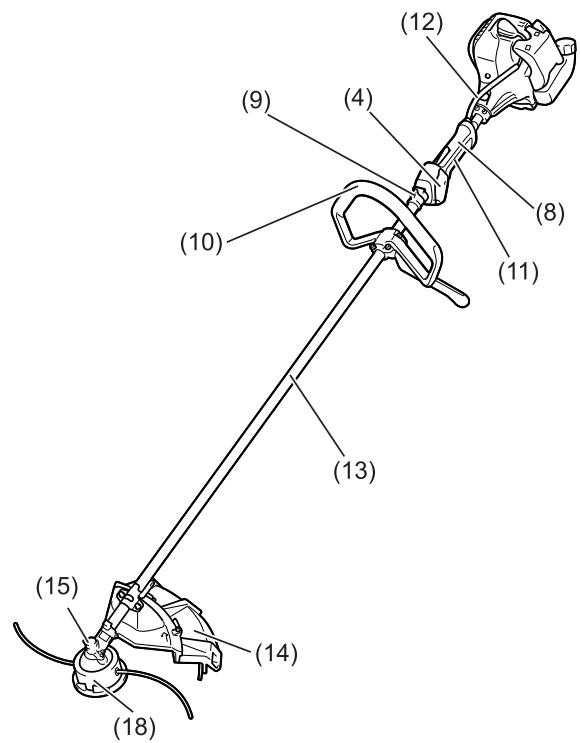
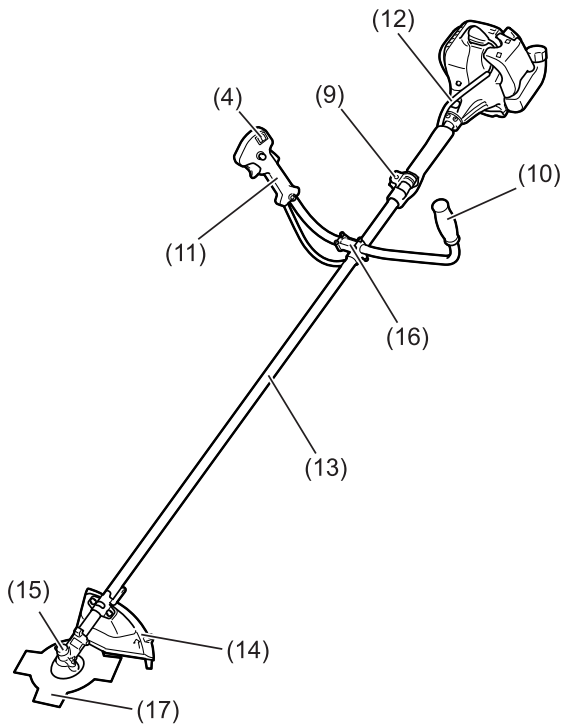
Technical data

Model		EM2600U	EM2600L
		U handle	Loop handle
Dimensions: length x width x height (without cutting blade)		1,770 x 610 x 410 mm (69-3/4 x 24 x 16-1/8")	1,770 x 330 x 185mm (69-3/4 x 13 x 7-1/4")
Net Weight		5 kg (11 lbs)	5 kg (11 lbs)
Engine displacement		25.7 cm ³ (1.57 cu. in.)	
Maximum engine performance		0.83 kW	
Maximum rotational frequency of the spindle		8,800/min	
Cutting attachment	Single piece metal blade	φ230 mm (9")	
	String trimmer head	φ430 mm (17")	
Idling speed		3,000/min	
Clutch engagement speed		4,100/min	
Gear ratio		14/19	
Fuel		Mixed gas Gasoline: Two-stroke Engine Oil = 50:1	
Volume (fuel tank)		0.6 L (36.6 cu. in.)	
Carburetor		WALBRO WYC	
Spark plug		NGK BPMR7A	
Electrode gap		0.6 - 0.7 mm (0.024 - 0.028")	

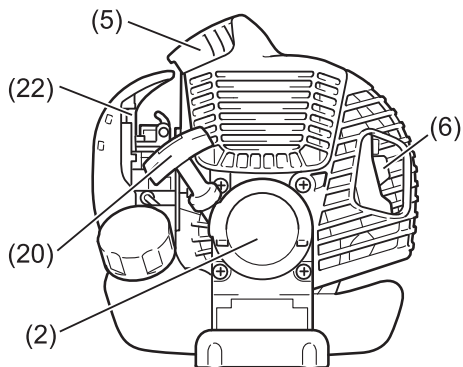
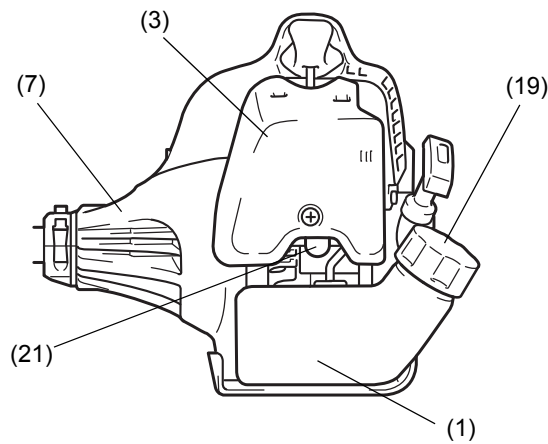
(For Canada) NOTE: This spark ignition system complies with the Canadian standard ICES-002.

Names of parts

EM2600U U Handle Type



EM2600L Loop Handle Type



Names of parts	
1	Fuel Tank
2	Rewind Starter
3	Air Cleaner
4	I-Stop Switch (on/off)/Start-Stop Switch
5	Spark Plug
6	Exhaust Muffler
7	Clutch Case
8	Rear Grip
9	Hanger
10	Handle
11	Control Lever
12	Control Cable
13	Shaft
14	Protector (Cutting tool guard)
15	Gear Case
16	Handle Holder
17	Cutter Blade
18	Nylon Cutting Head
19	Fuel Filler Cap
20	Starter Knob
21	Primer Pump
22	Choke Lever

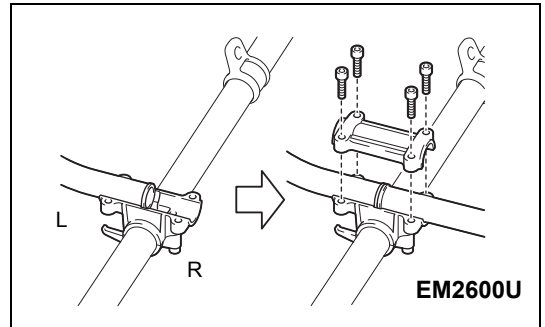
Mounting the handle

- CAUTION: Before doing any work on the brush cutter, always stop the engine and disconnect the spark plug connector from the spark plug.
Always wear protective gloves!
- CAUTION: Ensure you have reassembled the brush cutter completely before starting it.

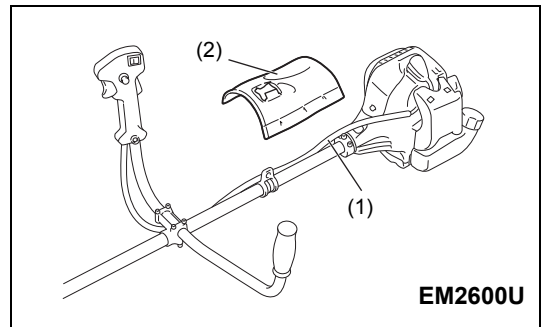


For U handle models

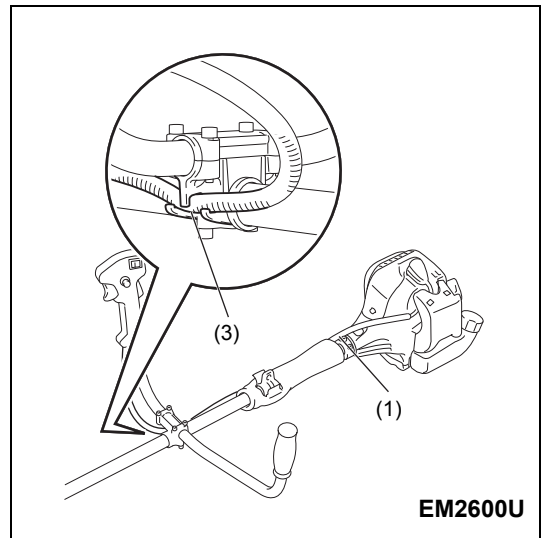
- Place the two handles onto the handle holder. The control lever must come right side when you look towards the cutting tool.
- Fit the handle ends to the groove on the handle holder and fit the clamp on them. Loosely tighten them with four bolts for adjustment.
- Adjust handles' angle, and then tighten all bolts evenly by a hex wrench.



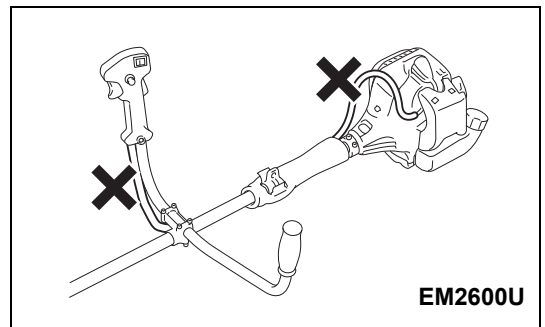
- Place the throttle cable (1) to the control lever side of the shaft. And then wrap them with the waist pad (2).



- Insert the throttle cable (1) into the clamping slot (3) of the handle holder.
- Make sure the throttle cable is positioned as shown.
- Operate the control lever and make sure it moves smoothly.

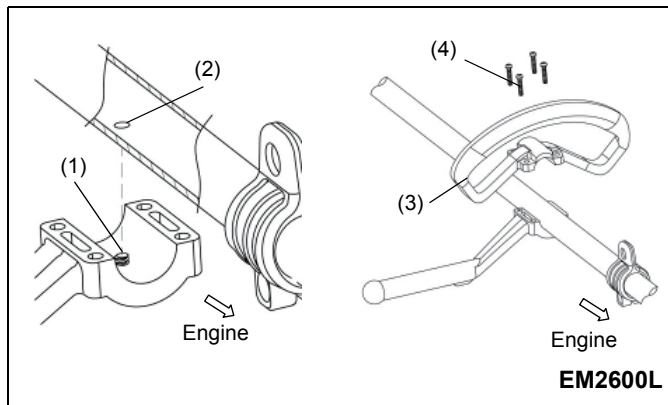


- CAUTION: Do not position the throttle cable as shown. Otherwise curved cable may cause high idle speed, and uncontrollable blade may cause personal injury.



For loop handle model

- Put the thread (1) on handle holder into the location hole (2) on tube.
- Fix the assistant handle (3) onto the barrier.
- Tighten the 4 bolts (4) M5 x 30.

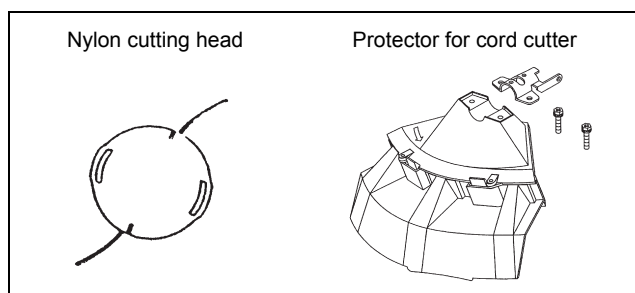
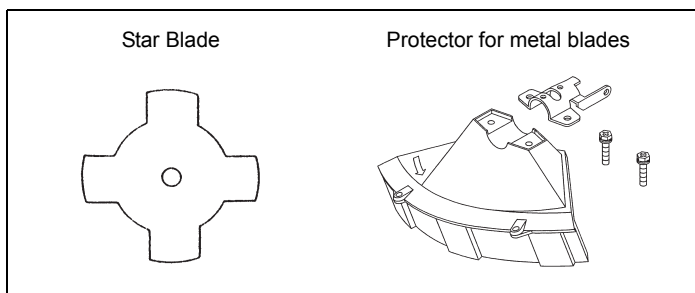


Mounting the protector

To meet the applicable safety standards, you must only use the tool/protector combinations indicated in the table.

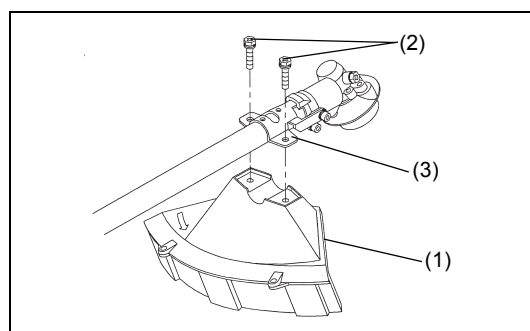
Always use genuine MAKITA cutter blades/nylon cutting head.

- The cutter blade must be well polished, and free of cracks or breakages. If the cutter blade hits against a stone during operation, stop the engine and check the blade immediately.
- Polish or replace the cutter blade every three hours of operation.
- If the nylon cutting head hits against a stone during operation, stop the engine and check the nylon cutting head immediately.

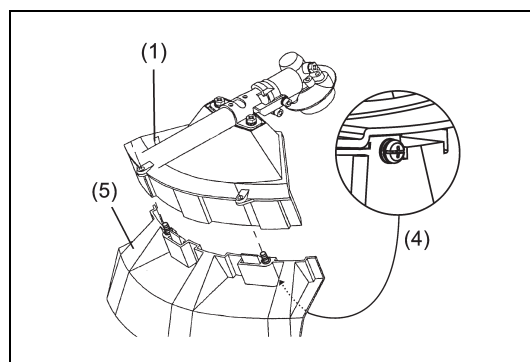


CAUTION: The appropriate protectors must always be installed for your own safety and in order to comply with accident-prevention regulations. Operation of the equipment without the guard installed is prohibited.

- Fix the protector (1) to the clamp (3) with two M6 x 30 bolts (2).



- When using the nylon cutting head, fit the protector (5) into the protector (1), and tighten them with two screws (4).

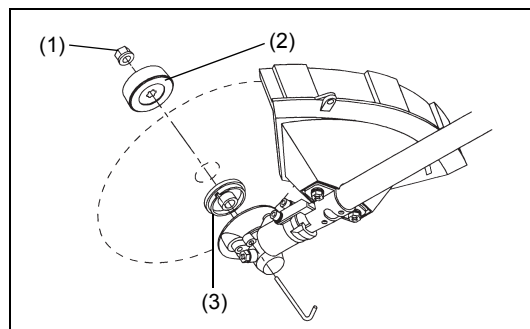


Mounting the cutter blade/nylon cutting head

The cutter blade or nylon cutting head can be replaced easily by first turning the equipment upside down.



- Insert the hex wrench through the hole in the gear case and rotate the receiver washer (3) until it is locked with the hex wrench.
- Loosen the nut/spring washer (1) (left-hand thread) with the socket wrench, and remove the nut/spring washer (1) and clamp washer (2).



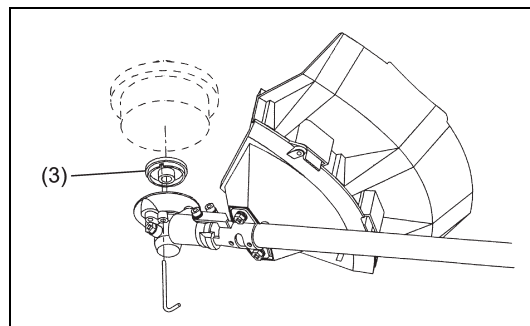
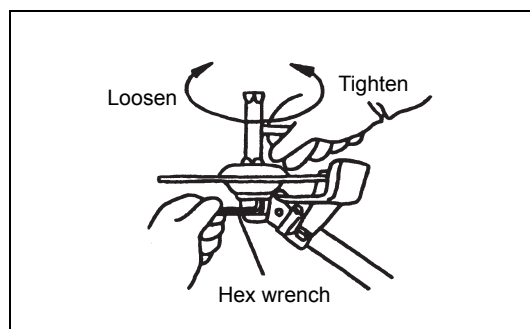
With the hex wrench still in place

- Mount the cutter blade onto the shaft so that the guide of the receiver washer (3) fits in the arbor hole in the cutter blade. Install the clamp washer (2) and secure the cutter blade with the nut/spring washer (1). [Tightening torque: 13 - 23 N-m]

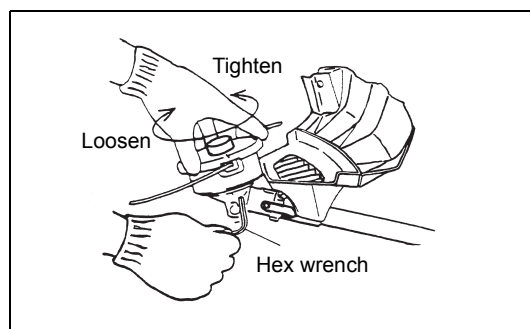
NOTE: Always wear gloves when handling the cutter blade.

NOTE: The cutter blade-fastening nut (with spring washer) is a consumable part. If there appears any wear or deformation on the spring washer, replace the nut.

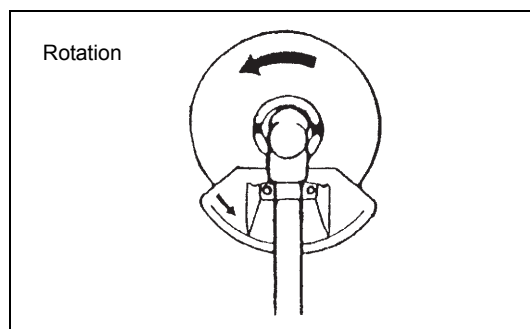
NOTE: The clamp washer (2), and nut/spring washer (1) are not necessary for mounting the nylon cutting head. The nylon head should go on top of the receiver washer (3).



- Screw the nylon cutting head onto the shaft.



- Make sure that the blade rotates counterclockwise.





Handling fuel

Utmost care is required when handling fuel. Fuel may contain substances similar to solvents. Refuel either in a well ventilated room or outdoors. Do not inhale fuel vapors, and avoid any contact of fuel or oil with your skin.

Mineral oil products degrease your skin. Prolonged skin contact with these products will cause your skin to become extremely dry, which may result in various kinds of skin disease. In addition, allergic reactions may occur.

Eyes can be irritated by contact with oil. If oil comes into your eyes, immediately wash them with clear water. If your eyes are still irritated, see a doctor immediately.



Fuel and oil mixture

The brush cutter engine is a high-efficiency two-stroke engine. It runs on a mixture of fuel and two-stroke engine oil. The engine is designed for unleaded regular fuel with a min. octane value of 91 RON.

To obtain optimum engine performance and to protect your health and the environment, use only unleaded fuel!

To lubricate the engine, add two-stroke engine oil (quality grade: JASO FC or ISO EGD) to the fuel. The engine has been designed to use the specified two-stroke engine oil at mixture ratio of 50:1 to protect the environment.

Additionally, long service life accompanied by reliable operation and minimum emissions are guaranteed through the use of this mixture ratio. Reliable functioning of the brush cutter cannot be guaranteed unless this mixture ratio of 50:1 (specified 2-stroke engine oil) is strictly observed.



Correct mixture ratio:

Gasoline: Specified two-stroke engine oil = 50 : 1 or

Gasoline: Other manufacturer's two-stroke engine oil = 25 : 1 recommended

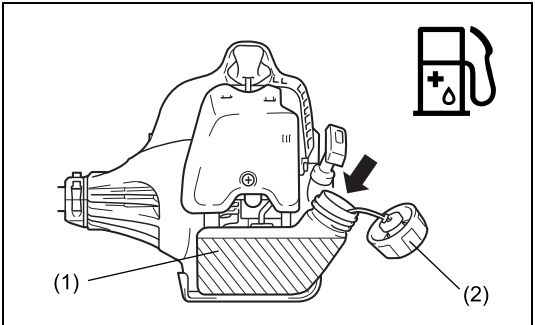
NOTE: To prepare the fuel-oil mixture, first mix the entire oil quantity with half of the fuel required, then add the remaining fuel. Thoroughly shake the mixture before pouring it into the brush cutter tank. To ensure safe operation, do not add more engine oil than the specified amount. Doing so will only result in a higher production of combustion residues which pollute the environment and clog the exhaust channel in the cylinder as well as the muffler. In addition, the fuel consumption will rise and the performance will decrease.

Gasoline	50:1	25:1
	+	
1,000 cm ³ (1 liter)	20 cm ³	40 cm ³
5,000 cm ³ (5 liter)	100 cm ³	200 cm ³
10,000 cm ³ (10 liter)	200 cm ³	400 cm ³

Refuelling

The engine must be switched off.

- Thoroughly clean the area around the fuel filler cap (2) to prevent dirt from getting into the fuel tank (1).
- Unscrew the fuel filler cap (2) and fill the tank with fuel.
- Tightly screw on the fuel filler cap (2).
- Clean the screw fuel filler cap (2) and tank after refueling.



Storage of Fuel

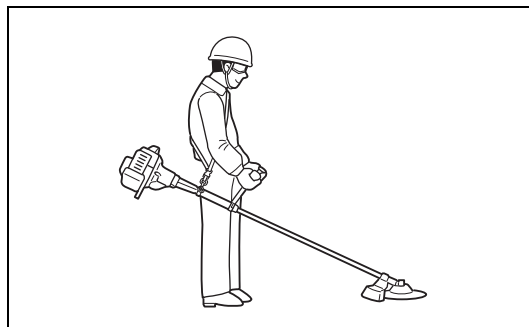
Fuel cannot be stored for an unlimited period of time.

Purchase only the quantity required for a 4-week operating period. Only use approved fuel storage containers.

Correct handling

Attachment of shoulder strap

- Adjust the strap length so that the cutter blade is kept parallel with the ground.



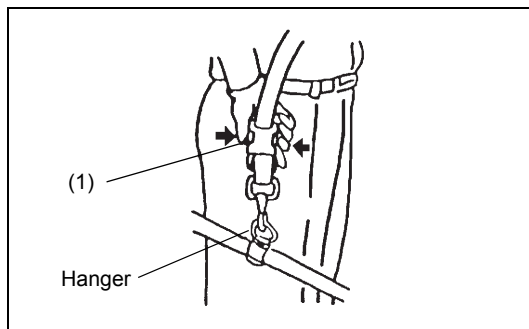
Detachment

- In case of emergency, push the notches (1) at both sides, and detach the equipment.

Be extremely careful to maintain control of the equipment at this time. Do not allow the equipment to be deflected toward you or anyone in your vicinity.

WARNING: Failure to maintain complete control of the machine at all could result in serious injury or DEATH.

Note: In some countries, shoulder strap does not have this detachment function.



Important operating points/stopping the cutter/trimmer

Observe the applicable accident prevention regulations.



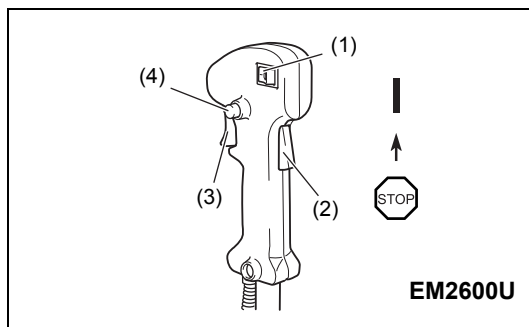
Starting

Move at least 3 m away from the area where you refuelled the equipment. Place the brush cutter on a clean piece of ground taking care that the cutting tool does not come into contact with the ground or any other objects.

WARNING: Pay attention that the cutting tool rotates immediately after the engine starts.

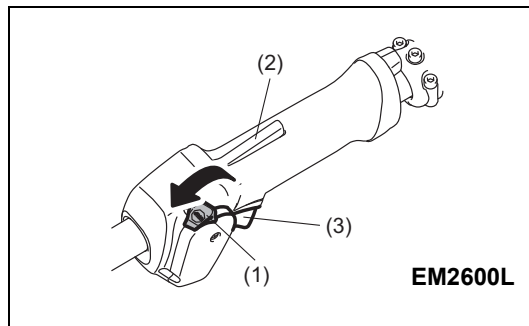
Cold start for U handle models

- Set the I-Stop Switch (on/off) (1) as illustrated.
- Grasp the handle (hand pressure activates the safety lock-off lever (2)).
- Press the throttle lever (3) and hold it down.
- Press the lock button (4) and release the control lever, and then release the lock button (the lock button holds the throttle lever in the start-up position).



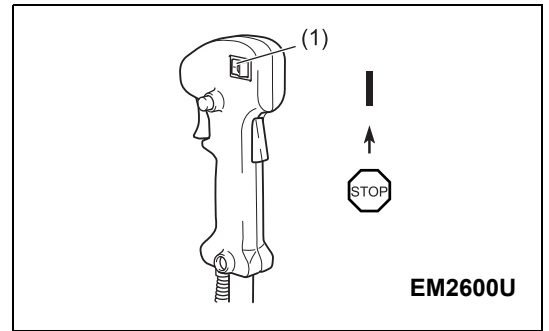
Cold start for loop handle models

- Set the Start-Stop Switch (1) to start position as illustrated.
- Grasp the handle (hand pressure activates the safety lock-off lever (2)).
- Press the throttle lever (3) and hold it down.
- Set the Start-Stop Switch (1) to start position and release the control lever, and then release the Start-Stop Switch (the Start-Stop Switch holds the throttle lever in the start-up position).



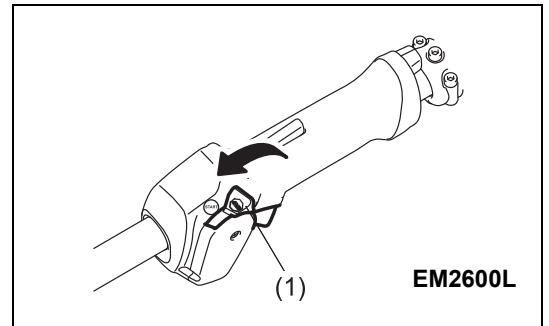
Warm start for U handle models

- Set the I-Stop Switch (on/off) (1) as illustrated.

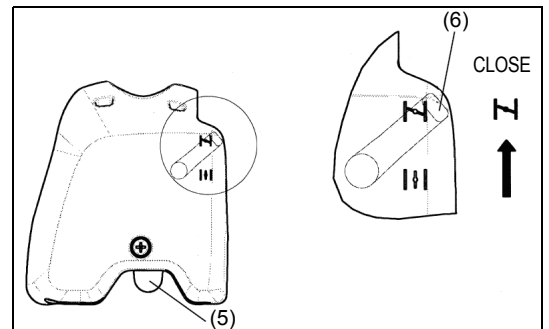


Warm start for loop handle models

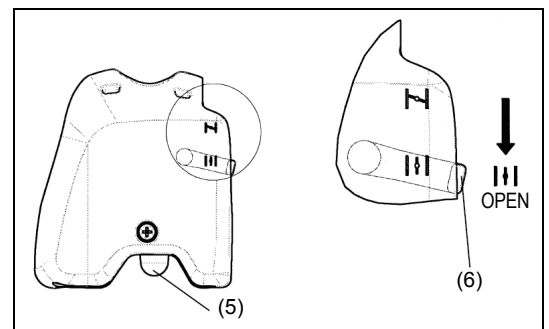
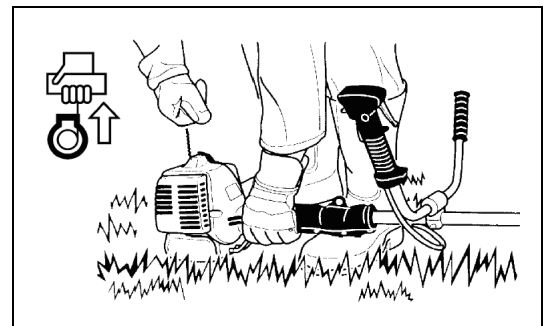
- Set the Start-Stop Switch (1) to neutral position as illustrated.



- First, place the equipment on the ground.
- Gently press the primer pump (5) repeatedly (7-10 times) until fuel comes into the primer pump.
- Close the choke lever (6).
 - Choke opening:
 - Fully closed in cold temperatures or when the engine is cold
 - Fully or half open for restart while the engine is still warm



- Firmly hold the clutch case with your left hand, as illustrated.
- Slowly pull the starter grip until you feel resistance, and then continue to pull sharply.
- Do not pull out the starter rope to its full extent, and do not allow the starter handle to retract by itself. Maintain control of the starter rope and ensure it retracts slowly.
- Repeat the starting operation until you hear the engine's initial ignitions.
- Depress the choke lever (6) (↓) and pull the starter rope again until the engine starts.
- As soon as the engine starts, immediately tap and release the throttle, to release the half-throttle lock and allow the engine to idle.
- Run the engine for approximately one minute at a moderate speed before applying full throttle.



- NOTE:**
- If you pull the starter handle repeatedly when the choke lever is in the at "↓" position, the engine will not start easily due to excessive fuel intake.
 - If excessive fuel intake occurs, remove the spark plug and pull the starter handle slowly to remove excess fuel. Also, dry the electrode section of the spark plug.

Caution during operation:

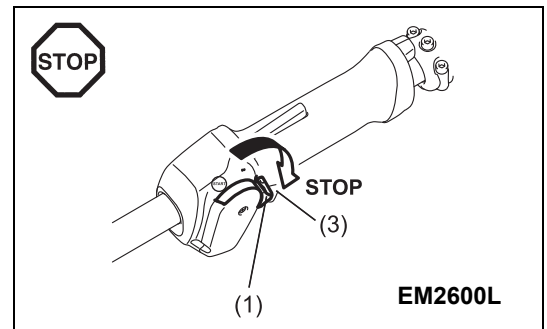
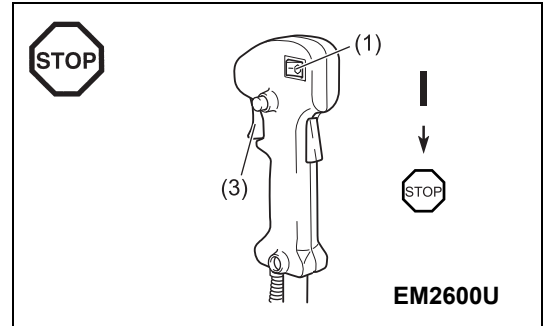
If the throttle lever is opened fully during a no-load operation, the engine revolutions increase over 10,000 min⁻¹. Never operate the engine at a higher speed than required, and keep the revolutions at an approximate speed of 6,000 - 8,000 min⁻¹.

CAUTION: Always reduce the engine revolutions when the equipment is not being used for work.

Operating the equipment at high revolutions when not being used for work will shorten the lifespan of the equipment.

Stopping

- Release the throttle lever (3) fully, and when the engine rpm has lowered, push the I-Stop Switch (on/off)/Start-Stop Switch (1) to "STOP" position to stop the engine.
- Be aware that the cutting head may not stop immediately, and always allow it to slow down and stop fully by itself.



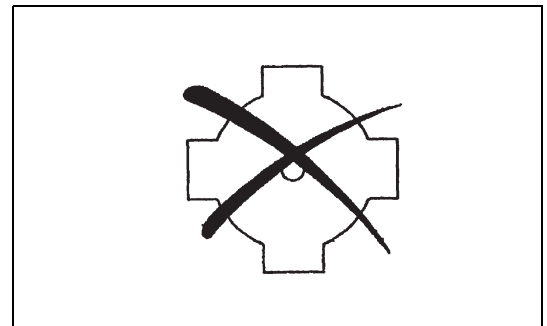
Resharpener the cutting tool

CAUTION: The cutting tools listed below must only be resharpened by an authorized facility. Manual resharpening will result in imbalances of the cutting tool, which will cause vibrations and damage to the equipment.

- cutter blade (star blade (4 teeth))

A professional resharpening and balancing service is provided by Authorized Service Agents.

NOTE: To increase the service life of the cutter blade (star blade) the blade may be turned over to allow both cutting edges to wear.



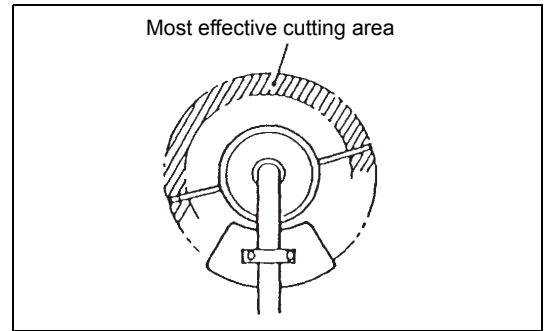
NYLON CUTTING HEAD

The nylon cutting head is a dual line trimmer head that has bump & feed mechanism.

The nylon cutting head feeds out the nylon cord after tapping the trimmer head on the ground.

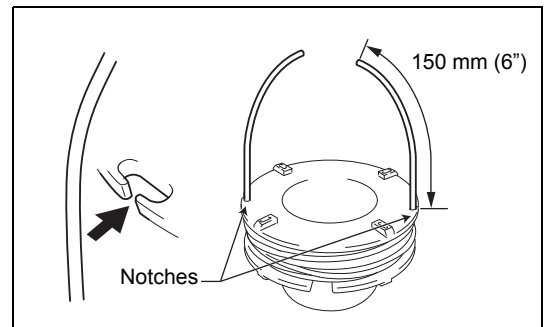
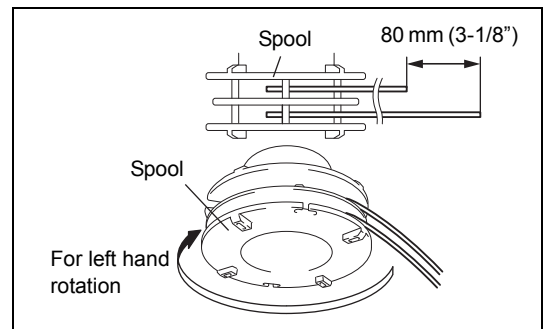
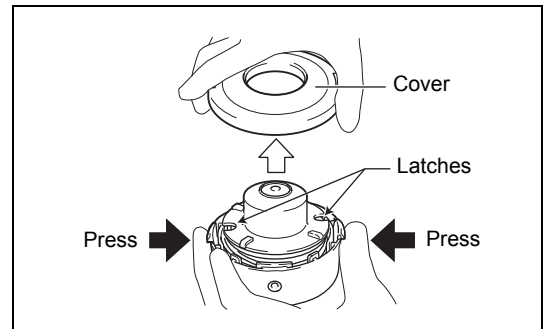
Operation

- The most effective cutting area is shown by the shaded area.
- To feed the nylon cord, increase the nylon cutting head speed to approx. 6,000 min^{-1} and tap the nylon cutting head lightly on the ground.
- If the nylon cutting head does not feed out by tapping, rewind/replace the nylon cord by following the procedures described under "Replacing the nylon cord."

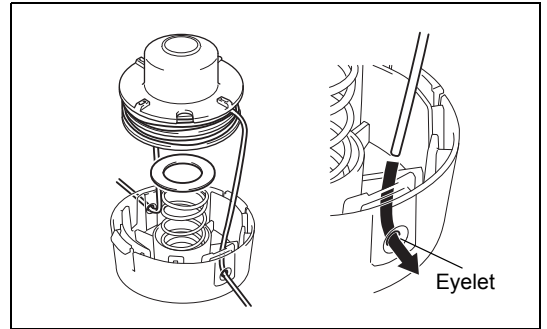


Replacing the nylon cord

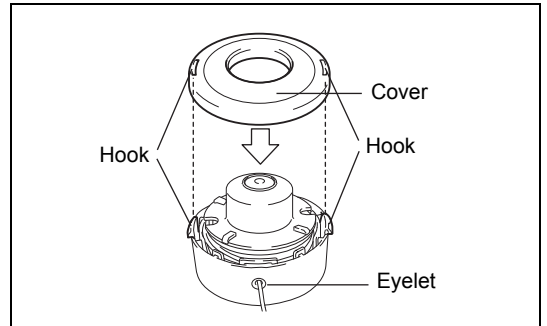
- Stop the engine.
 - Press the housing latches inward to lift off the cover, then remove the spool.
-
- Hook the center of new nylon cord into the notch in the center of the spool, with one end of the cord extending about 80 mm (3-1/8") more than the other. Then wind both ends firmly around the spool in the direction of the head rotation (left-hand direction indicated by LH and right-hand direction by RH on the side of the spool).
-
- Wind all but about 150 mm (6") of the cords around the spool, leaving the ends temporarily hooked through the notch on the side of the spool.



- Feed the cords through the eyelets to come out of the housing. Mount the washer, spring, and spool in the housing.



- Align the hooks on the the cover and the housing. Then push cover firmly onto the housing to secure it.



Servicing instructions

Servicing instructions

CAUTION: Before performing any type of maintenance work on the brush cutter, always switch off the motor and detach the plug cap from the spark plug (see "checking the spark plug"). Always wear protective gloves.

CAUTION: Never remove the recoil starter yourself. Doing so may cause an accident. This procedure should only be performed by an Authorized Service Agent.

To ensure a long service life and to avoid any damage to the equipment, perform the following maintenance operations regularly.

Daily inspection and maintenance

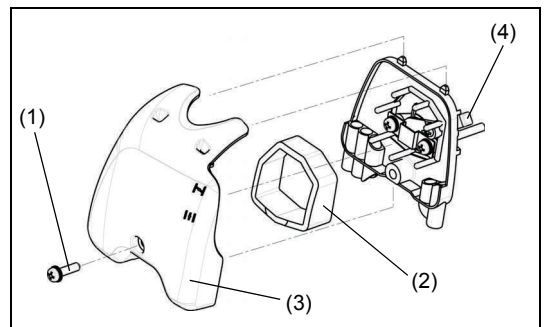
- Before operation, check the equipment for loose screws or missing parts. Pay particular attention to the tightness of the cutter blade or nylon cutting head.
- Before operation, always check to make sure that the cooling air passage and cylinder fins are not clogged. Clean them if necessary.
- Perform the following maintenance operations daily after use:
 - Clean the brush cutter externally and inspect it for damage.
 - Clean the air filter. When working under extremely dusty conditions, clean the filter several times a day.
 - Check the blade or the nylon cutting head for damage and make sure it is firmly mounted.
 - Check that there is sufficient difference between the idling and operating speeds to ensure the cutting tool is at a standstill while the engine is idling (if necessary, reduce the idling speed).
If the cutting tool continues to rotate during engine idling, consult your nearest Authorized Service Agent.
- Check that the I-Stop Switch (on/off)/Start-Stop Switch, the lock-off lever, the control lever, and the lock button are all functioning correctly.



Cleaning the air cleaner (filter)

- Turn the choke lever (4) to the fully closed side, and keep the carburetor away from any dust or dirt.
- Remove the screw (1).
- Remove the air cleaner cover (3).
- Remove the sponge element (2), wash it in lukewarm water and dry it completely.
- After cleaning, put back the air cleaner cover (3) and fasten it with screw (1).

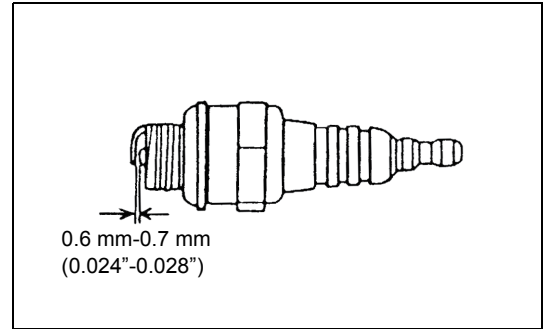
NOTE: If there is excessive dust or dirt adhering to the air cleaner, clean it every day. A clogged air cleaner may make it difficult or impossible to start the engine or increase the engine rotational speed.



Checking the spark plug

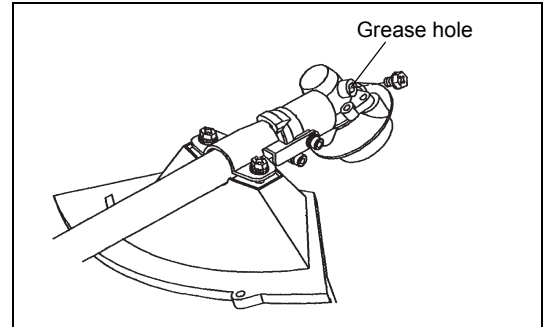
- Only use the supplied universal wrench to remove or to install the spark plug.
- The gap between the two electrodes of the spark plug should be 0.6-0.7 mm (0.024"-0.028"). If the gap is too wide or too narrow, adjust it. If the spark plug is clogged with carbon or dirty, clean it thoroughly or replace it.

CAUTION: Never touch the spark plug connector while the engine is running (danger of high voltage electric shock).



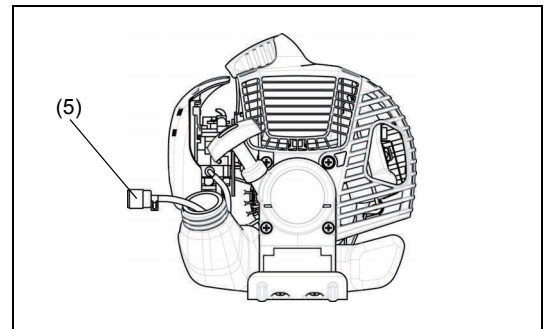
Supply of grease to gear case

- Supply grease (Shell Alvania 2 or equivalent) to the gear case through the grease hole every 30 hours. (Genuine MAKITA grease may be purchased from your MAKITA dealer.)



Suction head in the fuel tank

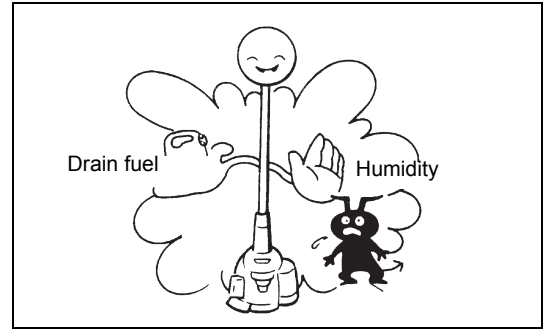
- The fuel filter (5) of the suction head is used to supply the fuel required by the carburetor.
- Visually inspect the fuel filter periodically. To inspect the filter, open the fuel filler cap, use a wire hook and pull out the suction head through the tank opening. Replace the filter if it has hardened, become particularly dirty, or clogged.
- Insufficient fuel supply may result in the maximum permissible speed being exceeded. Therefore, the fuel filter must be replaced at least quarterly to ensure satisfactory fuel supply to the carburetor.



Any other maintenance or adjustment work that is not described in this manual must only be performed by Authorized Service Agents.

Storage

- When storing the equipment for a long period of time, drain all the fuel from the fuel tank and carburetor. To do this, simply drain all of the fuel from the fuel tank. Dispose of the drained fuel in accordance with local applicable laws.
- Remove the spark plug and add a few drops of oil into the spark plug hole. Then, pull the starter gently so that oil coats the inside of the engine, then tighten the spark plug.
- Clean any dirt or dust from the cutter blade and outside of the engine, and wipe them with a oil-immersed cloth. Store the equipment in a dry place.



Maintenance schedule

General	Engine assembly, screws and nuts	Visual inspection for damage and tightness Check for general condition and security
After each refuelling	Control lever I-Stop Switch (on/off)/Start-Stop Switch	Functional check Functional check
Daily	Air filter Cooling air duct Cutting tool Idling speed	To be cleaned To be cleaned Check for damage and sharpness Inspection (cutting tool must not move)
Weekly	Spark plug Muffler	Inspection, replace if necessary Inspect, and clean the opening if necessary
Quarterly	Suction head Fuel tank	To be replaced To be cleaned
Shutting down procedure	Fuel tank Carburetor	Empty fuel tank Operate until engine runs out of fuel

Troubleshooting

Fault	System	Observation	Cause
Engine doesn't start, or is difficult to start	Ignition system	Ignition spark O.K.	Fault in fuel supply or compression system, mechanical defect
		No ignition spark	I-Stop Switch (on/off)/Start-Stop Switch operated, wiring fault or short circuit, spark plug or connector defective, ignition module faulty
	Fuel supply	Fuel tank filled	Incorrect choke position, carburetor defective, fuel supply line bent or blocked, fuel dirty
	Compression	No compression when pulled over	Cylinder bottom gasket defective, crankshaft seals damaged, cylinder or piston rings defective or improper sealing of spark plug
Warm start problems	Mechanical fault	Starter not engaging	Broken starter spring, broken parts inside the engine
		Tank filled. Ignition spark O.K.	Carburetor contaminated, must be cleaned
Engine starts but dies	Fuel supply	Tank filled	Incorrect idling adjustment, carburetor contaminated Fuel tank vent defective, fuel supply line interrupted, cable or I-Stop Switch (on/off)/Start-Stop Switch faulty
Insufficient performance	Several systems may simultaneously be affected	Engine idling poor	Air filter contaminated, carburetor contaminated, muffler clogged, exhaust duct in the cylinder clogged

Nous vous remercions d'avoir acheté cette débroussailleuse thermique MAKITA. Les débroussailleuses thermiques MAKITA sont développées comme le fruit de nos nombreuses années de connaissances, d'expérience et d'un programme de développement détaillé.

Veuillez lire attentivement cette brochure pour vous assurer d'obtenir la meilleure performance possible et les résultats extraordinaires que peut vous fournir votre débroussailleuse thermique MAKITA.



Table des matières	Page
Pictogrammes	20
Consignes de sécurité.....	21
Données techniques	25
Noms des pièces.....	26
Montage de la poignée	27
Montage du protecteur.....	28
Montage de la lame de coupe/de la tête à fils nylon ...	29
Remplissage du réservoir d'essence	30
Bonne manipulation	31
Points de fonctionnement importants/arrêt de la débroussailleuse	31
Réaffûtage de l'outil de coupe.....	33
Instructions d'entretien	35
Entreposage.....	37

Pictogrammes

Vous remarquerez les pictogrammes suivants en lisant le manuel d'instructions.

	Lisez le manuel d'instructions		Protections oculaire et auditive obligatoires (uniquement pour la débroussailleuse thermique)
	Faites particulièrement attention		Casque de protection, protections oculaire et auditive obligatoires (uniquement pour la débroussailleuse thermique)
	Interdit		Ne pas utiliser de lames métalliques (uniquement pour la débroussailleuse thermique)
	Gardez vos distances		Vitesse d'outil maximale autorisée
	Danger de projections		Surfaces chaudes – Risques de brûlure aux doigts et aux mains
	Défense de fumer		Mélange d'essence et d'huile
	Pas de flammes nues		Démarrage manuel du moteur
	Gants de protection obligatoires		Arrêt d'urgence
	Mouvement de recul		Premiers soins
	Zone de fonctionnement interdite aux personnes et aux animaux		MARCHE/DÉMARRAGE
	Portez des chaussures solides avec semelle antidérapante. Il est conseillé de porter des chaussures avec embout de sécurité.	○	ARRÊT/COUPURE MACHINE
		○ START	DÉMARRAGE

Consignes de sécurité

Consignes générales

- Pour assurer un bon fonctionnement, assurez-vous de lire et de comprendre entièrement ce manuel d'instructions pour vous familiariser avec la manière d'utiliser la débroussailleuse thermique. Si vous utilisez cet équipement sans comprendre comment l'utiliser correctement, vous risquez de vous blesser ou de blesser d'autres personnes.
- Ne prêtez la débroussailleuse thermique qu'à des personnes qui ont une expérience prouvée avec les débroussailleuses thermiques. Prêtez-leur toujours ce manuel d'instructions en même temps.
- Si c'est la première fois que vous utilisez une débroussailleuse à moteur, contactez votre revendeur pour obtenir des instructions de base.
- Les enfants et les mineurs ne doivent pas être autorisés à utiliser la débroussailleuse thermique. Les individus âgés de plus de 16 ans peuvent utiliser la machine à des fins d'apprentissage, mais toujours sous la surveillance d'une personne qualifiée.
- Utilisez les débroussailleuses thermiques avec le maximum de soin et d'attention.
- N'utilisez la débroussailleuse thermique que si vous êtes en bonne forme physique. Manipulez délicatement et soigneusement la machine. Les utilisateurs doivent accepter d'être responsables de ceux qui les entourent.
- N'utilisez jamais la débroussailleuse thermique après avoir consommé de l'alcool ou des médicaments, ou encore si vous vous sentez fatigué ou malade.

AVERTISSEMENT : Cette machine produit un champ électromagnétique lors de son fonctionnement. Ce champ peut, dans certaines circonstances, interférer avec des implants médicaux actifs ou passifs. Pour réduire le risque de blessure grave ou mortelle, nous recommandons aux personnes porteuses d'implants médicaux de consulter leur médecin et le fabricant de l'implant médical avant d'utiliser cet outil.

Utilisation normale de l'équipement

- La débroussailleuse thermique n'est destinée qu'à la coupe de l'herbe, des mauvaises herbes, des buissons et d'autres broussailles, et pas à la taille de haies car cela pourrait entraîner des blessures.

Équipement de protection personnel

- Portez toujours des vêtements qui sont fonctionnels et appropriés à votre travail, par ex. des vêtements serrants, mais pas trop afin de ne pas créer des mouvements inconfortables. Ne portez pas de bijoux ni de vêtements qui pourraient s'accrocher dans les buissons ou les arbustes.
- Afin d'éviter les blessures à la tête, aux yeux, aux mains ou aux pieds et de protéger votre audition lors de l'utilisation de la machine, vous devez porter l'équipement et les vêtements de protection indiqués ci-contre lorsque vous manipulez la débroussailleuse thermique.
- Portez toujours un casque s'il y a un risque de projection d'objets. Le casque de protection (1) doit être inspecté fréquemment en vue d'éventuels dommages et doit être remplacé au moins tous les 5 ans. Utilisez uniquement des casques de protection homologués.
- La visière-écran (2) du casque (ou à défaut les lunettes étanches) protège le visage des projections de débris et de pierres. Lorsque vous manipulez la débroussailleuse thermique, vous devez toujours porter des lunettes étanches ou une visière-écran afin d'éviter des blessures oculaires.
- Portez un équipement anti-bruit adéquat afin d'éviter une perte auditive (protège-oreilles (3), bouchons d'oreilles, etc.).
- Les combinaisons de travail (4) vous protègent des projections de débris et de pierres. Il vous est vivement conseillé de porter une combinaison de travail.
- Des gants spéciaux (5) constitués de cuir épais font partie de l'équipement conseillé et doivent toujours être portés lors de l'utilisation de la débroussailleuse thermique.
- Lorsque vous utilisez la débroussailleuse thermique, portez toujours des chaussures solides (6) avec semelle antidérapante. Ces chaussures protègent des blessures et vous assurent un bon appui au sol.

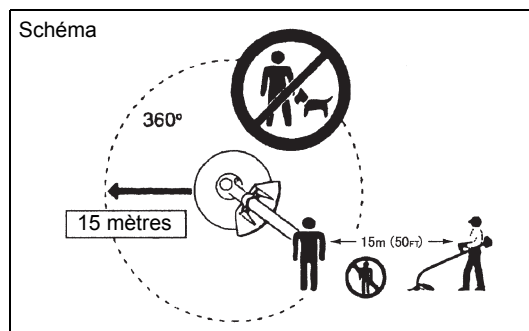
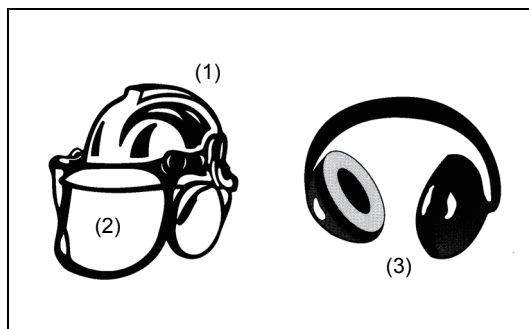
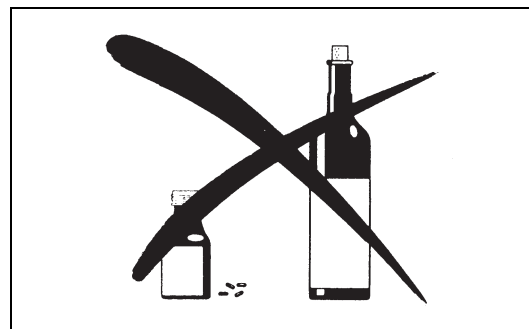
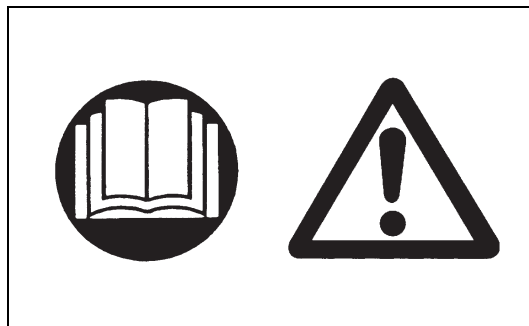
Risques résiduels

- Même lorsque la machine est utilisée comme prévu, il n'est pas possible d'éliminer tous les facteurs de risque résiduel. Voici les dangers potentiels qui sont liés à la structure et à la conception de la machine :

1. Dommages aux poumons si aucun masque antipoussières efficace n'est porté.
2. Dommages à l'audition si aucune protection auditive efficace n'est portée.
3. Dommages corporels résultant des vibrations si la machine est utilisée sur de longues périodes ou gérée de façon inadéquate et mal entretenue.

Démarrage de la débroussailleuse thermique

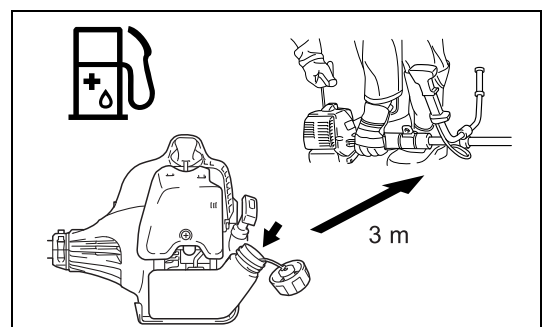
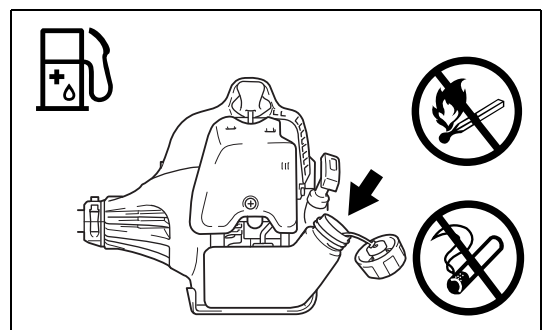
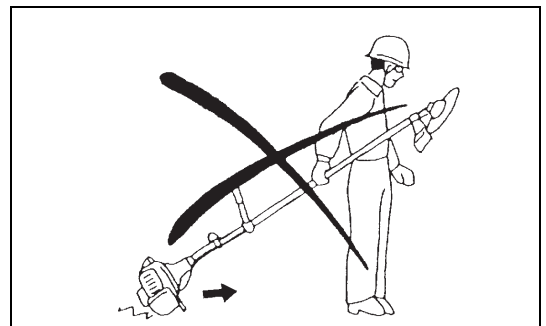
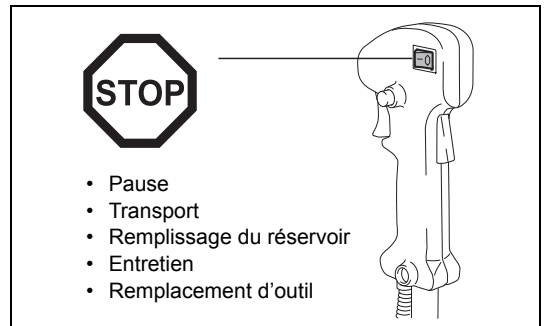
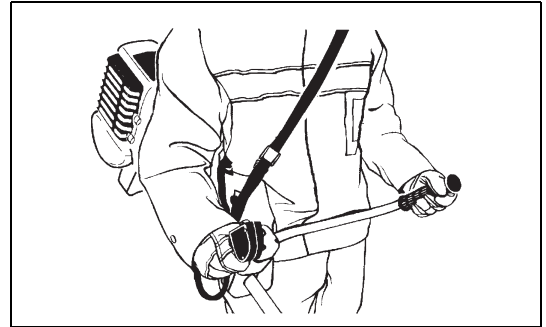
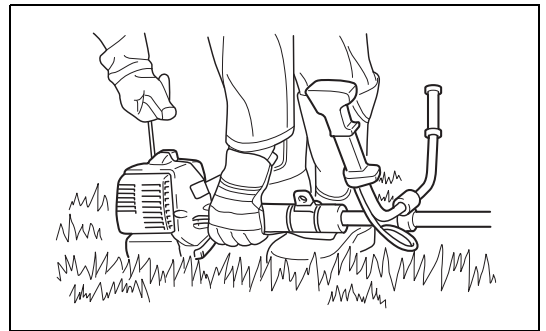
- Veillez à éloigner les enfants ou toute autre personne dans une zone de travail de 15 mètres (50 pieds), et faites également attention aux animaux présents dans cette zone.
- Avant de l'utiliser, vérifiez toujours que la débroussailleuse thermique est en bonne condition : Vérifiez que l'outil de coupe est fixé, que le levier de commande peut être facilement utilisé et que le verrouillage du levier de commande fonctionne correctement.
- Il est interdit de faire tourner l'outil de coupe lors du ralenti. Faites vérifier l'appareil auprès de votre revendeur si vous pensez que l'équipement a besoin d'un réglage. Vérifiez pour vous assurer que les poignées sont propres et sèches, et que le commutateur marche/arrêt fonctionne correctement.



- Suivez strictement les instructions pour démarrer la débroussailleuse thermique. Ne démarrez pas le moteur d'une autre façon.
- Utilisez uniquement la débroussailleuse thermique et les outils aux fins spécifiées.
- Ne démarrez le moteur de la débroussailleuse thermique qu'après avoir entièrement assemblé l'équipement. N'utilisez pas l'équipement tant que tous les accessoires appropriés ne sont pas fixés!
- Avant le démarrage, veillez à ce que l'outil de coupe ne soit pas en contact avec des objets durs tels que des branches, des pierres, etc., étant donné qu'il tournera au démarrage.
- Coupez le moteur immédiatement s'il présente des problèmes.
- Si l'outil de coupe heurte des pierres ou des objets durs, coupez immédiatement le moteur et inspectez l'outil de coupe.
- Inspectez fréquemment l'outil de coupe en vue d'éventuels dommages (détection de craquelures grâce à un test de battement).
- N'utilisez la débroussailleuse thermique qu'après avoir fixé et réglé la sangle d'épaule à la bonne longueur. La sangle d'épaule doit être réglée à la taille de l'utilisateur et attachée pour éviter la fatigue lors de l'utilisation de l'équipement. Ne saisissez jamais la débroussailleuse avec une seule main lorsqu'elle est en marche.
- Tenez toujours la débroussailleuse thermique avec les deux mains pendant le fonctionnement. Assurez-vous toujours d'avoir un bon appui.
- Utilisez la débroussailleuse technique de manière à éviter l'inhalation des gaz d'échappement. Ne faites jamais fonctionner le moteur dans un endroit clos comme à l'intérieur d'une pièce (risque d'asphyxie). Le monoxyde de carbone est un gaz inodore.
- Coupez toujours le moteur lorsque vous faites une pause, ou si vous avez l'intention de laisser la débroussailleuse thermique sans surveillance, et placez-la dans un endroit sûr pour éviter de blesser d'autres personnes et d'endommager l'équipement.
- Ne placez jamais la débroussailleuse thermique chaude sur de l'herbe sèche ou sur tout autre matériau combustible.
- L'outil de coupe doit toujours être équipé de la gaine de protection appropriée. Ne faites jamais fonctionner l'outil de coupe sans cette gaine!
- Toutes les protections et gaines fournies avec l'équipement doivent être utilisées au cours du fonctionnement.
- Ne faites jamais fonctionner le moteur si le silencieux d'échappement est défectueux.
- Coupez le moteur durant le transport.
- Lors du transport de l'équipement, attachez toujours le cache de la lame de coupe.
- Assurez-vous que la débroussailleuse thermique est bien positionnée pendant le transport afin d'éviter des fuites de carburant.
- Lorsque vous transportez la débroussailleuse thermique, veillez à ce que le réservoir d'essence soit totalement vide.
- Lorsque vous déchargez la débroussailleuse thermique d'un camion ou d'un autre véhicule de ce genre, ne faites jamais tomber le moteur par terre, au risque d'endommager sérieusement le réservoir d'essence.
- Sauf en cas d'urgence, ne faites jamais tomber la débroussailleuse thermique ou ne la lancez pas par terre, au risque de l'endommager sérieusement.
- Soulevez toujours tout l'équipement du sol lorsque vous le déplacez. Traîner l'équipement sur son réservoir d'essence est extrêmement dangereux et risque de causer une fuite de carburant qui pourrait provoquer un incendie.
- Si l'équipement tombe ou heurte violemment une surface, vérifiez son état avant de poursuivre l'utilisation. Recherchez une éventuelle fuite du système d'alimentation et un éventuel dysfonctionnement des dispositifs de commande et de sécurité. En cas de dommage avéré ou suspecté, adressez-vous à un centre de services agréé pour une inspection et une réparation.

Remplissage du réservoir

- Coupez le moteur pendant le remplissage du réservoir, éloignez-vous de toute flamme et ne fumez pas pendant le remplissage du réservoir.
- Assurez-vous que les produits pétroliers n'entrent pas en contact avec la peau. N'inhalez pas les vapeurs d'essence. Portez toujours des gants de protection pendant le remplissage du réservoir. Changez et nettoyez souvent les vêtements de protection.
- Pour éviter une contamination des sols (protection de l'environnement), assurez-vous de ne pas renverser de l'essence ou du pétrole sur le sol. Si vous renversez de l'essence, nettoyez immédiatement la débroussailleuse thermique.
- Assurez-vous que vos vêtements n'entrent pas en contact avec l'essence. Si de l'essence entre en contact avec vos vêtements, changez-les immédiatement afin d'éviter un incendie.
- Inspectez régulièrement le bouchon du réservoir d'essence pour vous assurer qu'il se ferme correctement et qu'il ne fuit pas.
- Serrez bien le bouchon du réservoir d'essence. Lorsque le remplissage du réservoir est terminé, éloignez-vous de 3 mètres de l'endroit où vous avez rempli le réservoir avant de démarrer le moteur.



- Ne remplissez jamais le réservoir dans un endroit clos comme à l'intérieur d'une pièce. Vous risqueriez de provoquer une explosion due à l'accumulation des vapeurs d'essence au niveau du sol.
- Ne transportez et ne conservez l'essence que dans des conteneurs appropriés. Veillez à conserver l'essence hors de portée des enfants.

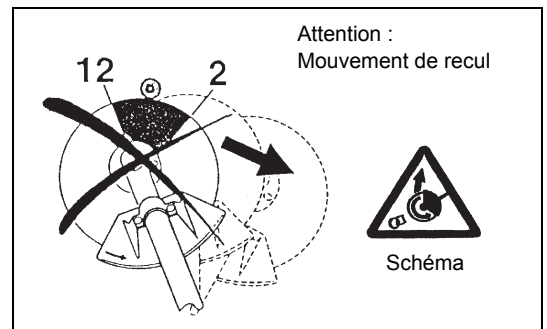
Mode de fonctionnement

- N'utilisez la débroussailleuse thermique qu'en pleine lumière et avec une bonne visibilité. En hiver, faites attention aux sols glissants et aux zones humides, telles que les zones couvertes de glace et de neige (risque de glissade). Assurez-vous toujours d'avoir un bon appui.
- Ne réalisez jamais de coupe en tenant la machine plus haut que votre taille.
- N'utilisez jamais la débroussailleuse thermique en vous tenant sur une échelle.
- Ne grimpez jamais dans les arbres pour utiliser la débroussailleuse thermique.
- Ne travaillez pas sur des surfaces instables.
- Retirez le sable, les pierres, les clous, etc. qui se trouvent dans la zone d'utilisation de la machine.
Les corps étrangers peuvent endommager l'outil de coupe et provoquer de dangereux mouvements de recul.
- Avant de commencer à couper, assurez-vous que l'outil de coupe a atteint la vitesse de travail totale.
- Si de l'herbe ou des branches sont coincées entre l'outil de coupe et sa gaine, coupez toujours le moteur avant de procéder au nettoyage. Si vous ne le faites pas, une rotation accidentelle de la lame peut entraîner des blessures graves.
- Faites des pauses afin de ne pas perdre le contrôle à cause de la fatigue. Nous vous recommandons de vous reposer 10 à 20 minutes toutes les heures.



Mouvement de recul (Effet de rebond de la lame)

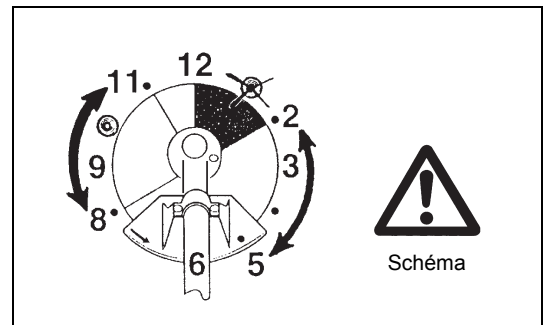
- Lorsque vous utilisez la débroussailleuse thermique, un mouvement de recul incontrôlable peut se produire.
- Les mouvements de recul se produisent fréquemment lorsque vous essayez de couper avec la partie entre 12 et 2 heures de la lame.
- N'appliquez jamais la partie entre 12 et 2 heures de la lame de la débroussailleuse.
- N'appliquez jamais cette partie de la lame sur des objets solides tels que des buissons ou des arbres, etc. qui ont un diamètre plus grand que 3 cm. Vous risqueriez de faire dévier la débroussailleuse thermique avec beaucoup de force, ce qui est extrêmement dangereux et risque de vous blesser.



Prévention des mouvements de recul

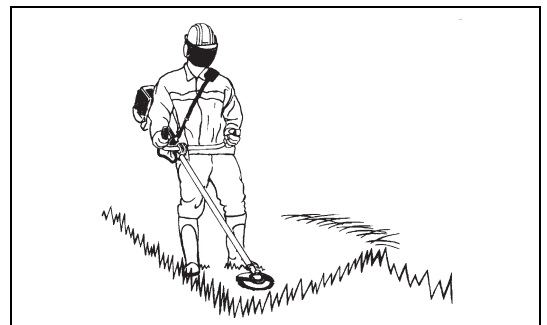
Afin d'éviter les mouvements de recul, souvenez-vous des consignes suivantes :

- Utiliser la partie entre 12 et 2 heures de la lame est extrêmement dangereux, en particulier lorsque vous utilisez des outils de coupe en métal.
- La coupe en utilisant la partie entre 11 et 12 heures et entre 2 et 5 heures de la lame ne doit être réalisée que par des opérateurs chevronnés, et uniquement à leurs risques et périls.
La partie optimale pour une coupe facile avec presque aucun mouvement de recul se situe sur la partie entre 8 et 11 heures de la lame.



Outils de coupe

- Utilisez un outil de coupe applicable pour la tâche en main.
Les têtes à fils nylon (têtes pour débroussailleuse thermique) sont adaptées à la tonte des pelouses.
Les lames métalliques sont adaptées à la coupe des mauvaises herbes, des herbes hautes, des buissons, des arbustes, du mort-bois, du gaulis, etc.
N'utilisez jamais d'autres lames, y compris les chaînes multiples pivotantes métalliques et les lames à fléaux. Vous risqueriez de vous blesser grièvement.
- Lorsque vous utilisez des lames métalliques, évitez le « mouvement de recul » et anticipez toujours un mouvement de recul accidentel. Reportez-vous aux sections « Mouvement de recul » et « Prévention des mouvements de recul ».



Consignes d'entretien

- Faites réparer votre équipement par nos centres de services agréés, qui n'utilisent que des pièces de rechange d'origine. Des réparations mal exécutées et un mauvais entretien peuvent réduire la durée utile de l'équipement et accroître les risques d'accident.
- Vérifiez toujours l'état de la débroussailleuse, en particulier les dispositifs de protection et la sangle d'épaule, avant de commencer le travail. Prêtez particulièrement attention aux lames de coupe qui doivent être correctement affûtées.
- Coupez le moteur et retirez le connecteur de la bougie d'allumage lorsque vous remplacez ou affûtez les outils de coupe, et également lorsque vous les nettoyez.

Ne réparez ni ne soudez jamais des outils de coupe endommagés.

- Utilisez la débroussailleuse thermique produisant le moins de bruit et de pollution possible. En particulier, vérifiez que le carburateur est réglé correctement.
- Nettoyez la débroussailleuse thermique à intervalles réguliers et vérifiez que toutes les vis et tous les écrous sont bien serrés.
- Ne réparez ni n'entreposez jamais la débroussailleuse thermique à proximité d'une flamme nue.
- Entrez toujours la débroussailleuse thermique dans une pièce fermée à clé avec le réservoir d'essence vide.
- Lors du nettoyage, de l'entretien et du stockage, attachez toujours le cache de la lame de coupe.

Respectez les consignes de prévention des accidents fournies par les associations professionnelles ainsi que par les compagnies d'assurance concernées.

Ne modifiez rien sur la débroussailleuse thermique, cela pourrait compromettre votre sécurité.

L'entretien ou les réparations réalisables par l'utilisateur sont ceux décrits dans le manuel d'instructions. Tout autre travail doit être réalisé par un technicien agréé. N'utilisez que des pièces de rechange et accessoires d'origine fabriqués et vendus par MAKITA.

Utiliser des accessoires et des outils non approuvés entraînera une augmentation du risque d'accidents.

MAKITA décline toute responsabilité en cas d'accidents ou de dommages du fait de l'utilisation d'outils de coupe, de dispositifs de fixation d'outils de coupe ou d'accessoires non agréés.

Premiers soins

En cas d'accident, veillez à avoir une trousse de premiers soins non loin de la zone de travail. Remplacez sans délai tout article utilisé dans la trousse de premiers soins.

Si vous demandez de l'aide, veuillez donner les informations suivantes :

- le lieu de l'accident
- les conditions de l'accident
- le nombre de personnes blessées
- le type de blessure
- votre nom.

Vibrations

- Des détériorations au niveau des vaisseaux sanguins ou du système nerveux peuvent se produire chez des personnes souffrant de troubles circulatoires et trop souvent soumises à des vibrations. Les symptômes pouvant apparaître à la suite de vibrations au niveau des doigts, des mains ou des articulations sont les suivants : « engourdissement » des membres, chatouillements, douleurs, douleur vive, altération de la peau (notamment, le changement de couleur). Si ces symptômes apparaissent, consultez un médecin.
- Pour éviter le phénomène du « doigt mort », assurez-vous de garder vos mains au chaud durant l'utilisation de l'outil et de préserver le bon état de l'outil et de ses accessoires.



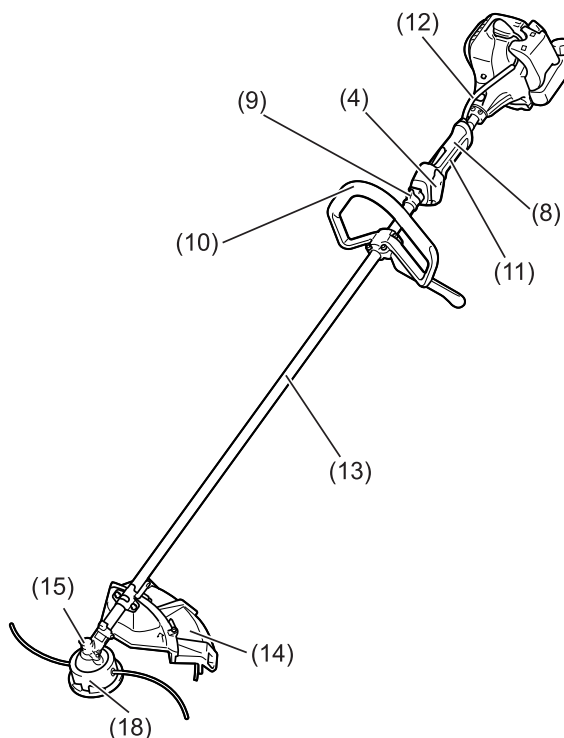
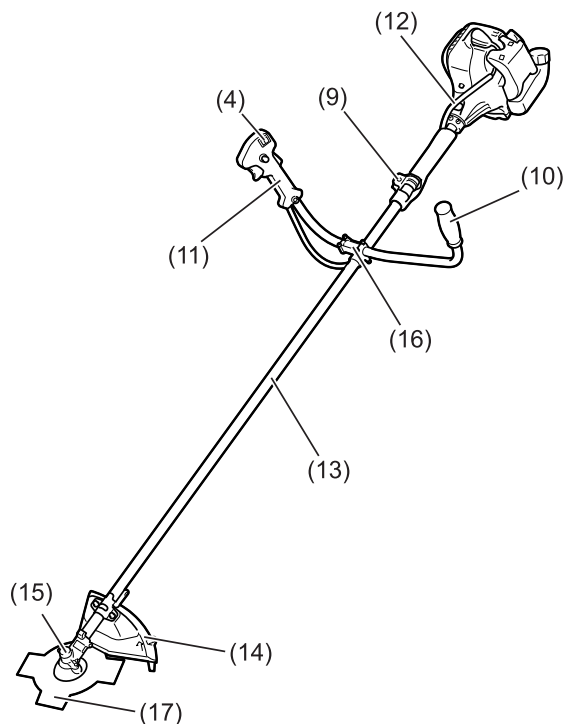
Données techniques

Modèle		EM2600U	EM2600L
		Poignée arceau	Poignée boucle
Dimensions : longueur x largeur x hauteur (hors lame de coupe)		1 770 x 610 x 410 mm (69-3/4 x 24 x 16-1/8")	1 770 x 330 x 185 mm (69-3/4 x 13 x 7-1/4")
Poids net		5 kg (11 livres)	5 kg (11 livres)
Cylindrée		25,7 cm ³ (1,57 po ³)	
Rendement maximal du moteur		0,83 kW	
Fréquence de rotation maximale de la broche		8 800/min	
Accessoire de coupe	Lame métallique monopiece	φ230 mm (9")	
	Tête pour débroussailleuse thermique	φ430 mm (17")	
Vitesse au ralenti		3 000/min	
Vitesse d'embrayage		4 100/min	
Rapport de transmission		14/19	
Carburant		Mélange d'essence Essence : Huile pour moteur à deux temps = 50 :1	
Volume (réservoir d'essence)		0,6 L (36,6 po ³)	
Carburateur		WALBRO WYC	
Bougie d'allumage		NGK BPMR7A	
Distance entre les électrodes		0,6 à 0,7 mm (0,024 à 0,028")	

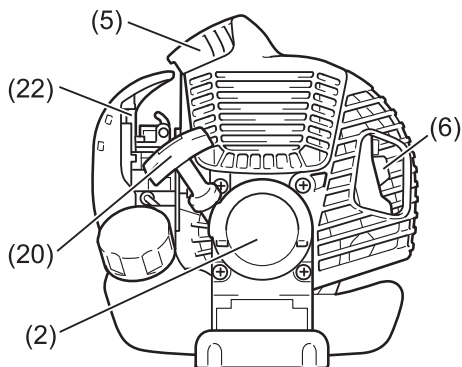
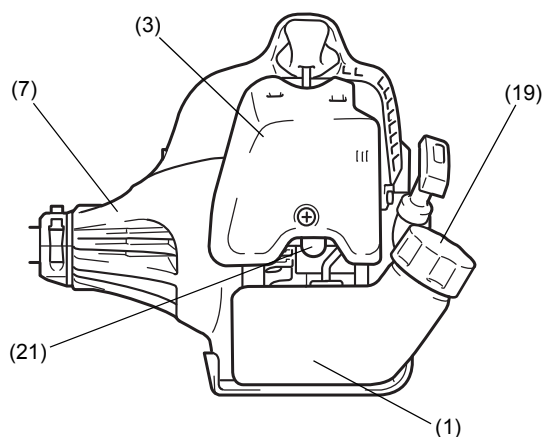
(Pour le Canada) REMARQUE : Le système d'allumage par bougie est conforme à la norme canadienne ICES-002.

Noms des pièces

EM2600U Poignée arceau



EM2600L Poignée boucle



Noms des pièces	
1	Réservoir d'essence
2	Démarrreur à rappel
3	Filter à air
4	Commutateur I/arrêt (marche/arrêt)/Commutateur marche/arrêt
5	Bougie d'allumage
6	Silencieux d'échappement
7	Carter d'embrayage
8	Poignée arrière
9	Étrier de fixation
10	Poignée
11	Levier de commande
12	Câble de commande
13	Axe
14	Protecteur (Gaine de protection de l'outil de coupe)
15	Carter d'engrenage
16	Support de la poignée
17	Lame de coupe
18	Tête à fils nylon
19	Bouchon du réservoir d'essence
20	Poignée de démarrage
21	Pompe d'amorçage
22	Levier d'étrangleur

Montage de la poignée

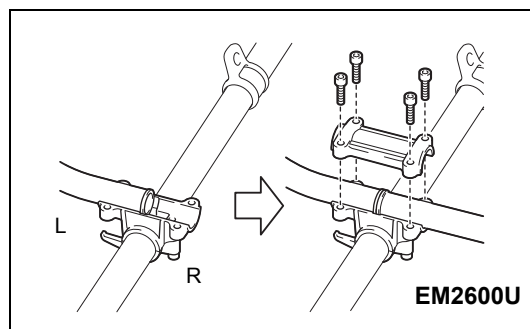
ATTENTION : Avant de manipuler la débroussailleuse thermique, coupez toujours le moteur et débranchez le connecteur de la bougie d'allumage. Portez toujours des gants de protection!

ATTENTION : Assurez-vous d'avoir remonté entièrement la débroussailleuse thermique avant de la démarrer.

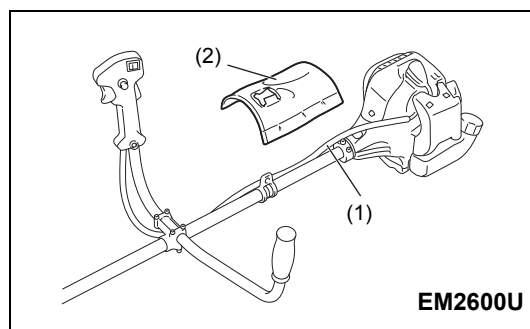


Pour les modèles avec la poignée arceau

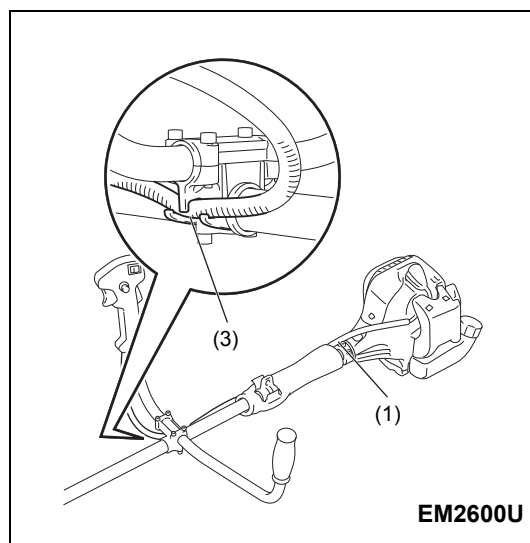
- Placez les deux poignées sur le support de la poignée. Le levier de commande doit venir à droite lorsque vous regardez vers l'outil de coupe.
- Fixez les extrémités de la poignée sur la rainure du support de la poignée et fixez dessus la pièce de serrage. Serrez-les légèrement avec quatre boulons pour le réglage.
- Réglez l'angle des poignées, puis serrez tous les boulons de manière égale avec une clé hexagonale.



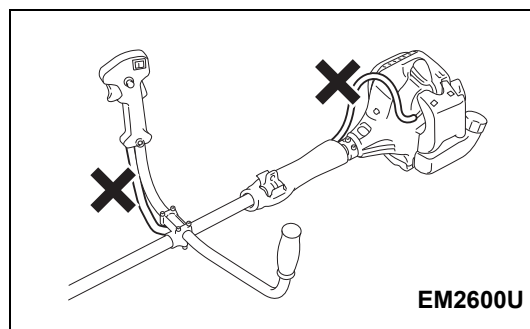
- Placez le câble d'accélérateur (1) du côté du levier de commande de l'axe. Puis, enveloppez-le avec la protection de taille (2).



- Insérez le câble d'accélérateur (1) dans la fente de serrage (3) du support de la poignée.
- Assurez-vous que le câble d'accélérateur est positionné comme indiqué.
- Faites fonctionner le levier de commande et assurez-vous qu'il bouge sans heurt.

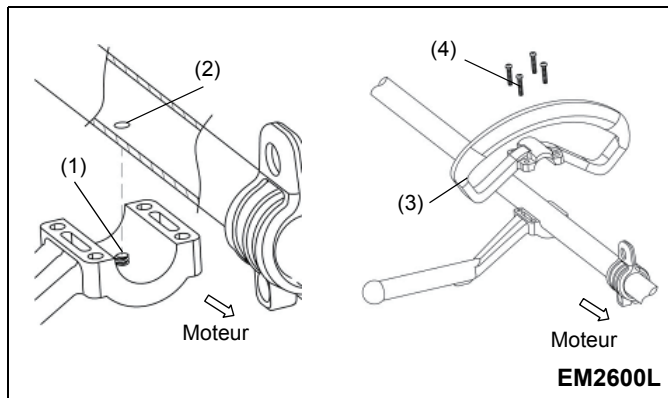


ATTENTION : Ne positionnez pas le câble d'accélérateur comme indiqué. Sinon, un câble courbé risque d'entraîner un ralenti accéléré, et une lame incontrôlable risque de causer des blessures.



Pour le modèle avec la poignée boucle

- Placez le fil (1) sur le support de la poignée dans le trou (2) sur le tube.
- Fixez la poignée auxiliaire (3) sur la barre de retenue.
- Serrez les 4 boulons (4) M5 x 30.

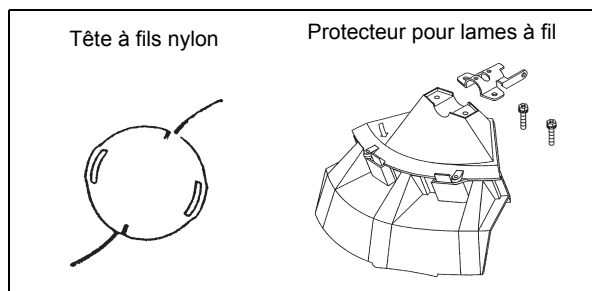
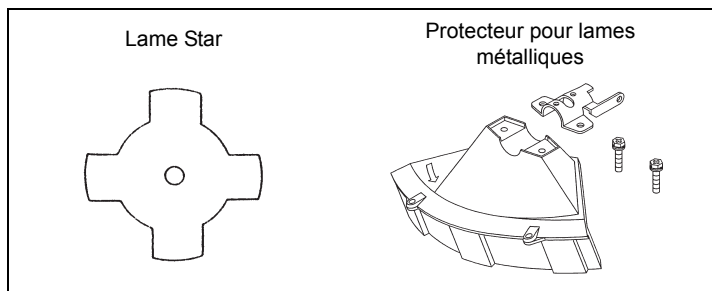


Montage du protecteur

Pour répondre aux normes de sécurité applicables, vous ne devez utiliser que les combinaisons outil/protecteur indiquées dans le tableau.

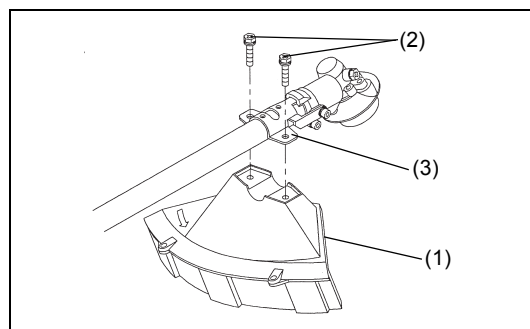
Utilisez toujours des lames de coupe/tête à fils nylon MAKITA.

- La lame de coupe doit être correctement polie, et n'être ni craquelée, ni brisée. Si la lame de coupe heurte une pierre en cours de fonctionnement, coupez le moteur et vérifiez immédiatement l'état de la lame.
- Polissez ou remplacez la lame de coupe toutes les trois heures.
- Si la tête à fils nylon heurte une pierre en cours de fonctionnement, coupez le moteur et vérifiez immédiatement l'état de la tête à fils nylon.

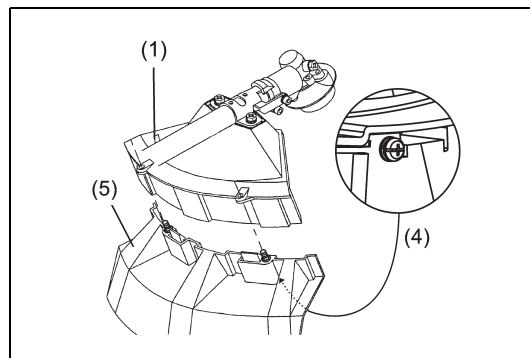


ATTENTION : Les protecteurs adéquats doivent toujours être installés, pour votre propre sécurité et afin de vous conformer à la réglementation sur la prévention des accidents. Il est interdit d'utiliser l'équipement sans la gaine de protection installée.

- Fixez le protecteur (1) à la pièce de serrage (3) avec deux boulons M6 x 30 (2).



- Lors de l'utilisation tête à fils nylon, ajustez le protecteur (5) dans le protecteur (1), et serrez-les avec deux vis (4).

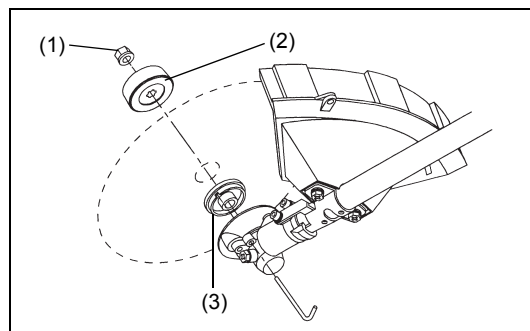


Montage de la lame de coupe/de la tête à fils nylon

La lame de coupe ou la tête à fils nylon peut facilement être remplacée en retournant d'abord l'équipement.



- Insérez la clé hexagonale dans le trou du carter d'engrenage et serrez la rondelle d'appui (3) jusqu'à ce qu'elle se bloque.
- Desserrez l'écrou/rondelle frein (1) (vers la gauche) avec la clé à douille, puis retirez l'écrou/rondelle frein (1) et la rondelle de serrage (2).



Avec la clé hexagonale restée en place

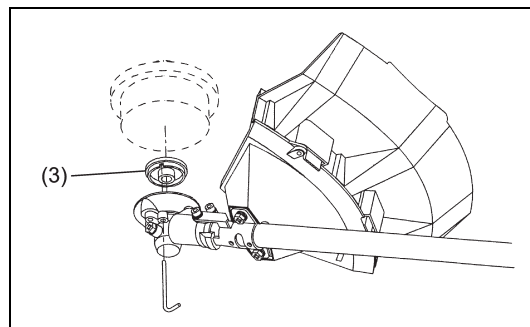
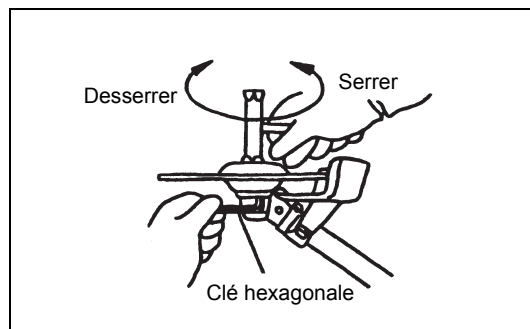
- Montez la lame de coupe sur l'axe de façon à ce que le guide de la rondelle d'appui (3) s'insère dans l'alésage central de la lame de coupe. Placez la rondelle de serrage (2) et fixez la lame de coupe à l'aide de l'écrou/rondelle frein (1).

[Couple de serrage : 13 - 23 N-m]

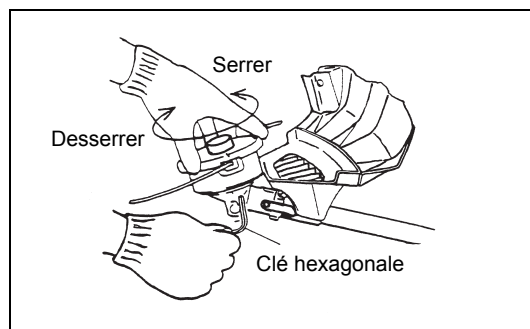
REMARQUE : Portez toujours des gants lorsque vous manipulez la lame de coupe.

REMARQUE : L'écrou de fixation de la lame de coupe (avec rondelle frein) est une pièce consommable. En cas d'usure ou de déformation de la rondelle frein, remplacez l'écrou.

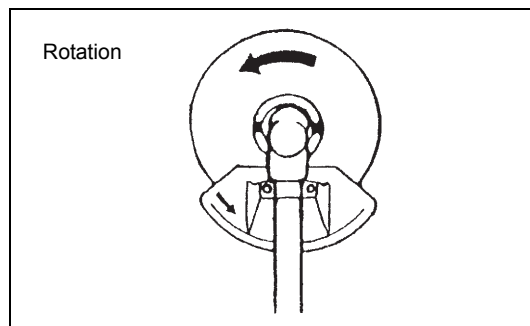
REMARQUE : La rondelle de serrage (2) et l'écrou/rondelle frein (1) ne sont pas nécessaires pour le montage de la tête à fils nylon. La tête à fils nylon doit être placée au-dessus de la rondelle d'appui (3).



- Vissez la tête à fils nylon sur l'axe.



- Assurez-vous que la lame tourne dans le sens inverse des aiguilles d'une montre.



Remplissage du réservoir d'essence

Manipulation de l'essence

Le plus grand soin est requis lorsque vous manipulez l'essence. L'essence peut contenir des substances telles que des solvants. Remplissez le réservoir dans une pièce bien ventilée ou à l'extérieur. N'inhaliez pas les vapeurs d'essence et évitez tout contact de l'essence ou de l'huile avec votre peau.

Les produits pétroliers dégraissent la peau. Un contact prolongé de ces produits sur votre peau assèchera fortement votre peau, ce qui risque d'entraîner différents types de maladie de la peau. De plus, des réactions allergiques peuvent se produire.

Les yeux peuvent être irrités s'ils entrent en contact avec de l'huile. Si de l'huile s'introduit dans vos yeux, rincez-les immédiatement à l'eau claire. Si vos yeux sont toujours irrités, consultez immédiatement un médecin.

Mélange d'essence et d'huile

Le moteur de la débroussailleuse thermique est un moteur à deux temps hautement performant. Il fonctionne avec un mélange d'essence et d'huile pour moteur à deux temps. Le moteur est conçu pour fonctionner avec de l'essence ordinaire sans plomb avec une valeur minimale d'octane de 91 RON. Pour obtenir une performance optimale du moteur et pour préserver votre santé ainsi que l'environnement, n'utilisez que de l'essence sans plomb.

Pour lubrifier le moteur, ajoutez une huile pour moteur à deux temps (niveau de qualité : JASO FC ou ISO EGD) à l'essence. Le moteur est conçu pour être utilisé avec l'huile pour moteur à deux temps spécifiée et un dosage du mélange d'huile et d'essence de 50:1 pour protéger l'environnement.

En outre, l'utilisation de ce dosage du mélange garantit une longue durée de vie, ainsi qu'un fonctionnement fiable et peu d'émissions. Un fonctionnement fiable de la débroussailleuse thermique ne peut pas être garanti à moins que ce dosage de mélange de 50:1 (huile pour moteur à deux temps spécifiée) ne soit strictement respecté.

Dosage du mélange correct :

Essence : huile pour moteur à deux temps spécifiée = 50 : 1 ou

Essence : huile pour moteur à deux temps d'autres fabricants = 25 : 1
recommandé

REMARQUE : Pour préparer le mélange essence-huile, mélangez tout d'abord la quantité d'huile complète avec la moitié de l'essence nécessaire, puis ajoutez le reste de l'essence. Mélangez bien le mélange en le secouant avant de le verser dans le réservoir de la débroussailleuse thermique. Pour assurer un bon fonctionnement, n'ajoutez pas plus d'huile moteur que la quantité spécifiée. Cela n'entraînerait qu'une plus grande production de résidus de combustion qui pollueraient l'environnement et obstrueraient le conduit d'échappement dans le cylindre ainsi que le silencieux. De plus, la consommation d'essence augmenterait et les performances diminueraient.

Remplissage du réservoir

Le moteur doit être coupé.

- Nettoyez soigneusement la zone autour du bouchon du réservoir d'essence (2) pour éviter que des saletés ne pénètrent dans le réservoir d'essence (1).
- Dévissez le bouchon du réservoir d'essence (2) et remplissez le réservoir d'essence.
- Vissez soigneusement le bouchon du réservoir d'essence (2).
- Nettoyez le bouchon du réservoir d'essence (2) après avoir rempli le réservoir.



Entreposage de l'essence

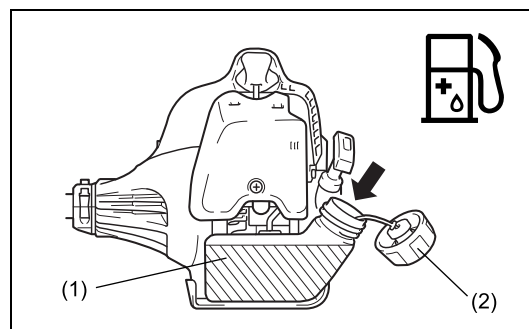
L'essence ne peut pas être entreposée pendant une période de temps illimitée. N'achetez que la quantité dont vous avez besoin pour une période d'utilisation de 4 semaines. N'utilisez que des conteneurs d'essence approuvés.



Respectez les consignes de sécurité de la page 21.



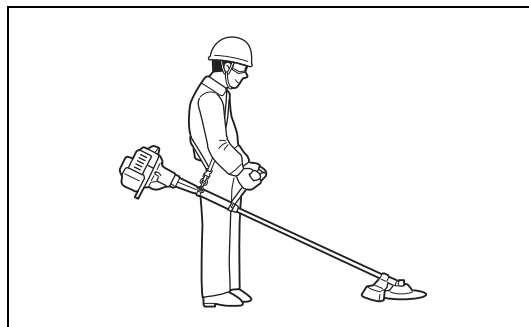
Essence	50:1	25:1
	+	
1 000 cm ³ (1 litre) 5 000 cm ³ (5 litres) 10 000 cm ³ (10 litres)	20 cm ³ 100 cm ³ 200 cm ³	40 cm ³ 200 cm ³ 400 cm ³



Bonne manipulation

Fixation de la sangle d'épaule

- Réglez la longueur de la sangle de façon à ce que la lame de coupe reste parallèle au sol.

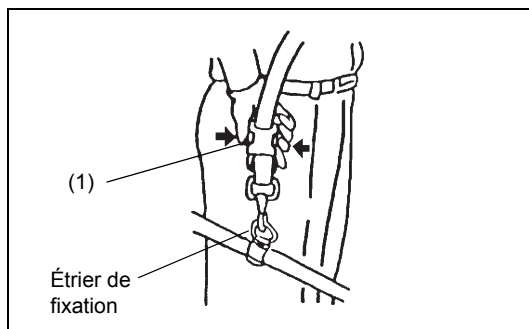


Détachement

- En cas d'urgence, poussez sur les entailles (1) des deux côtés et détachez l'équipement.
Veillez à garder le contrôle de l'équipement à ce moment précis. Ne laissez pas l'équipement se retourner vers vous ou vers une personne proche de vous.

AVERTISSEMENT : Si le contrôle de la machine venait à vous échapper totalement, vous pourriez vous blesser très grièvement ou même trouver la MORT.

Remarque : Dans certains pays, la sangle d'épaule ne possède pas cette fonction de détachement.



Points de fonctionnement importants/arrêt de la débroussailleuse

Respectez la réglementation en vigueur sur la prévention des accidents.



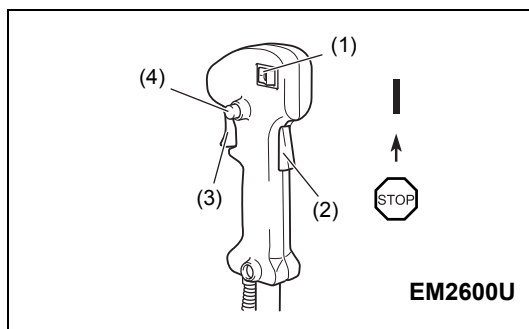
Démarrage

Éloignez-vous de 3 m de la zone où vous avez rempli le réservoir de l'équipement. Placez la débroussailleuse thermique sur une portion de sol nette en veillant à ce que l'outil de coupe n'entre pas en contact avec le sol ou tout autre objet.

AVERTISSEMENT : Veillez à ce que l'outil de coupe se mette à tourner immédiatement après le démarrage de l'outil.

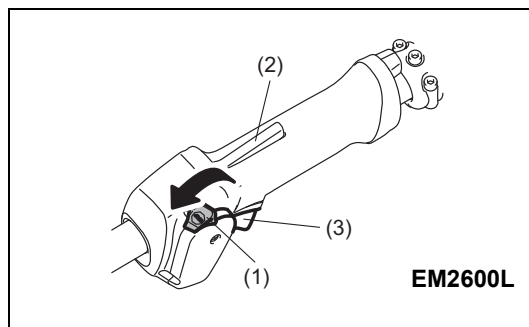
Démarrage à froid pour les modèles avec poignée arceau

- Basculez le commutateur marche/arrêt (1) comme sur l'illustration.
- Saisissez la poignée (une pression de la main active le levier de sécurité (2)).
- Appuyez sur le levier d'accélérateur (3) et maintenez-le enfoncé.
- Appuyez sur le bouton de verrouillage (4) et relâchez le levier de commande, puis relâchez le bouton de verrouillage (le bouton de verrouillage maintient le levier d'accélérateur dans la position de démarrage).



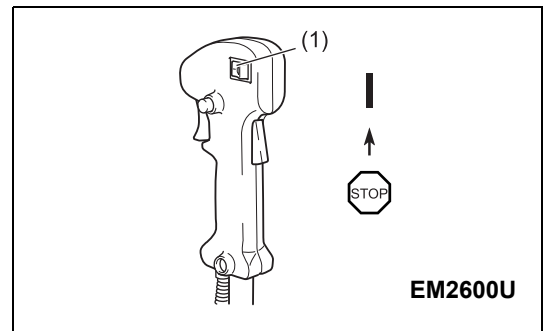
Démarrage à froid pour les modèles avec poignée boucle

- Basculez le commutateur marche/arrêt (1) sur la position de démarrage comme sur l'illustration.
- Saisissez la poignée (une pression de la main active le levier de sécurité (2)).
- Appuyez sur le levier d'accélérateur (3) et maintenez-le enfoncé.
- Réglez le commutateur marche/arrêt (1) sur la position de démarrage et relâchez le levier de commande, puis relâchez le commutateur marche/arrêt (le commutateur marche/arrêt maintient le levier d'accélérateur dans la position de démarrage).



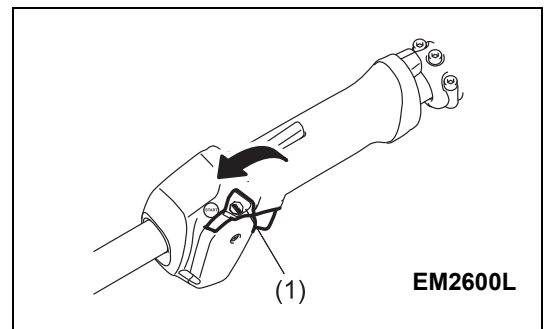
Démarrage à chaud pour les modèles avec poignée arceau

- Basculez le commutateur l/arrêt (marche/arrêt) (1) comme sur l'illustration.

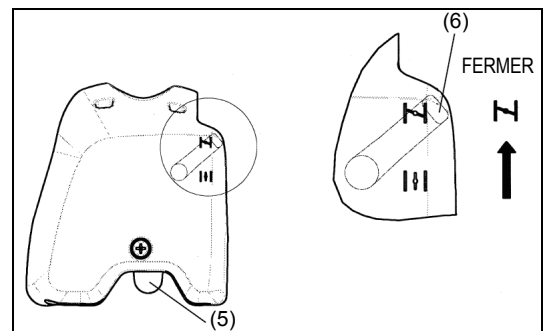


Démarrage à chaud pour les modèles avec poignée boucle

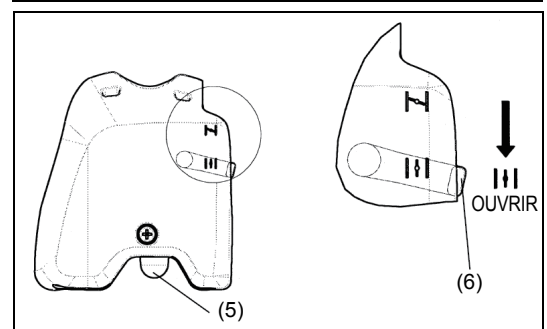
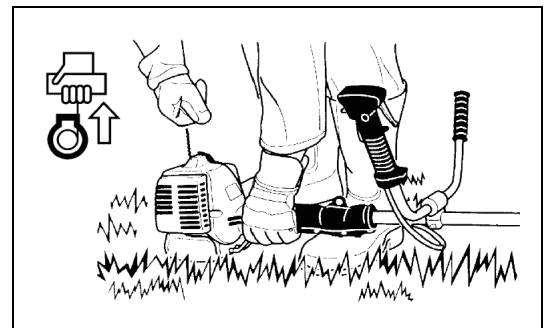
- Basculez le commutateur marche/arrêt (1) sur la position neutre comme sur l'illustration.



- Placez tout d'abord l'équipement sur le sol.
- Appuyez légèrement sur la pompe d'amorçage (5) de façon répétée (7 à 10 fois) jusqu'à ce que le carburant parvienne à la pompe d'amorçage.
- Fermez le levier d'étrangleur (6).
Ouverture de l'étrangleur :
 - Fermeture totale dans des températures froides ou lorsque le moteur est froid
 - Ouverture totale ou à moitié pour le redémarrage lorsque le moteur est toujours chaud



- Maintenez fermement le carter d'embrayage avec votre main gauche, comme sur l'illustration.
- Tirez lentement sur la poignée de démarrage jusqu'à ce que vous sentiez une résistance, puis continuez à tirer vivement.
- Ne tirez pas complètement la corde de démarrage, et ne laissez pas la poignée de démarrage se rétracter. Gardez le contrôle de la corde de démarrage et assurez-vous qu'elle se rétracte lentement.
- Répétez l'opération de démarrage jusqu'à ce que vous entendiez les premiers allumages du moteur.
- Abaissez le levier d'étrangleur (6) (↓) et tirez à nouveau sur la corde de démarrage jusqu'à ce que le moteur démarre.
- Dès que le moteur démarre, tapotez immédiatement et relâchez l'accélérateur, pour relâcher le verrouillage demi-accélérateur et permettre au moteur de ralentir.
- Faites fonctionner le moteur pendant environ une minute à une vitesse modérée avant d'accélérer jusqu'à la vitesse maximale.



- REMARQUE : – Si vous tirez plusieurs fois sur la poignée de démarrage alors que le levier d'étrangleur est en position « |↔| », le moteur démarrera difficilement en raison d'une admission d'essence excessive.
- En cas d'admission d'essence excessive, retirez la bougie d'allumage et tirez lentement sur la poignée de démarrage afin de supprimer l'excédent d'essence. Séchez également l'électrode de la bougie d'allumage.

Attention en cours de fonctionnement :

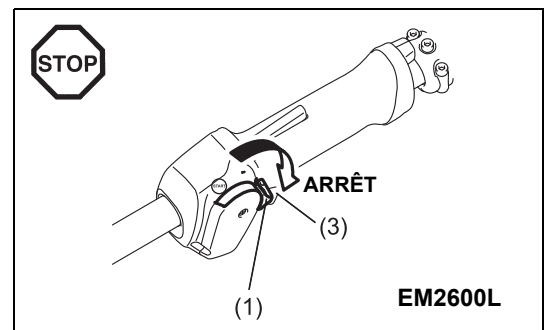
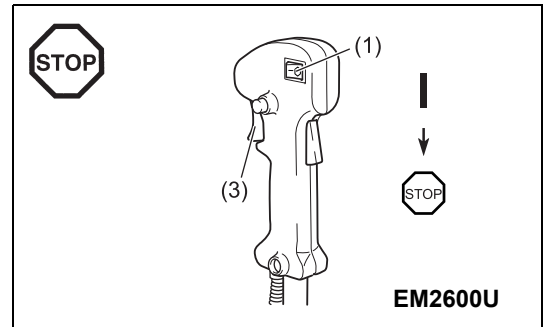
Si le levier d'accélérateur est entièrement ouvert durant un fonctionnement à vide, les tours du moteur augmentent à plus de 10 000 min⁻¹. Ne faites jamais fonctionner le moteur à une vitesse supérieure à celle requise et gardez les tours à une vitesse approximative de 6 000 à 8 000 min⁻¹.

ATTENTION : Réduisez toujours les tours du moteur lorsque l'équipement ne va pas être utilisé pour le travail.

Faire fonctionner l'équipement à des tours élevés lorsqu'il n'est pas utilisé pour le travail réduira la durée de vie de l'équipement.

Arrêt

- Relâchez complètement le levier d'accélérateur (3), puis une fois que le régime moteur a baissé, basculez le commutateur I/arrêt (marche/arrêt)/ commutateur marche/arrêt (1) sur « ARRÊT » (STOP) pour couper le moteur.
- La tête de coupe peut ne pas s'arrêter immédiatement, attendez toujours qu'elle ralentisse et s'arrête complètement d'elle-même.



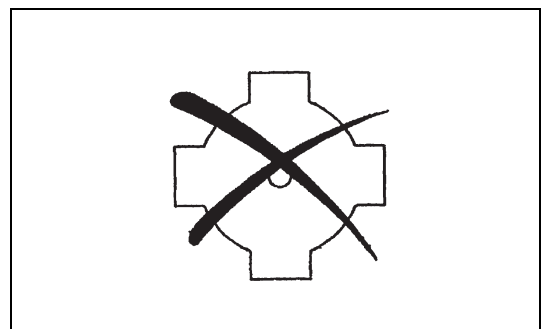
Réaffûtage de l'outil de coupe

ATTENTION : Les outils de coupe repris ci-dessous ne doivent être réaffûtés que par un professionnel agréé. Le réaffûtage manuel déséquilibrera l'outil de coupe, ce qui entraînera des vibrations et des dommages à l'équipement.

- lame de coupe (lame Star (4 dents))

Un réaffûtage et un équilibrage professionnels vous sont fournis par des techniciens agréés.

REMARQUE : Afin d'augmenter la durée de vie de la lame de coupe (lame Star), vous pouvez la retourner jusqu'à ce que les deux tranchants soient abîmés.



TÊTE À FILS NYLON

La tête à fils nylon est une tête de coupe à double fil dotée d'un mécanisme de déploiement par choc.

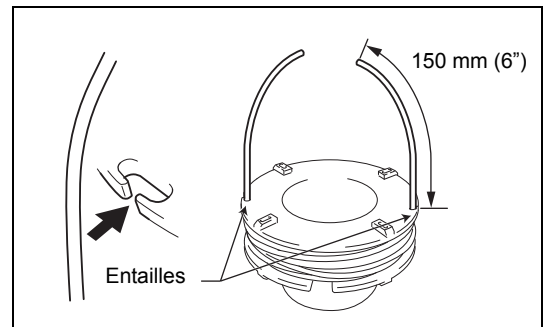
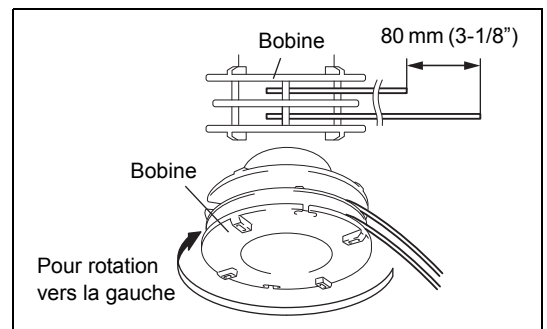
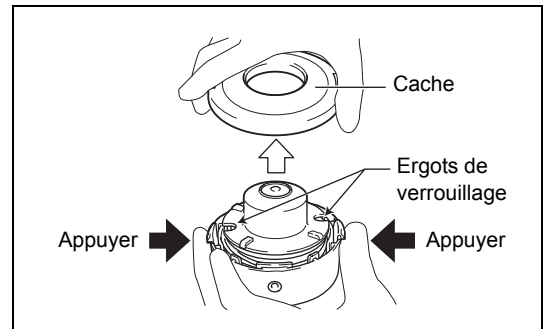
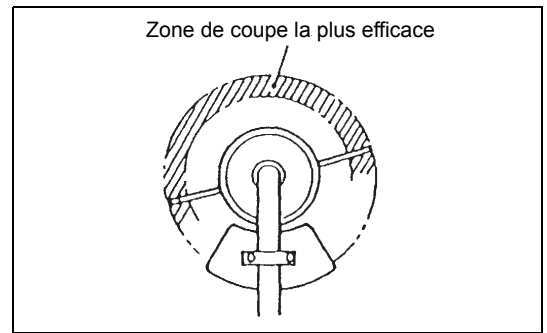
La tête à fils nylon déploie le fil nylon lorsque la tête de la débroussailleuse est cognée contre le sol.

Fonctionnement

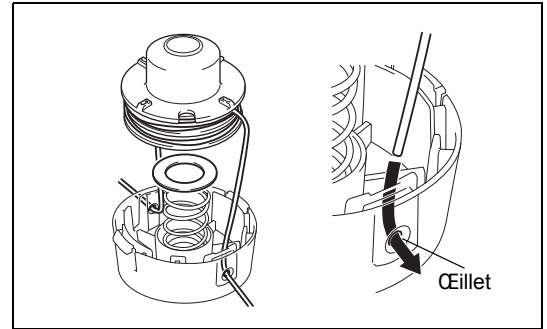
- La zone de coupe la plus efficace correspond à la zone grisée.
- Pour déployer le fil nylon, augmentez la vitesse de la tête à fils nylon à environ $6\ 000\ \text{min}^{-1}$ et cognez doucement la tête à fils nylon sur le sol.
- Si la tête à fils nylon ne déploie pas de fil suite à ce choc, rembobinez/ remplacez le fil nylon en suivant les procédures décrites dans le paragraphe « Remplacement du fil nylon ».

Remplacement du fil nylon

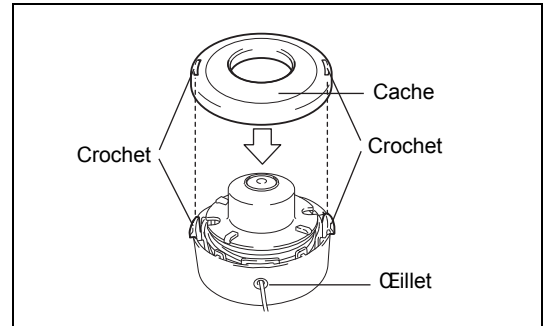
- Coupez le moteur.
 - Appuyez sur les ergots de verrouillage du logement pour libérer le cache, puis retirez la bobine.
- Insérez le nouveau fil de nylon dans l'entaille au centre de la bobine, avec une extrémité du fil d'environ 80 mm (3-1/8") plus longue que l'autre. Puis enroulez bien les extrémités autour de la bobine dans le sens de rotation de la tête (vers la gauche indiqué par LH et vers la droite indiqué par RH sur le côté de la bobine).
- Laissez environ 150 mm (6") de fil non enroulé autour de la bobine, les extrémités dépassant temporairement des entailles sur le côté de la bobine.



- Passez le fil via les œillets pour le faire sortir du logement.
Montez la rondelle, le ressort et la bobine dans le logement.



- Alignez les crochets sur le cache et le logement.
Puis enfoncez à fond le cache sur le logement pour le fixer.



Instructions d'entretien

Instructions d'entretien

ATTENTION : Avant d'effectuer tout travail d'entretien sur la débroussailleuse thermique, coupez toujours le moteur et détachez le capuchon de la bougie d'allumage (voir « Vérification de la bougie d'allumage »).

Portez toujours des gants de protection.

ATTENTION : Ne retirez jamais le démarreur de recul vous-même. Vous risqueriez de causer un accident. Cette procédure ne doit être réalisée que par un technicien agréé.

Pour garantir une longue durée de vie et éviter d'endommager l'équipement, réalisez régulièrement les opérations d'entretien suivantes.

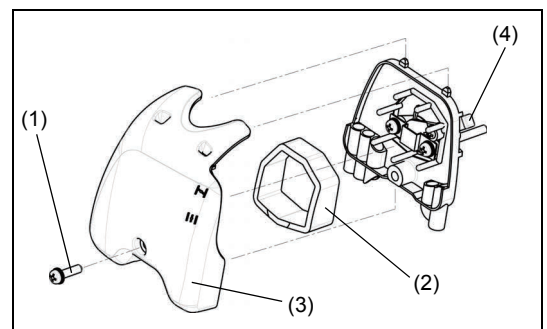
Vérification et entretien quotidiens

- Avant utilisation, vérifiez s'il y a des vis desserrées ou des pièces manquantes sur l'équipement. Soyez particulièrement vigilant avec la lame de coupe ou la tête à fils nylon qui doit être bien serrée.
- Avant utilisation, vérifiez toujours que le passage d'air de refroidissement et les ailettes du cylindre ne sont pas obstrués. Nettoyez-les si nécessaire.
- Procédez comme suit quotidiennement après utilisation :
 - Nettoyez l'extérieur de la débroussailleuse thermique et vérifiez qu'elle n'a pas été endommagée.
 - Nettoyez le filtre à air. Lorsque vous travaillez dans une atmosphère très poussiéreuse, nettoyez le filtre plusieurs fois par jour.
 - Vérifiez d'éventuels dommages au niveau de la lame de coupe ou de la tête à fils nylon et veillez à ce qu'elles soient correctement montées.
 - Assurez-vous qu'il y a une différence suffisante entre la vitesse de ralenti et la vitesse de fonctionnement pour être sûr que l'outil de coupe ne bouge pas lorsque le moteur est au ralenti (si nécessaire, réduisez la vitesse de ralenti).
Si l'outil de coupe continue de tourner pendant le ralentissement du moteur, consultez votre technicien agréé le plus proche.
- Vérifiez que le commutateur l/arrêt (marche/arrêt)/commutateur marche/arrêt, le levier de sécurité, le levier de commande et le bouton de verrouillage fonctionnent tous correctement.



Nettoyage du filtre à air

- Fermez complètement le levier d'étrangleur (4) et tenez le carburateur loin de toute poussière ou impureté.
- Retirez la vis (1).
- Retirez le couvercle du filtre à air (3).
- Retirez l'élément en éponge (2), lavez-le avec de l'eau tiède et laissez-le sécher entièrement.
- Après le nettoyage, remettez le couvercle du filtre à air (3) en place et fixez-le avec une vis (1).

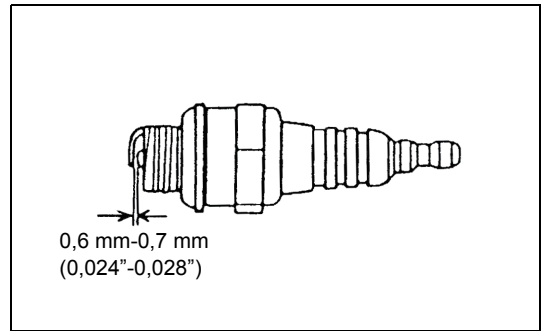


REMARQUE : Si le filtre à air est trop poussiéreux ou trop sale, nettoyez-le tous les jours. Un filtre à air obstrué peut rendre le démarrage ou l'augmentation de la vitesse de rotation du moteur difficile ou impossible.

Vérification de la bougie d'allumage

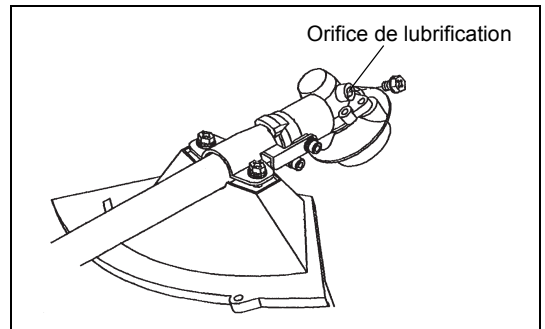
- Utilisez uniquement la clé universelle fournie pour retirer ou installer la bougie d'allumage.
- L'écart entre les deux électrodes de la bougie d'allumage doit être de 0,6-0,7 mm (0,024"-0,028"). Si l'écart est trop important ou trop étroit, ajustez-le. Si la bougie d'allumage est obstruée par du carbone ou des impuretés, nettoyez-la bien ou remplacez-la.

ATTENTION : Ne touchez jamais le connecteur de la bougie d'allumage lorsque le moteur fonctionne (danger de choc électrique à haute tension).



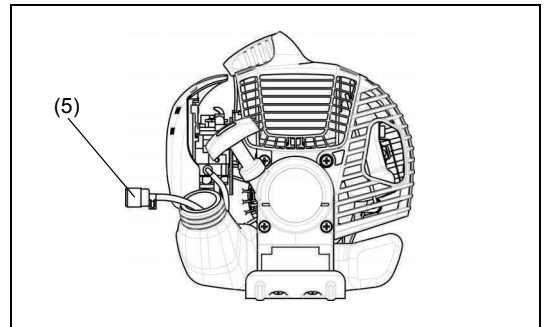
Graissage du carter d'engrenage

- Lubrifiez le carter d'engrenage (Shell Alvania 2 ou équivalent) par l'orifice de lubrification toutes les 30 heures. (Le lubrifiant MAKITA est disponible auprès de votre revendeur MAKITA.)



Hauteur d'aspiration dans le réservoir d'essence

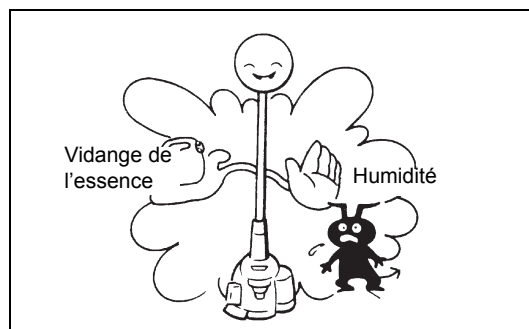
- Le filtre à carburant (5) de la hauteur d'aspiration permet de remplir le réservoir avec l'essence nécessaire, par le carburateur.
- Contrôlez visuellement régulièrement le filtre à carburant. Pour contrôler le filtre, ouvrez le bouchon du réservoir d'essence et tirez la hauteur d'aspiration par l'orifice du réservoir à l'aide d'un crochet métallique. Remplacez le filtre s'il est durci, s'il est devenu particulièrement sale ou s'il est obstrué.
- Si l'alimentation en essence est insuffisante, vous pourriez dépasser la vitesse maximale autorisée. Par conséquent, le filtre à carburant doit être remplacé au moins tous les trois mois afin de garantir une bonne arrivée d'essence dans le carburateur.



Tout autre entretien ou réglage non décrit dans le présent manuel ne doit être effectué que par un technicien agréé.

Entreposage

- Lorsque vous entreposez l'équipement pendant une longue période de temps, videz toute l'essence du réservoir et du carburateur. Pour ce faire, videz tout simplement toute l'essence du réservoir d'essence. Débarrassez-vous de l'essence vidée conformément aux lois locales en vigueur.
- Retirez la bougie d'allumage et ajoutez quelques gouttes d'huile dans l'orifice de celle-ci. Puis, tirez doucement sur le démarreur de sorte que de l'huile recouvre l'intérieur du moteur, puis serrez la bougie d'allumage.
- Nettoyez la poussière ou la saleté sur la lame de coupe et à l'extérieur du moteur, et essuyez avec un chiffon imbibé d'huile. Entreposez l'équipement dans un endroit sec.



Programme d'entretien

Général	Ensemble du moteur, vis et écrous	Contrôlez visuellement qu'il n'est pas endommagé et qu'il est bien serré Vérifiez la condition générale et le niveau de sécurité
Après chaque remplissage du réservoir	Levier de commande Commutateur I/arrêt (marche/arrêt)/Commutateur marche/arrêt	Vérification du fonctionnement Vérification du fonctionnement
Quotidien	Filtre à air Tuyau d'air de refroidissement Outil de coupe Vitesse au ralenti	A nettoyer A nettoyer Vérifiez qu'il n'est pas endommagé et qu'il est affûté Inspection (l'outil de coupe ne doit pas bouger)
Chaque semaine	Bougie d'allumage Silencieux	Inspection, à remplacer si nécessaire Contrôlez et nettoyez l'ouverture si nécessaire
Chaque trimestre	Hauteur d'aspiration Réservoir d'essence	A remplacer A nettoyer
Procédure de mise à l'arrêt	Réservoir d'essence Carburateur	Videz le réservoir d'essence Utilisez la machine jusqu'à ce que le moteur soit à court d'essence

Dépannage

Défaillance	Système	Observation	Cause
Le moteur ne démarre pas ou a du mal à démarrer	Système d'allumage	L'allumage produit une étincelle (ce qui est normal). Pas d'allumage	Défaillance au niveau de l'alimentation en essence ou du système de compression, défaut mécanique Commutateur I/arrêt (marche/arrêt)/commutateur marche/arrêt actionné, défaut de câblage ou court-circuit, bougie d'allumage ou connecteur défectueux, module d'allumage défectueux
	Alimentation en essence	Réservoir plein	Position de l'étrangleur incorrecte, carburateur défectueux, tuyau d'alimentation en essence vrillé ou obstrué, essence encrassée
	Compression	Aucune compression au démarrage	Joint inférieur du cylindre défectueux, joints du vilebrequin endommagés, garnitures du cylindre ou du piston endommagées, mauvaise étanchéité de la bougie d'allumage
	Défaut mécanique	Démarreur non engagé	Ressort du démarreur cassé, pièces cassées à l'intérieur du moteur
Problèmes de démarrage à chaud		Réservoir plein. L'allumage produit une étincelle (ce qui est normal).	Carburateur encrassé, nettoyage impératif
Le moteur démarre, mais s'arrête aussitôt	Alimentation en essence	Réservoir plein	Réglage du ralenti incorrect, carburateur encrassé Évent du réservoir d'essence défectueux, tuyau d'alimentation en essence sectionné, câblage ou commutateur I/arrêt (marche/arrêt)/commutateur marche/arrêt défectueux
Performances insuffisantes	Plusieurs systèmes peuvent être concernés	Faible vitesse de rotation à vide	Filtre à air encrassé, carburateur encrassé, silencieux obstrué, tuyau d'échappement du cylindre obstrué

Gracias por su adquisición de la desbrozadora MAKITA. Las desbrozadoras MAKITA son el producto obtenido a raíz de muchos años de experiencia, conocimiento y programas de desarrollo detallados. Por favor sírvase a leer este folleto detenidamente para asegurar que obtendrá un óptimo desempeño, así como resultados destacados tras el uso de su desbrozadora MAKITA.



Índice	Página
Símbolos	38
Instrucciones de seguridad	39
Especificaciones técnicas	43
Identificación de las piezas	44
Colocación del mango.....	45
Colocación del protector	46
Colocación de la cuchilla cortadora/cabeza cortadora de nailon	47
Combustible/reabastecimiento.....	48
Manejo correcto	49
Puntos importantes de operación/cómo parar la desbrozadora	49
Reafilado de la pieza cortadora	51
Instrucciones para servicio de mantenimiento.....	53
Almacenamiento	55

Símbolos

Durante la consulta de este manual de instrucciones requerirá observar lo que se indica mediante los siguientes símbolos.

	Lea el manual de instrucciones		Use equipo protector para los ojos y oídos (solo para la desbrozadora)
	Tenga particular cuidado y atención		Use casco protector, así como protección ocular y auditiva (solo para la desbrozadora)
	Prohibido		No utilice cuchillas metálicas (solo para la desbrozadora)
	Mantenga una distancia prudente		Velocidad máxima permitida de la herramienta.
	Peligro de objeto volador		Superficies calientes - Quemadura de dedos o manos
	No fumar		Mezcla de combustible y aceite
	No exponga al fuego		Encendido manual del motor
	Se debe usar guantes protectores		Paro de emergencia
	Retrocesos bruscos		Primeros auxilios
	Conserve el área de operación despejada de personas y animales		ENCENDIDO/ARRANCAR
	Use botas resistentes con suelas antiderrapantes. Se recomiendan botas de seguridad con puntas de acero.		APAGADO/PARAR
			ARRANCAR

Instrucciones de seguridad

Instrucciones generales

- Para asegurar una operación correcta, cerciórese de haber leído y comprendido completamente el manual de instrucciones para familiarizarse con el funcionamiento de la desbrozadora. El uso de este equipo sin la comprensión de cómo operarlo correctamente puede que resulte en graves lesiones hacia usted y los demás.
- Preste la desbrozadora solamente a personas con demostrada experiencia en el manejo de desbrozadoras. Incluya siempre el manual de instrucciones al hacer el préstamo del equipo.
- Si esta es su primera vez usando una cortadora motorizada, consulte con su distribuidor las instrucciones básicas.
- No se debe permitir a los niños ni a las personas menores de 18 años usar la desbrozadora. Siempre y cuando estén bajo la supervisión de un instructor calificado, puede que las personas mayores de 16 años usen la herramienta con fines de entrenamiento solamente.
- El uso de desbrozadoras deberá hacerse con el mayor cuidado y atención posibles.
- Use la desbrozadora si se encuentra buena condición física solamente. Realice todo el trabajo tranquila y cuidadosamente. Los usuarios deberán aceptar la responsabilidad por las personas a su alrededor.
- Nunca use la desbrozadora al estar bajo los efectos del alcohol o de medicamentos, o si se siente cansado o enfermo.

ADVERTENCIA: Este equipo produce un campo electromagnético durante la operación. En algunas circunstancias, puede que este campo produzca interferencia de forma activa o pasiva con implantes de dispositivos médicos. Para reducir el riesgo de lesiones graves o letales, recomendamos a las personas con implantes médicos a que consulten con su doctor y con el fabricante del dispositivo antes de usar este equipo.

Uso destinado del equipo

- La desbrozadora está diseñada solamente como cortadora de césped, maleza, arbustos y cizaña, y no debe usarse con otro propósito distinto como el recorte de bordes o podar setos, ya que ignorar esta indicación podría resultar en lesiones.

Equipo protector personal

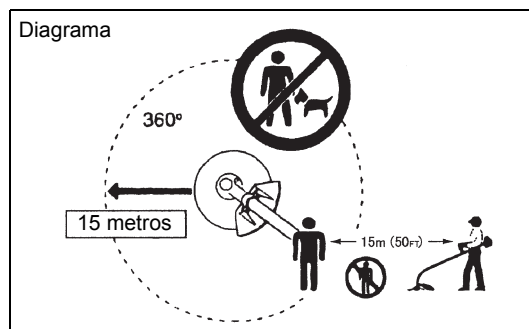
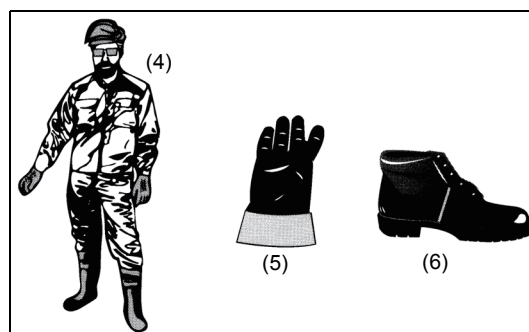
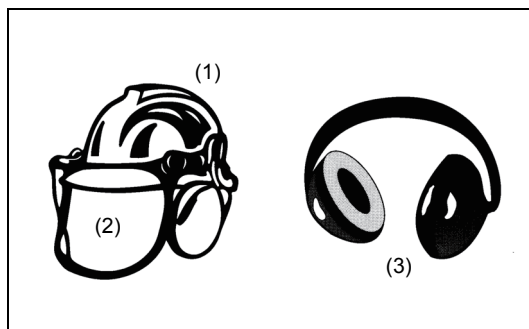
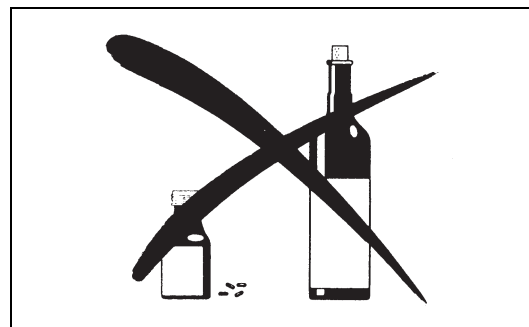
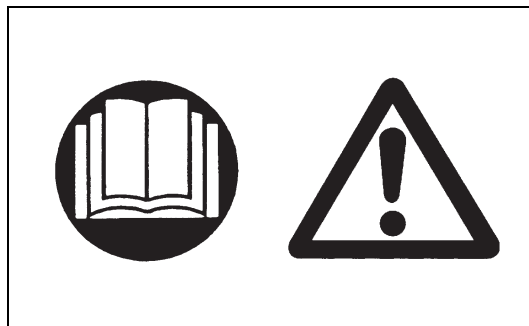
- Use siempre vestimenta adecuada y funcional para el trabajo, por ejemplo, que le quede ceñida al cuerpo pero sin que quede muy apretada que resulte incómoda al movimiento. Evite el uso de joyas o prendas de vestir que podrían enredarse con las ramas o arbustos.
- Para evitar lesiones en la cabeza, ojos, manos o pies, así como para proteger su audición, se requiere el uso del siguiente equipo protector y prendas protectoras durante la operación de la desbrozadora.
- Use casco siempre en donde haya riesgo de caída de objetos. El casco protector (1) debe ser revisado durante intervalos periódicos para ver si tiene daños y debe remplazarse a los 5 años a más tardar. Use solo cascos protectores aprobados.
- El visor (2) del casco (o gafas protectoras como alternativa) protege la cara del arrojamiento de piedras y otros residuos. Durante la operación de la desbrozadora use siempre gafas protectoras o visor para evitar lesiones en los ojos.
- Use equipo adecuado de protección contra el ruido para evitar daño auditivo (orejeras (3), tapones para los oídos, etc.).
- Los overoles de trabajo (4) ofrecen protección contra piedras y residuos que salgan proyectados durante la operación. Recomendamos firmemente que use overol de trabajo.
- Los guantes especiales (5) hechos de piel gruesa forman parte del equipo prescrito y deben usarse siempre durante el uso de la desbrozadora.
- Al usar la desbrozadora, use siempre calzado resistente (6) con suela antiderrapante. Dicho calzado le protegerá de lesiones y asegura un pisado firme.

Riesgos persistentes

- Incluso cuando el equipo se usa como es indicado, no es posible eliminar todos los factores de riesgos persistentes. Puede que los siguientes peligros se presenten en conexión con la construcción y diseño del equipo:
 1. Daños a los pulmones si no se usa una máscara contra el polvo que sea eficaz.
 2. Daños a la audición si no se usa protección para los oídos que sea eficaz.
 3. Daños a la salud que resulten de la vibración emitida si el equipo se usa durante un periodo prolongado o si no se opera ni se le da un mantenimiento de forma adecuada.

Arranque de la desbrozadora

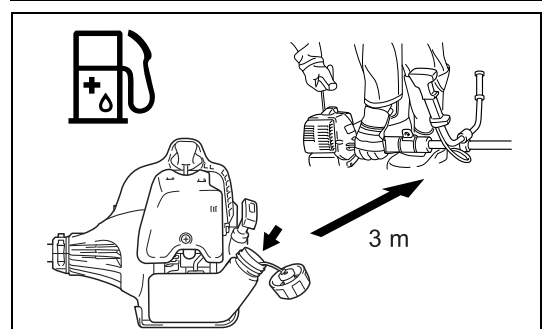
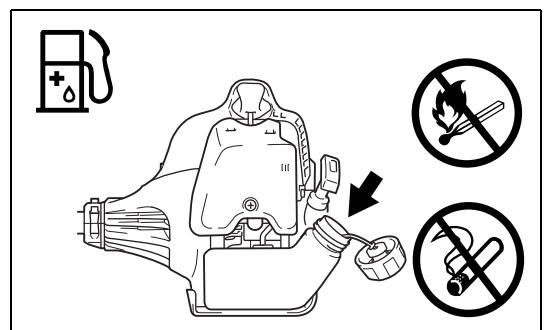
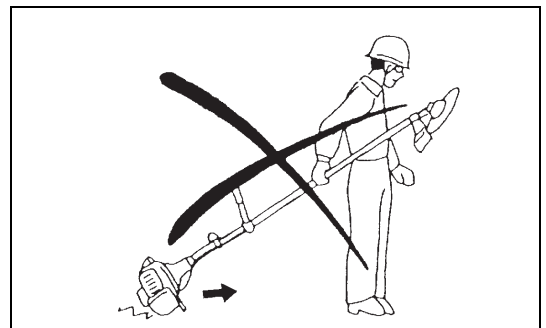
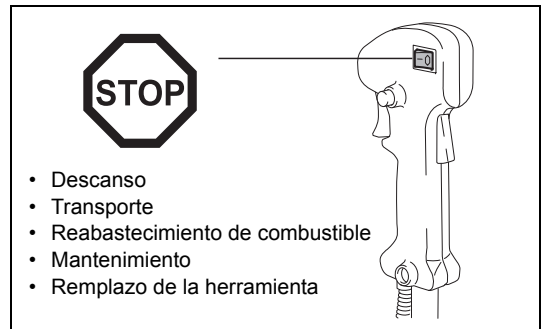
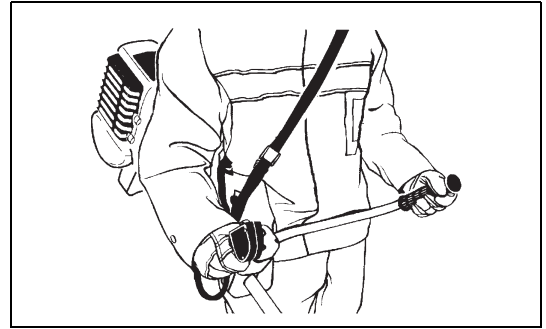
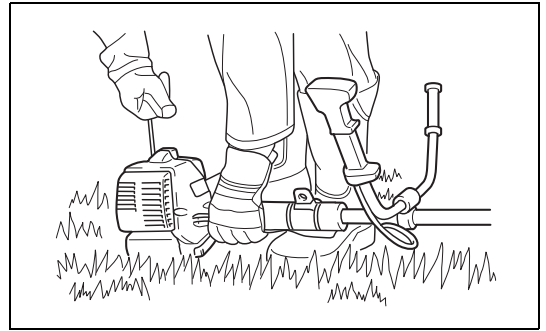
- Asegúrese de que no haya niños ni otras personas en un rango de 15 metros (50 pies), y también ponga atención de que no haya animales alrededor del área de trabajo.
- Antes de usar la desbrozadora, revísela siempre para una operación segura. Verifique que la pieza cortadora esté colocada con firmeza, que la palanca de control pueda operarse con facilidad y que el bloqueo de la palanca de control funcione correctamente.
- La rotación de la pieza cortadora durante la marcha pasiva está prohibida. Consulte con su distribuidor si considera que el equipo puede que requiera de ajustes. Compruebe que los mangos estén limpios y secos, y que el interruptor de arranque/paro funcione correctamente.



- Accione la desbrozadora solo como se describe en las instrucciones. ¡No utilice ningún otro método para arrancar el motor!
- Use la desbrozadora y las herramientas solamente para los propósitos para los cuales se especifica su uso.
- Arranque el motor de la desbrozadora solo tras haber realizado el ensamble completo del equipo. ¡No use el equipo hasta que todos los accesorios correspondientes se encuentren colocados!
- Antes de arrancar el motor asegúrese que la pieza cortadora no esté haciendo contacto con objetos duros como ramas, piedras, etc., ya que esto podría ocasionar rotación de la pieza cortadora al accionarse.
- Apague el motor de inmediato en caso de observar cualquier tipo de problema con el mismo.
- En caso de que la pieza cortadora golpee piedras u otros objetos duros, apague el motor de inmediato y haga una inspección de la pieza cortadora.
- Inspeccione la pieza cortadora durante intervalos periódicos frecuentes para revisar si hay daños (finos agrietamientos que pueden identificarse mediante golpeteos).
- Use la desbrozadora solamente tras haber colocado y ajustado la correa de hombro a una longitud adecuada. La correa de hombro deberá ajustarse de acuerdo al tamaño del usuario y abrocharse para prevenir la fatiga durante la operación del equipo. Nunca sostenga la herramienta con una mano durante la operación.
- Durante la operación, sujete siempre la desbrozadora con ambas manos. Asegúrese siempre de tener un pisado firme.
- Use la desbrozadora de tal forma que evite la inhalación de los gases de escape. Nunca accione el motor en lugares cerrados como en el interior de alguna edificación (riesgo de intoxicación por gases). El monóxido de carbono es un gas inoloro.
- Apague siempre el motor al estar descansando y al no tener su atención sobre la desbrozadora, y colóquela en un lugar seguro para prevenir lesiones a otras personas y daños al equipo en sí.
- Nunca coloque la desbrozadora cuando esté caliente sobre el césped ni sobre otros materiales inflamables.
- La pieza cortadora deberá siempre estar equipada con su protector correspondiente.
¡Nunca opere la herramienta cortadora sin este protector!
- Todos los accesorios protectores suministrados deben ser utilizados durante la operación del equipo.
- Nunca accione el motor si el mofle presenta algún defecto en su funcionamiento.
- Apague el motor mientras desplaza la herramienta de un lugar a otro.
- Al transportar el equipo, coloque siempre la cubierta a la cuchilla cortadora.
- Asegúrese que la desbrozadora quede en una posición segura durante su transporte para evitar la fuga de combustible.
- Al transportar la desbrozadora, asegúrese que el tanque de combustible se encuentre completamente vacío.
- Al descargar la desbrozadora del vehículo, nunca deje caer el motor al suelo ya que podría dañarse el tanque de combustible severamente.
- Salvo en caso de emergencia, nunca deje caer ni arroje la desbrozadora al suelo, ya que podría dañarse severamente.
- Al mover el equipo, levántelo completamente del suelo siempre. Arrastrar el equipo sobre su tanque de combustible es extremadamente peligroso y puede causar fuga de combustible que podría resultar en incendio.
- Si el equipo recibe un golpe fuerte o cae al suelo, revise su condición antes de continuar el trabajo. Revise el sistema de combustible para ver si hay fugas, así como los controles y dispositivos de seguridad para ver si hay alguna falla. Si hay cualquier daño o algo le resulta dudoso, solicite una inspección y servicio de reparación en nuestro centro de servicio autorizado.

Reabastecimiento de combustible

- Apague el motor al estar reabasteciendo el combustible, así mismo manténgase alejado de llamas y no fume mientras realiza el reabastecimiento.
- Asegúrese que los productos de aceite mineral no tengan contacto con su piel. No inhale los vapores o emisiones del combustible. Use siempre guantes protectores durante el reabastecimiento de combustible. Cambie y limpie la vestimenta protectora de forma periódica.
- Para prevenir la contaminación de la tierra (protección ambiental), asegúrese de no derramar el combustible ni el aceite al suelo. Si llega a haber una derrama, limpie la desbrozadora inmediatamente.
- Asegúrese que haya contacto del combustible con su vestimenta. En caso de haberlo, cambie su vestimenta inmediatamente para prevenir un incendio.
- Inspeccione la tapa del depósito de combustible de forma periódica para asegurarse que quede bien sellada al cerrar y que no tenga fugas.
- Apriete a conciencia la tapa del tanque de combustible. Una vez haya completado el reabastecimiento, desplácese a un punto de al menos 3 metros alejado de donde hizo el reabastecimiento para arrancar el motor.



- Nunca reabastezca en lugares cerrados como dentro de alguna habitación. Hacerlo podría causar una explosión debido a la acumulación de las emisiones o gases de combustible a nivel del suelo.
- Transporte y almacene el combustible solamente en contenedores diseñados para ello. Asegúrese de que el combustible almacenado no esté al alcance de los niños.

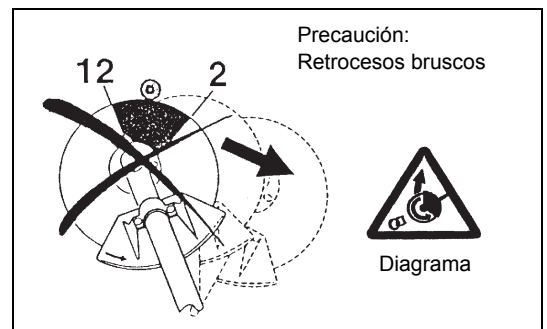
Método de operación

- Use la desbrozadora en lugares con iluminación y visibilidad adecuadas. Durante la época invernal, tenga especial cuidado con las áreas resbalosas y mojadas, como las superficies cubiertas con hielo y nieve (riesgo de resbalones). Asegúrese siempre de tener un pisado firme.
- No haga nunca cortes que le queden por encima de la altura de su cintura.
- Nunca se coloque sobre una escalera mientras usa la desbrozadora.
- Nunca trepe los árboles para usar la desbrozadora.
- Nunca trabaje sobre superficies inestables.
- Despeje el área quitando la arena, las piedras, los clavos, etc. que encuentre dentro del área de trabajo. Los materiales ajenos pueden dañar la pieza cortadora y causar retrocesos bruscos peligrosos.
- Antes de comenzar a cortar, asegúrese de que la pieza cortadora haya alcanzado velocidad completa.
- Si el césped o las ramas quedan atrapadas entre la pieza cortadora y el protector, pare siempre el motor antes de despejar la obstrucción. De lo contrario, puede que la rotación accidental de la pieza cortadora cause lesiones graves.
- Tome un descanso para prevenir la pérdida del control debido al cansancio. Recomendamos tomar un descanso de 10 a 20 minutos por cada hora de trabajo.



Retrocesos bruscos (propulsión en la cuchilla)

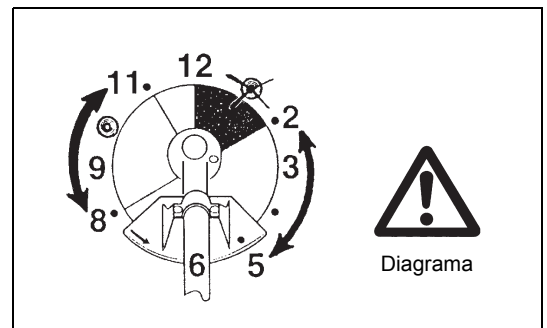
- Puede que se generen retrocesos bruscos al estar operando la desbrozadora.
- Los retrocesos bruscos pueden ocurrir frecuentemente al intentar cortar con la sección de la cuchilla a un ángulo que en un reloj se representaría entre las 12 y las 2 en punto.
- Al hacer cortes, nunca aplique la sección de la cuchilla de la desbrozadora a un ángulo que en un reloj se representaría entre las 12 y las 2 en punto.
- Nunca aplique esta sección de la cuchilla de la desbrozadora a objetos sólidos, como ramas de árboles, etc. que tengan un diámetro mayor a 3 cm. Hacerlo puede causar que la desbrozadora se desvíe con gran fuerza, lo cual es extremadamente peligroso pudiendo resultar en lesiones.



Prevención de retrocesos bruscos

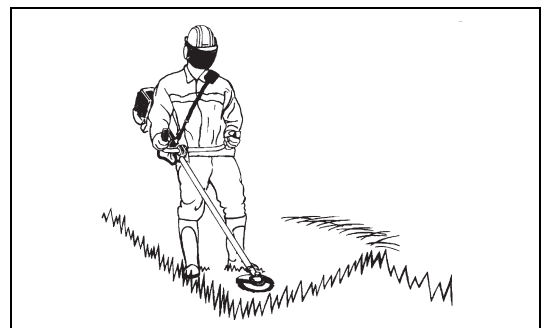
Para evitar retrocesos bruscos, recuerde las siguientes indicaciones:

- Usar la sección de la cuchilla a un ángulo que en un reloj se representaría entre las 12 y las 2 en punto es extremadamente peligroso, especialmente al usar piezas cortadoras metálicas.
- Las operaciones de corte a un ángulo que en un reloj se representaría entre las 11 y 12 en punto, o bien, entre las 2 y 5 en punto, deben realizarse solo por un usuario experimentado y solo bajo su propio riesgo. La sección óptima de corte para un corte sencillo casi sin retrocesos bruscos es con la sección de la cuchilla a un ángulo que en un reloj se representaría entre las 8 y 11 en punto.



Piezas cortadoras

- Use la pieza cortadora correspondiente con el trabajo en cuestión. Las cabezas cortadoras de nailon (cabezas de desbrozadoras) son adecuadas para el recorte del césped. Las cuchillas metálicas son adecuadas para el corte de maleza, césped alto, arbustos, matas, matorrales y similares. Nunca use otras cuchillas, incluyendo cadenas metálicas de múltiples piezas que giran alrededor de un pivote ni cuchillas de dientes horizontales. De lo contrario, esto puede que resulte en graves lesiones.
- Al usar cuchillas metálicas, evite los "retrocesos bruscos" y esté siempre preparado para controlar un retroceso brusco accidental. Refiérase a la sección "Retrocesos bruscos" y "Prevención de retrocesos bruscos".



Instrucciones de mantenimiento

- Lleve su equipo a que le den servicio de mantenimiento a un centro autorizado de servicio, y siempre empleando piezas de repuesto originales. La reparación incorrecta y el mantenimiento deficiente pueden acortar la vida útil del equipo y aumentar el riesgo de accidentes.
- Antes de comenzar la operación, compruebe siempre la condición de la pieza cortadora, en particular de los dispositivos protectores de la pieza cortadora y de la correa de hombro. Se deberá prestar especial atención a las cuchillas cortadoras las cuales deben estar afilados adecuadamente.
- Apague el motor y quite la bujía de encendido de su enchufe al reemplazar o afilar las herramientas de corte, al igual que al limpiar la desbrozadora o la pieza de corte.

Nunca trate de enderezar o doblar las piezas cortadoras dañadas.

- Opere la desbrozadora con el menor ruido y contaminación posibles. En particular, compruebe que el carburador esté correctamente ajustado.
 - Limpie la desbrozadora periódicamente y revise que todas las tuercas y tornillos estén bien apretados.
 - Nunca dé servicio ni almacene la desbrozadora en cercanía de las llamas de algún fuego.
 - Almacene siempre la desbrozadora en lugares bajo llave y con el tanque de combustible vacío.
 - Al transportar el equipo, coloque siempre la cubierta a la cuchilla cortadora.
- Siga las indicaciones relevantes para la prevención de accidentes emitidas por las asociaciones comerciales competentes y compañías aseguradoras.
No haga ninguna modificación sobre la desbrozadora puesto que esto pondría en riesgo su seguridad.



La realización de mantenimiento o reparación por el usuario se limita a aquellas actividades como aparecen descritas en el manual de instrucciones. Todo lo demás debe ser realizado por un agente de servicio autorizado. Use solamente piezas de repuesto y accesorios originales que sean suministrados y comercializados por MAKITA.

El uso de piezas y accesorios no aprobados aumentará el riesgo de accidentes. MAKITA no aceptará responsabilidad alguna por accidentes o daños causados por el uso de piezas cortadoras y aditamentos no aprobados, ni por los accidentes al fijar las piezas cortadoras o accesorios.

Primeros auxilios

En caso de accidentes, asegúrese de contar con un botiquín de primeros auxilios a su alcance durante las operaciones de corte. Reponga inmediatamente cualquier artículo que haya utilizado de su botiquín.

Al solicitar ayuda, por favor proporcione la siguiente información:

- Lugar del accidente
- Lo sucedido
- Número de personas lesionadas
- Tipo de lesiones
- Su nombre

Vibración

- Puede que las personas con deficiencia en su circulación sanguínea que estén expuestas a vibración excesiva sufran de lesiones en los vasos sanguíneos o el sistema nervioso. Puede que la vibración cause los siguientes síntomas generados en los dedos, manos o muñecas: entumecimiento (adormecimiento de las partes del cuerpo), sensación de hormigueo, dolor y punición, así como alteraciones de la piel o del color de ésta. ¡Acuda a su médico si experimenta cualquiera de estos síntomas!
- Para reducir el riesgo de "enfermedad de dedeo blanco", mantenga sus manos tibias durante la operación y dé un mantenimiento adecuado al equipo y los accesorios.



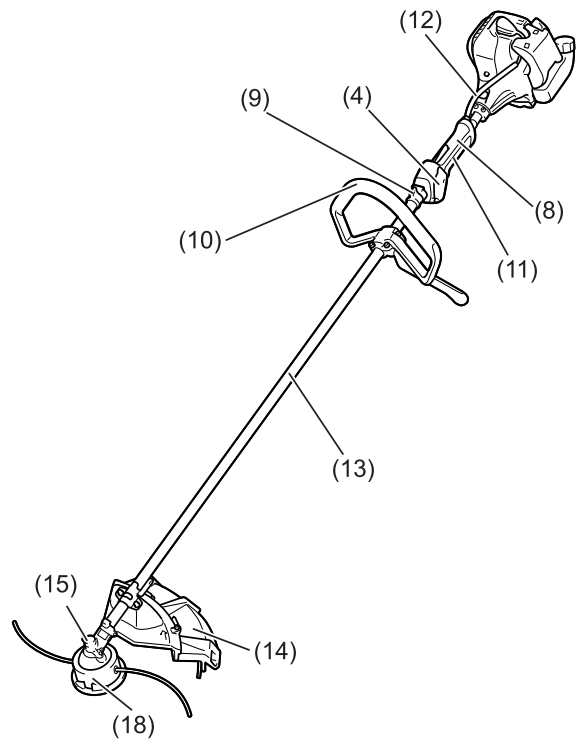
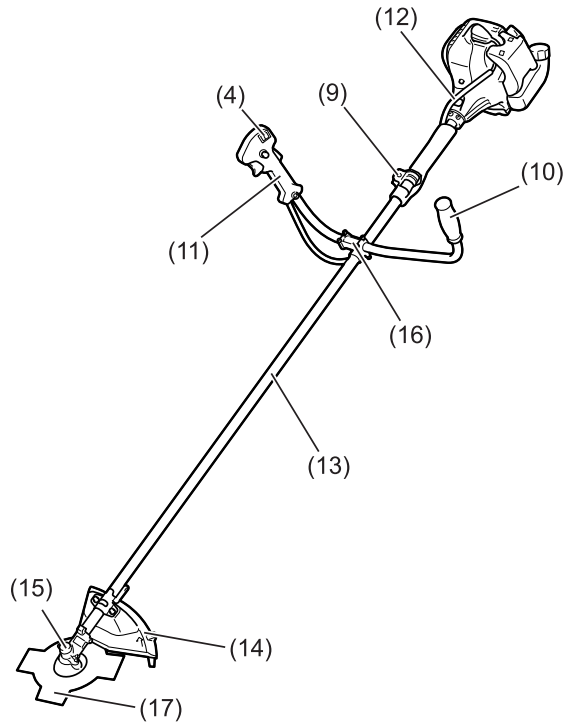
Especificaciones técnicas

Modelo		EM2600U	EM2600L
		Mango U	Mango redondo
Dimensiones: longitud x amplitud x altura (sin cuchilla cortadora)		1 770 mm x 610 mm x 410 mm (69-3/4 x 24 x 16-1/8")	1 770 mm x 330 mm x 185mm (69-3/4 x 13 x 7-1/4")
Peso neto		5 kg (11 lbs)	5 kg (11 lbs)
Desplazamiento del motor		25,7 cm ³ (1,57 plg ³)	
Máximo rendimiento del motor		0,83 kW	
Frecuencia rotacional máxima del eje		8 800/min	
Piezas cortadoras	Cuchilla metálica de pieza única	φ230 mm (9")	
	Cabeza de desbrozadora	φ430 mm (17")	
Velocidad en marcha pasiva		3 000/min	
Velocidad con accionamiento del embrague		4 100/min	
Relación de cambios		14/19	
Combustible		Mezcla de combustible Gasolina: aceite para motor a dos tiempos = 50:1	
Volumen (tanque de combustible)		0,6 L (36,6 plg ³)	
Carburador		WALBRO WYC	
Bujía de encendido		NGK BPMR7A	
Separación de electrodos		0,6 mm - 0,7 mm (0,024 - 0,028")	

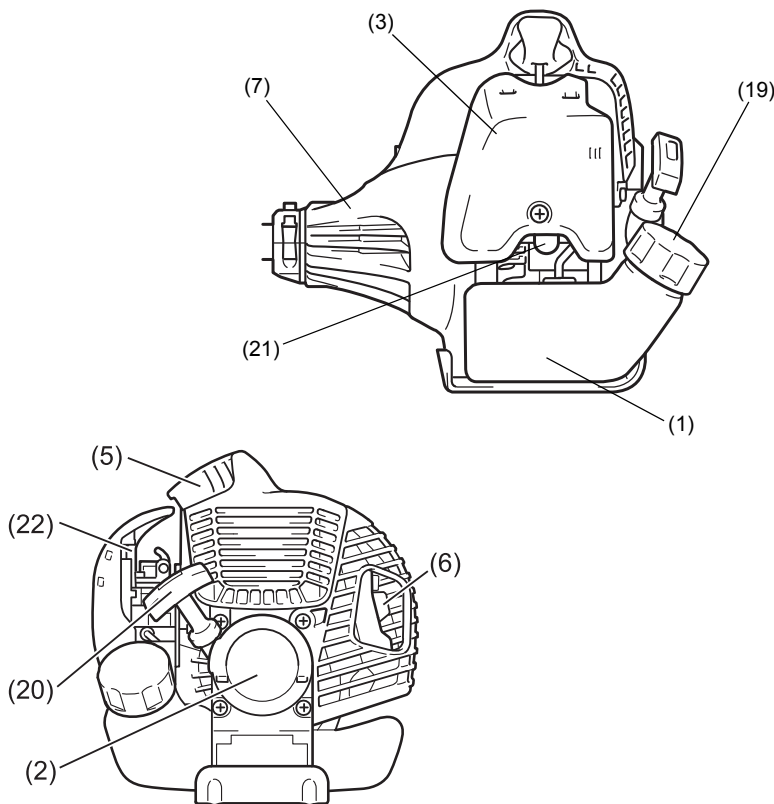
(Para Canadá) NOTA: Este sistema de encendido con bujía cumple con el estándar canadiense ICES-002.

Identificación de las piezas

EM2600U Mango tipo U



EM2600L Mango tipo redondo



Identificación de las piezas	
1	Tanque de combustible
2	Bobina del arrancador
3	Filtro de aire
4	Interruptor I-O ("on/off")/Interruptor de encendido-apagado
5	Bujía de encendido
6	Mofle de escape
7	Carcasa del embrague
8	Empuñadura trasera
9	Colgador
10	Mango
11	Palanca de control
12	Cable de control
13	Astil
14	Protector (de la pieza cortadora)
15	Caja de cambios
16	Sujetador del mango
17	Cuchilla cortadora
18	Cabeza cortadora de nailon
19	Tapa del suministro de combustible
20	Perilla del arrancador
21	Bomba cebadora
22	Palanca dosificadora

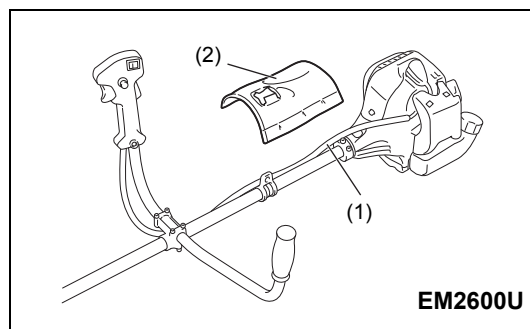
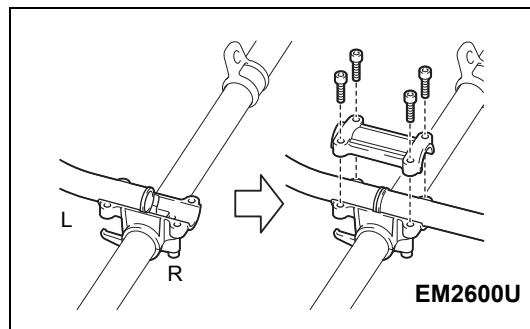
Colocación del mango

- PRECAUCIÓN:** Siempre antes de realizar cualquier servicio sobre la desbrozadora, apague el motor y desconecte la bujía de encendido de su enchufe. ¡Use siempre guantes protectores!
- PRECAUCIÓN:** Asegúrese de haber re-ensamblado la desbrozadora completamente antes de accionarla.

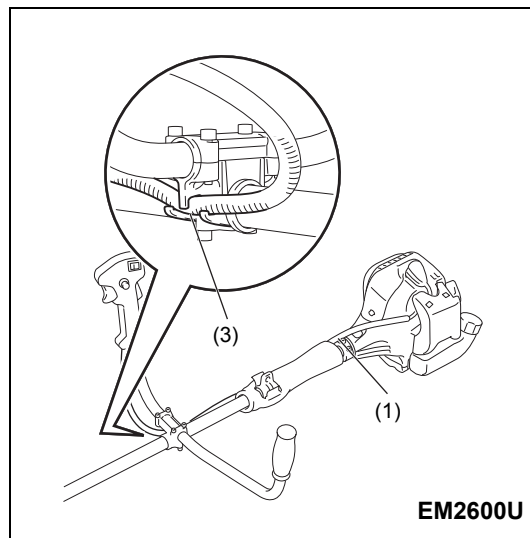


Para modelos con mango U

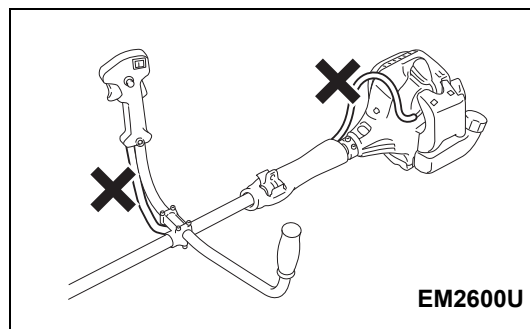
- Coloque los dos mangos en el sujetador del mango. La palanca de control deberá quedar sobre el lado derecho al mirar hacia la pieza cortadora.
 - Encaje los extremos del mango en las ranuras sobre el sujetador del mango y aplique la prensa sobre éstos. Apriete ligeramente con los cuatro pernos para el ajuste.
 - Ajuste el ángulo de los mangos y luego apriete todos los pernos uniformemente con una llave hexagonal.
- Coloque el cable del acelerador (1) al lado de la palanca de control del astil. Luego envuélvalos con la almohadilla del talle (2).



- Inserte el cable del acelerador (1) en la ranura de fijación (3) del sujetador del mango.
- Asegúrese que el cable del acelerador quede posicionado como se ilustra.
- Accione la palanca de control y asegúrese que se desplace sin dificultad.

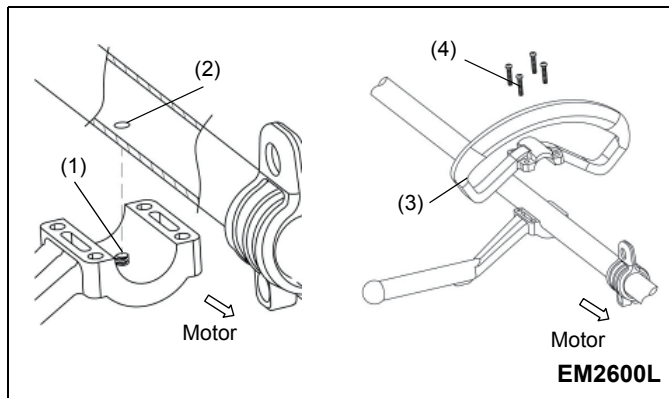


- PRECAUCIÓN:** No posicione el cable del acelerador como se ilustra. De lo contrario un cable curvado puede que cause una velocidad alta en marcha pasiva, resultando en un descontrol de la cuchilla que puede causar lesiones personales.



Para modelo con mango redondo

- Coloque la parte de enroscado (1) del sujetador del mango en el punto del orificio (2) del tubo.
- Fije el mango auxiliar (3) sobre el tope.
- Apriete los 4 pernos (4) M5 x 30.



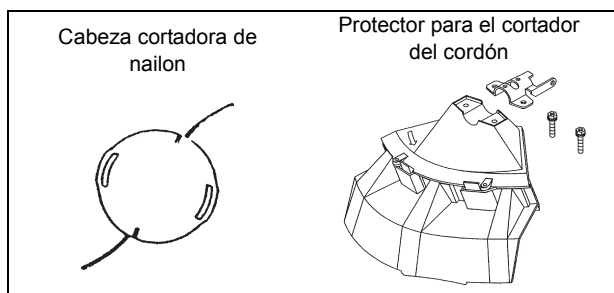
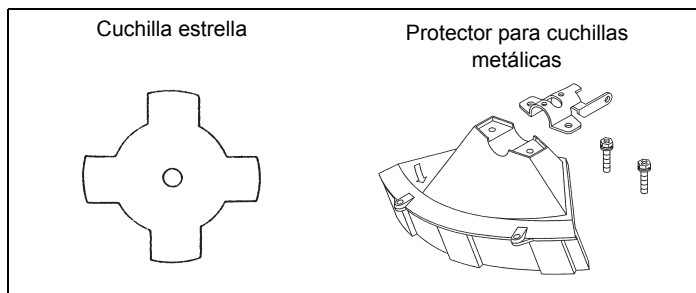
Colocación del protector

Para cumplir con los estándares específicos de seguridad, solo se deberán usar las siguientes combinaciones de la herramienta y sus protectores que se indican en la tabla.



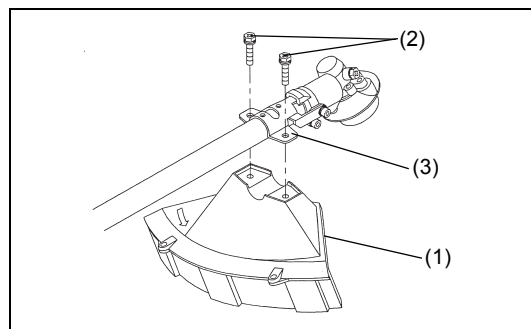
Asegúrese siempre de usar cuchillas cortadoras/cabezas cortadoras de nailon auténticas de MAKITA.

- La cuchilla cortadora debe estar bien pulida y libre de grietas o roturas. Si la cuchilla cortadora golpea contra alguna piedra durante la operación, detenga el motor y revise de inmediato la cuchilla.
- Haga un pulido de la cuchilla cortadora o reemplácela cada tres horas de uso.
- Si la cabeza cortadora de nailon golpea contra una piedra durante la operación, detenga el motor y revise de inmediato la cabeza cortadora de nailon.

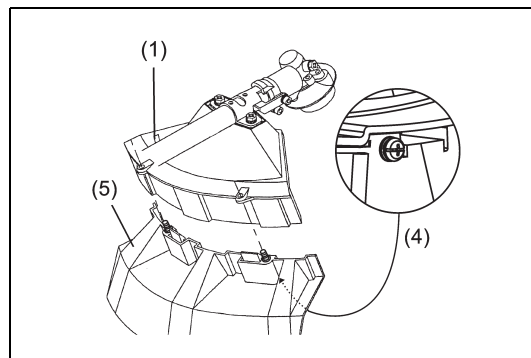


PRECAUCIÓN: Los protectores apropiados deben siempre estar instalados por su propia seguridad para cumplir con las regulaciones sobre prevención de accidentes. Queda prohibida la operación del equipo sin los protectores instalados.

- Fije el protector (1) a la prensa (3) con dos pernos M6 x 30 (2).



- Al usar la cabeza cortadora de nailon, coloque el protector (5) en el protector (1), y apriételos con dos tornillos (4).

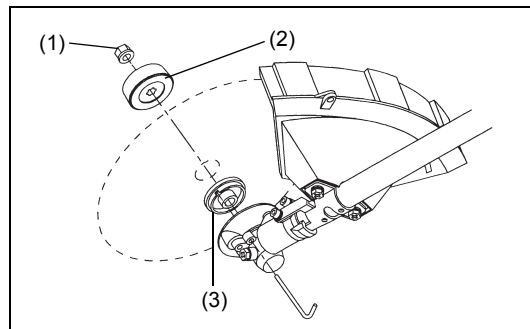


Colocación de la cuchilla cortadora/cabeza cortadora de nailon

La cuchilla cortadora o la cabeza cortadora de nailon se pueden remplazar fácilmente al voltear primero el equipo de cabeza.



- Inserte la llave hexagonal a través del orificio en la caja de cambios y gire la arandela receptora (3) hasta que quede asegurada en la llave hexagonal
- Afloje la tuerca/arandela de resorte (1) (de rosca izquierda) con la llave de tubo, y quite la tuerca/arandela de resorte (1) y la arandela de la prensa (2).



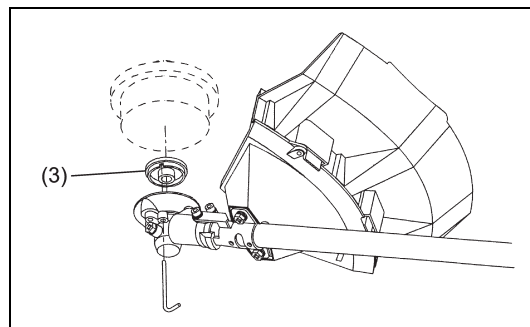
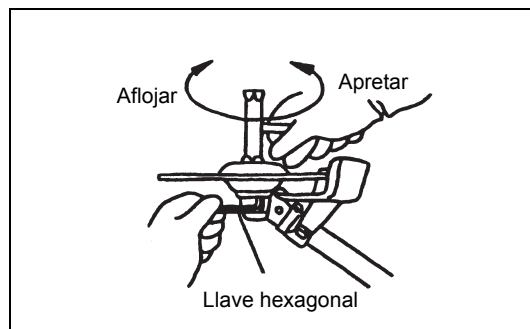
Con la llave hexagonal aún en su lugar

- Coloque la cuchilla cortadora sobre el astil de tal forma que la guía de la arandela receptora (3) encaje con el orificio del eje de la cuchilla cortadora. Coloque la arandela de la prensa (2) y fije la cuchilla cortadora con la tuerca/arandela de resorte (1).
[Torsión de apriete: 13 N-m - 23 N-m]

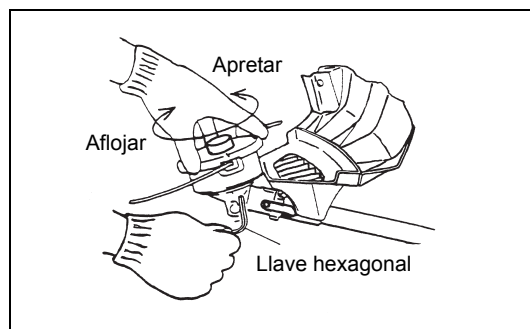
NOTA: Use siempre guantes al manipular de la cuchilla cortadora.

NOTA: La tuerca de sujeción de la cuchilla cortadora (con arandela de resorte) es una pieza que se desgasta. Si se puede apreciar cualquier desgaste o deformación de la arandela de resorte, reemplace la tuerca.

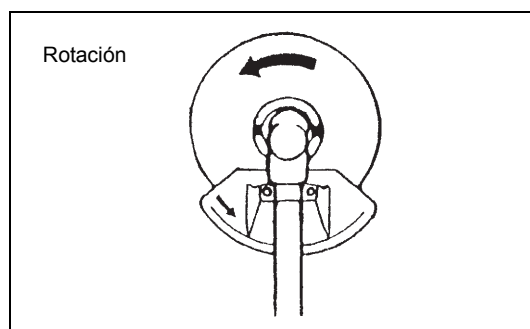
NOTA: La arandela de la prensa (2) y la tuerca/arandela de resorte (1) no se necesitan para la colocación de la cabeza cortadora de nailon. La cabeza cortadora de nailon debe quedar por encima de la arandela receptora (3).



- Enrosque la cabeza cortadora de nailon al astil.



- Asegúrese de que la cuchilla rota en sentido contrario a las agujas del reloj.



Manejo del combustible

Se requiere un máximo cuidado en el manejo del combustible. Puede que el combustible contenga sustancias similares a los disolventes. Haga el reabastecimiento de combustible ya sea en un lugar al aire libre o en un lugar bien ventilado. No inhale las emisiones del combustible y evite cualquier contacto del combustible o aceite con su piel.

Los productos de aceite mineral desgrasan su piel. El contacto prolongado de la piel con estos productos causará que su piel se reseque excesivamente, lo cual puede resultar en varios tipos de enfermedades de la piel. Además, puede que se ocasionen reacciones alérgicas.

Los ojos pueden irritarse por el contacto con el aceite. Si llega a haber contacto del aceite con sus ojos, lávelos inmediatamente con agua limpia. Si sus ojos continúan irritados, consulte a su médico de inmediato.

Mezcla de combustible y aceite

El motor de la desbrozadora es uno de alta eficiencia a dos tiempos. Funciona con una mezcla de combustible y aceite para motor a dos tiempos. El motor está diseñado para combustible común sin plomo con octanaje mínimo de 91 RON. Para obtener un rendimiento óptimo del motor, y para proteger su salud y el ambiente, ¡use combustible sin plomo solamente!

Para la lubricación del motor añada aceite de motor a dos tiempos (calidad de gradiente: JASO FC o ISO EGD) al combustible. El motor ha sido diseñado para usar aceite específico para motor a dos tiempos con una relación de mezcla 50:1 para protección del medio ambiente.

Además, se garantiza un servicio con un tiempo de vida útil prolongado, así como una operación segura con emisiones mínimas al usar esta relación en la mezcla. No es posible garantizar un funcionamiento confiable de la desbrozadora salvo que esta relación en la mezcla de 50:1 (aceite para motor a 2 tiempos especificado) se utilice cabalmente.

Relación correcta de la mezcla:

Gasolina: aceite específico de motor a dos tiempos = 50 : 1 o
Gasolina: aceite de otro fabricante para motor a dos tiempos = 25 : 1
recomendado

NOTA: Para preparar la mezcla combustible-aceite, primero mezcle toda la cantidad completa de aceite con media cantidad del combustible; luego añada el combustible restante. Agite la mezcla a conciencia antes verterla en el tanque de la desbrozadora. Para asegurar la operación segura, no agregue más aceite de motor que la cantidad especificada. Esto solamente resultará en una producción mayor de residuos por combustión, lo cual contaminará el ambiente y congestionará el canal de escape en el cilindro, así como el mofle. Además, el consumo de combustible incrementará y el rendimiento disminuirá.

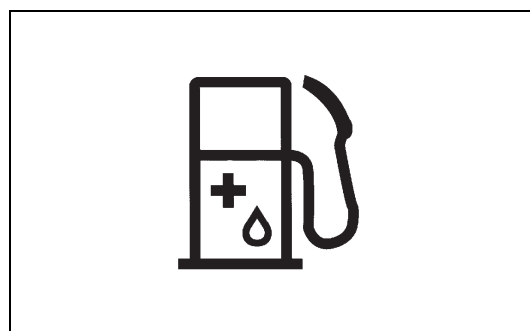
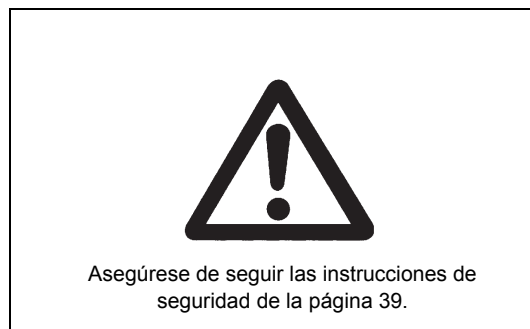
Reabastecimiento de combustible



El motor debe estar apagado.

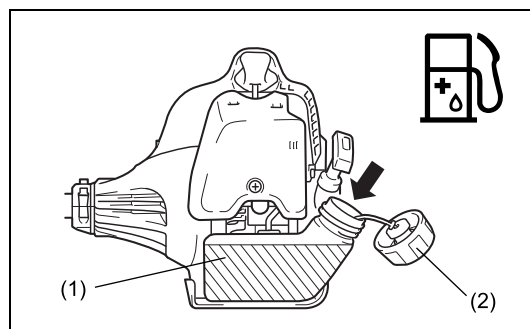
- Limpie muy bien el área alrededor de la tapa del suministro de combustible (2) para prevenir la entrada de partículas o residuos en el tanque (1).
- Desenrosque la tapa del suministro de combustible (2) y abastezca el tanque con el combustible.
- Enrosque firmemente la tapa del suministro de combustible (2).
- Limpie la tapa del suministro de combustible (2) y el tanque tras el abastecimiento.

Almacenamiento del combustible

El combustible no puede almacenarse por tiempo ilimitado. Adquiera solo la cantidad necesaria para un periodo de operación de cuatro semanas. Utilice contenedores para el almacenamiento de combustible que sean aprobados para ello.



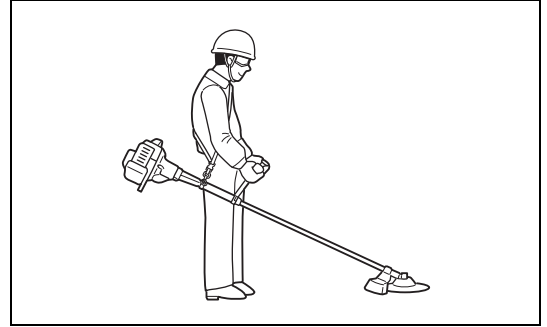
Gasolina	50:1	25:1
	+	
1 000 cm ³ (1 litro)	20 cm ³	40 cm ³
5 000 cm ³ (5 litros)	100 cm ³	200 cm ³
10 000 cm ³ (10 litros)	200 cm ³	400 cm ³



Manejo correcto

Colocación de la correa de hombro

- Ajuste la longitud de la correa de tal forma que la cuchilla cortadora quede paralela con el suelo.

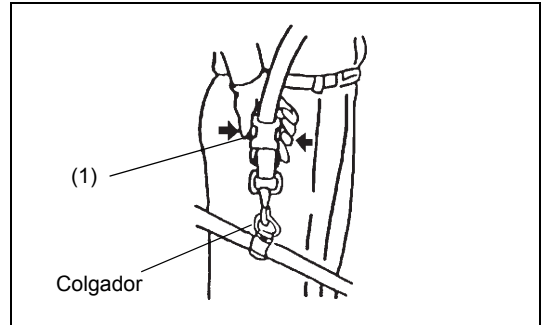


Desprendimiento

- En caso de emergencia, empuje las muescas (1) a ambos lados, y desprenda el equipo.
Tenga extremo cuidado en mantener control sobre el equipo durante este momento. No deje que el equipo se desvíe hacia usted ni hacia otra persona alrededor.

ADVERTENCIA: No tener un completo control del equipo puede resultar en serias lesiones o incluso la MUERTE.

Nota: En algunos países, la correa de hombro no cuenta con esta función de desprendimiento.



Puntos importantes de operación/cómo para la desbrozadora

Siga las normas correspondientes para la prevención de accidentes.



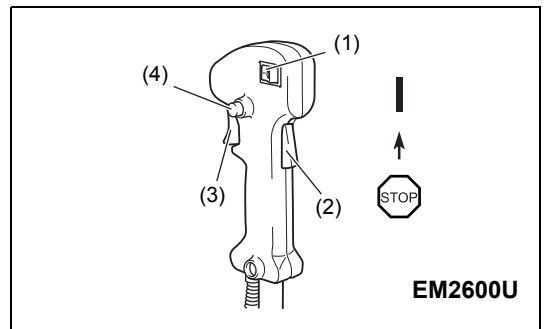
Arranque

Aléjese al menos 3 metros del área en donde reabasteció el combustible. Coloque la desbrozadora sobre una parte despejada del suelo cuidando que la pieza cortadora no tenga contacto con el suelo ni con ningún otro objeto.

ADVERTENCIA: Ponga atención de que la pieza cortadora gire inmediatamente tras arrancar el motor.

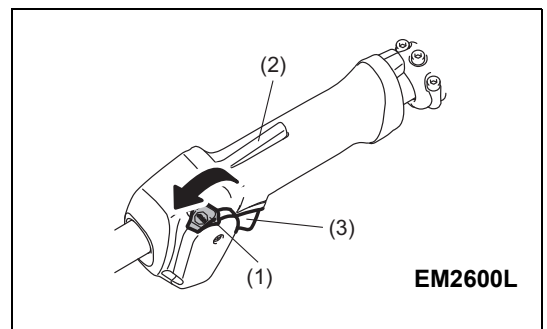
Arranque en frío para modelos con mango U

- Coloque el interruptor I-O ("on/off") (1) como se ilustra.
- Sujete el mango (la presión con la mano activa la palanca de liberación de la palanca de desbloqueo (2)).
- Presione y mantenga presionada la palanca de aceleración (3).
- Presione el botón de fijación (4) y suelte la palanca de control, y después suelte el botón de fijación (éste sostendrá la palanca de aceleración en la posición de arranque).



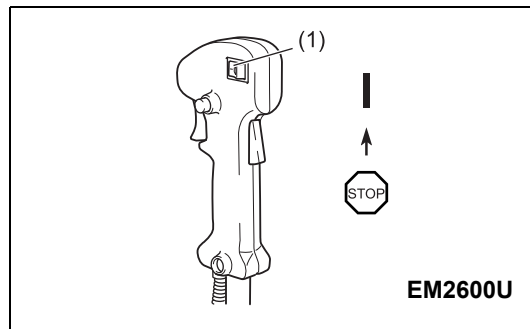
Arranque en frío para modelos con mango redondo

- Coloque el interruptor de encendido-apagado (1) en la posición de arranque como se ilustra.
- Sujete el mango (la presión con la mano activa la palanca de liberación de la palanca de desbloqueo (2)).
- Presione y mantenga presionada la palanca de aceleración (3).
- Ajuste el interruptor de encendido-apagado (1) en la posición de encendido y suelte la palanca de control, soltando luego el interruptor de encendido-apagado (el interruptor de encendido-apagado mantiene la palanca de aceleración en la posición de arranque).



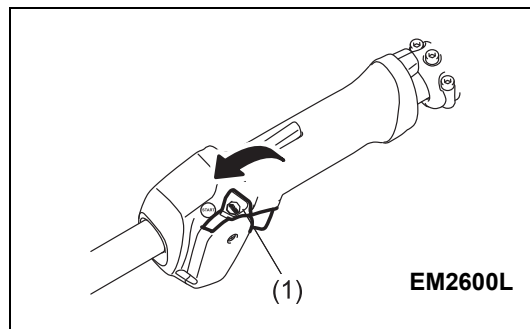
Arranque en caliente para modelos con mango U

- Coloque el interruptor I-O (“on/off”) (1) como se ilustra.



Arranque en caliente para modelos con mango redondo

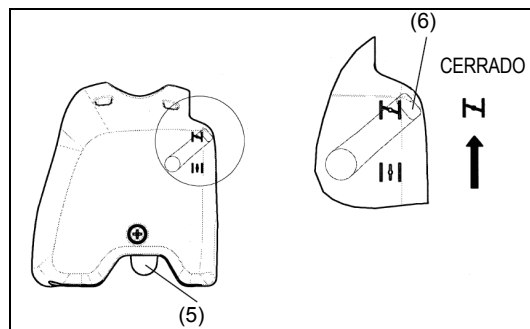
- Coloque el interruptor de encendido-apagado (1) en la posición neutral como aparece ilustrado.



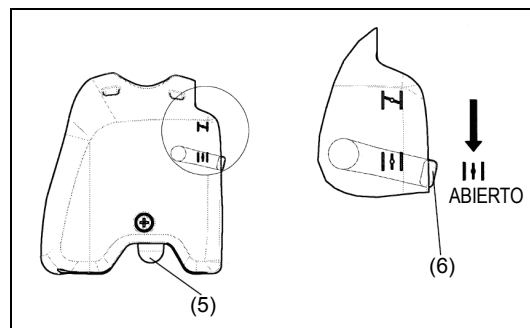
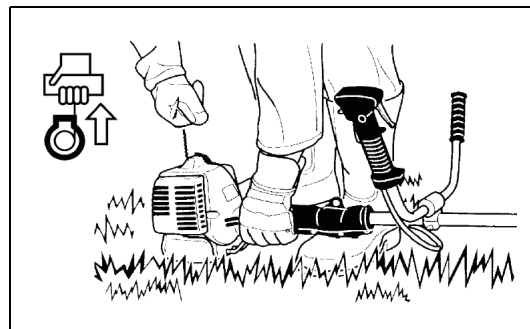
- Primero coloque el equipo en el suelo.
- Oprima suavemente la bomba cebadora (5) de forma repetida (bombeando entre 7 y 10 veces) hasta que el combustible llegue a la bomba cebadora.
- Cierre la palanca dosificadora (6).

Abertura de la dosificación:

- Totalmente cerrada en temperaturas frías o cuando el motor esté frío.
- Total o parcialmente abierta mientras el motor aún esté caliente.



- Sostenga firmemente la carcasa del embrague con su mano izquierda como aparece ilustrado.
- Lentamente jale la empuñadura del arrancador hasta que sienta resistencia, y luego jale abruptamente.
- Evite jalar la cuerda de arranque hasta su máxima extensión, y no suelte el mango de arranque para que se retraiga por sí solo. Mantenga control de la cuerda de arranque y asegure que se retracte lentamente.
- Repita la operación de arranque hasta que escuche los sonidos iniciales de encendido del motor.
- Presione la palanca dosificadora (6) (↓) y jale la cuerda de arranque de nuevo hasta que arranque el motor.
- Tan pronto el motor arranque, inmediatamente dé un golpe ligero en la palanca de aceleración para liberar la fijación a aceleración media y deje que el motor corra en marcha pasiva.
- Deje que el motor continúe corriendo por aproximadamente un minuto a una velocidad moderada antes de aplicar un aceleramiento completo.



- NOTA: – Si el mango de arranque se jala repetidamente mientras la palanca dosificadora permanece en la posición “↕”, el motor no arrancará fácilmente debido a la entrada excesiva de combustible.
- En caso de una entrada excesiva de combustible, retire la bujía de encendido y jale el mango del arrancador lentamente para eliminar el exceso de combustible. También, seque la sección del electrodo de la bujía de encendido.

Precaución durante la operación:

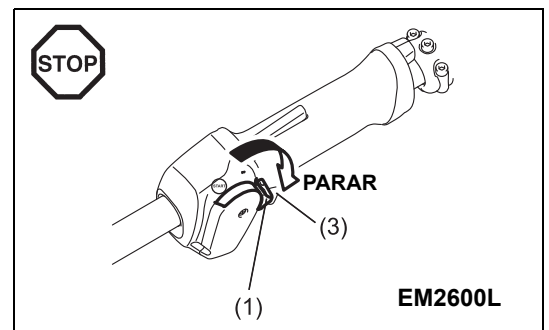
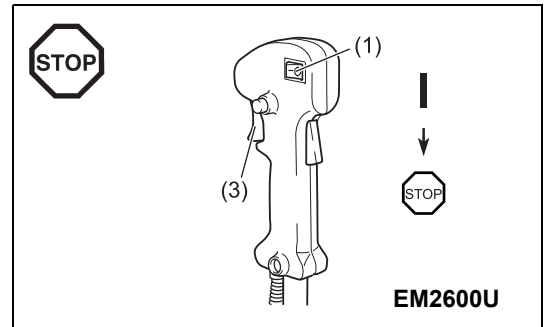
Si la palanca de aceleración es abierta totalmente durante la operación sin carga de trabajo, las revoluciones del motor aumentarán a más de 10 000 r/min. Nunca opere el motor a una velocidad mayor de la necesaria, procurando que esté a una velocidad de entre 6 000 r/min y 8 000 r/min.

PRECAUCIÓN: Desacelere siempre las revoluciones del motor cuando el equipo no esté siendo aplicado en la labor.

La operación del equipo a altas revoluciones cuando no está siendo aplicado a la labor acortará el tiempo de vida útil del equipo.

Paro del motor

- Libere la palanca de aceleración (3) por completo, y al desacelerarse las revoluciones por minuto (velocidad) del motor, presione el interruptor I-O ("on/off")/interruptor de encendido-apagado (1) a la posición PARAR (STOP) para parar el motor.
- Tenga en cuenta que puede que la cabeza cortadora no se detenga inmediatamente, y permita siempre que se desacelere hasta que pare por completo por sí misma.



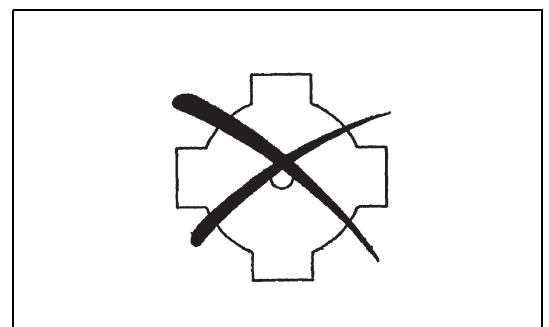
Reafilado de la pieza cortadora

PRECAUCIÓN: Las piezas cortadoras que se indican en la lista a continuación deben ser reafiladas solamente por un centro autorizado. El reafilado manual resultará en una descalibración de la pieza cortadora, lo cual ocasionará vibraciones y daños al equipo.

- cuchilla cortadora (cuchilla estrella de 4 dientes)

Los agentes de servicio autorizado cuentan con un servicio profesional de reafilado y calibración.

NOTA: Para aumentar la vida útil de la cuchilla cortadora (cuchilla estrella), puede que sea volteada hacia el otro lado una vez, hasta que ambos bordes de corte se desafilan.

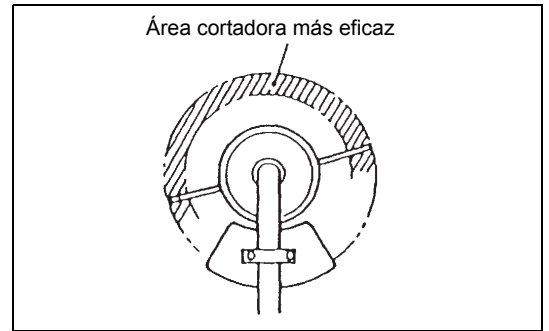


CABEZA CORTADORA DE NAILON

La cabeza cortadora de nailon consiste de una cabeza de recorte de doble cordón que cuenta con un mecanismo de golpeteo y alimentación. La cabeza cortadora de nailon alimenta la salida del cordón de nailon tras el leve golpeteo de la cabeza cortadora contra el suelo.

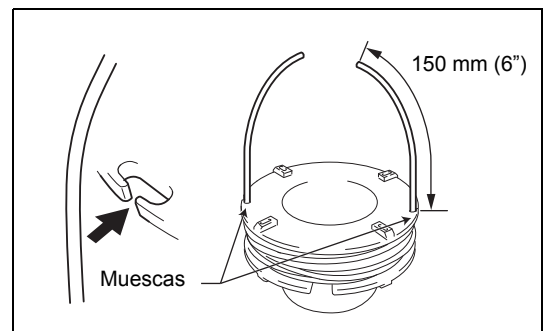
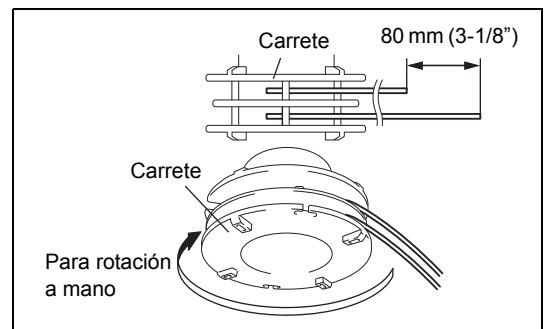
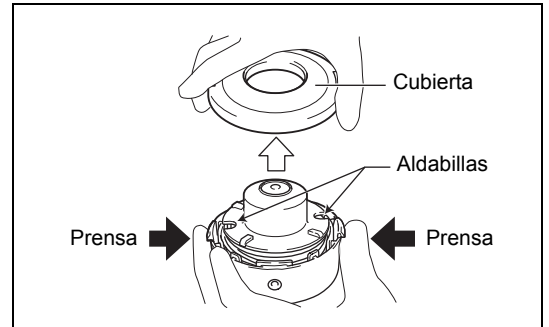
Operación

- El área de corte más eficiente se muestra por el área sombreada.
- Para alimentar la salida del cordón de nailon, aumente la velocidad de la cabeza cortadora de nailon a alrededor de 6 000 r/min y golpetee ligeramente la cabeza cortadora contra el suelo.
- Si la cabeza cortadora de nailon no reacciona al golpeteo, retracte/remplace el cordón de nailon siguiendo los procedimientos descritos en "Reemplazo del cordón de nailon".

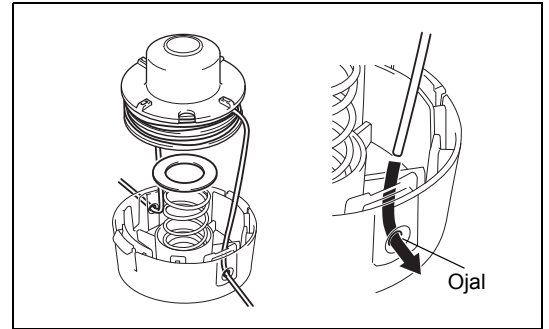


Reemplazo del cordón de nailon

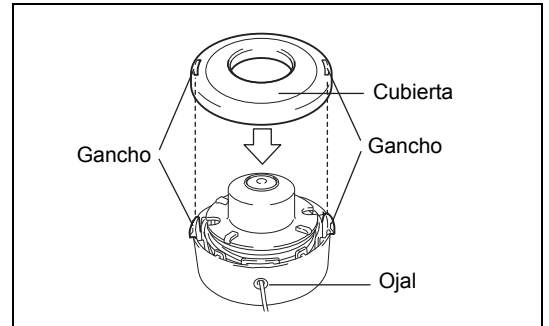
- Pare el motor.
- Presione hacia adentro sobre las aldabillas de la carcasa para levantar la cubierta y luego retire el carrete.
- Enganche el centro del nuevo cordón de nailon (nylon) en la muesca central del carrete, con uno de los extremos del cordón extendido unos 80 cm (3-1/8") más que el otro. Luego embobine ambos extremos firmemente alrededor del carrete en dirección de la rotación de la cabeza (dirección a mano izquierda indicada por LH y dirección a mano derecha indicada por RH sobre el costado del carrete).
- Embobine todo salvo unos de 150 mm (6") de los cordones alrededor del carrete, dejando los extremos temporalmente enganchados a través de la muesca en el costado del carrete.



- Alimente los cordones a través de los ojales para que salgan de la carcasa. Coloque la arandela, el muelle (resorte) y el carrete en la carcasa.



- Alinee los ganchos con la cubierta y la carcasa. Luego empuje la cubierta con firmeza en la carcasa para fijarla.



Instrucciones para servicio de mantenimiento

Instrucciones para servicio de mantenimiento

PRECAUCIÓN: Antes de realizar cualquier servicio de mantenimiento sobre la desbrozadora, apague siempre el motor y quite la bujía de encendido de su enchufe (remítase a "Revisión de la bujía de encendido").

Use siempre guantes protectores.

PRECAUCIÓN: Nunca quite el arrancador retráctil por usted mismo. Hacerlo puede que ocasione un accidente. Este procedimiento deberá realizarse solamente por un agente de servicio autorizado.

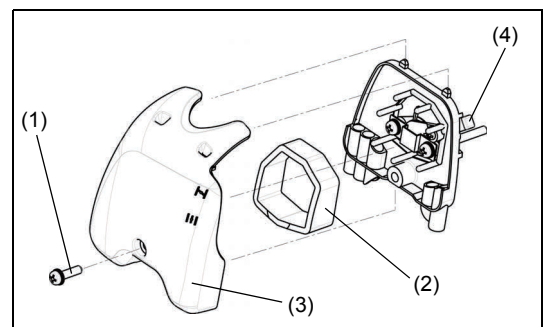
Para asegurar un tiempo de vida prolongado y evitar cualquier daño al equipo, proceda con las siguientes operaciones de mantenimiento de forma periódica.

Inspección y mantenimiento a diario

- Antes de la operación, revise el equipo para ver si hay tornillos sueltos o piezas ausentes. Ponga especial atención a qué tan bien apretado está la cuchilla cortadora o la cabeza cortadora de nailon.
- Antes de la operación, revise y asegúrese que no haya obstrucciones en el conducto de aire para el enfriamiento, ni en las rendijas del cilindro.
Limpie de ser necesario.
- Realice la siguiente labor diaria de mantenimiento tras el uso:
 - Limpie la desbrozadora externamente e inspeccione para ver si hay daños.
 - Limpie el filtro de aire. Al trabajar en entornos con demasiado polvo, limpie el filtro varias veces al día.
 - Revise si la cuchilla o la cabeza cortadora de nailon presenta daños, y asegúrese de que esté firmemente colocada.
 - Revise que haya suficiente diferencia entre las velocidades en marcha pasiva y en marcha de operación activa para asegurar que la pieza cortadora se detenga por completo mientras el motor esté en marcha pasiva (reduzca la velocidad de marcha pasiva en caso de ser necesario).
Si la pieza cortadora continúa girando durante la marcha pasiva, acuda a su agente de servicio autorizado más cercano.
- Revise que el interruptor I-O ("on/off")/interruptor de encendido-apagado, la palanca de desbloqueo, la palanca de control y el botón de fijación funciones correctamente.

Limpieza del filtro de aire (filtro)

- Gire la palanca dosificadora (4) completamente al lado cerrado y mantenga el carburador fuera de polvo y tierra.
- Quite el tornillo (1).
- Retire la cubierta del filtro de aire (3).
- Retire el elemento de esponja (2), lávelo en agua tibia y séquelo por completo.
- Tras la limpieza, vuelva a colocar la cubierta del filtro de aire (3) y fjela con el tornillo (1).

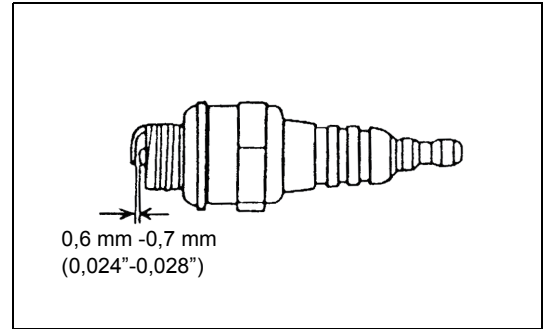


NOTA: Si hay demasiado polvo o residuos pegados al filtro de aire, limpie diariamente. Puede que un filtro de aire congestionado dificulte o no permita arrancar el motor ni incrementar su velocidad rotacional.

Revisión de la bujía de encendido

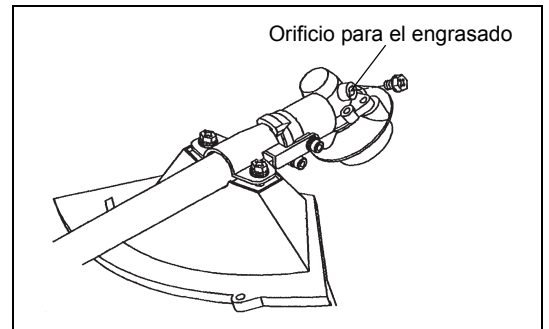
- Use solamente la llave universal incluida para quitar o poner la bujía de encendido.
- El espacio entre los dos electrodos de la bujía de encendido debe ser de 0,6 mm a 0,7 mm (0,024" a 0,028"). Si el espacio está muy amplio o muy estrecho, ajústelo. Si la bujía de encendido está congestionada con residuos de carbón o está sucia, límpiela bien o replácela.

PRECAUCIÓN: Nunca toque el conector de la bujía de encendido mientras el motor está corriendo (peligro de descarga eléctrica de alto voltaje).



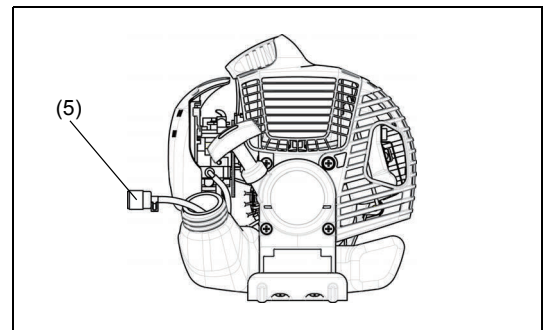
ENGRASADO DE LA CAJA DE CAMBIOS

- Aplique grasa (Shell Alvania 2 o equivalente) a la caja de cambios por el orificio para el engrasado cada 30 horas (la grasa original MAKITA puede adquirirse con su distribuidor de productos MAKITA).



Cabeza de succión en el tanque de combustible

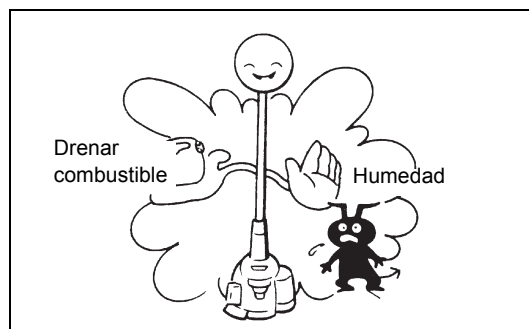
- El filtro de combustible (5) de la cabeza de succión se utiliza para suministrar el combustible requerido por el carburador.
- Haga una inspección visual del filtro de combustible de forma habitual. Para inspeccionar el filtro, proceda con abrir la tapa del filtro de combustible y utilice un gancho de alambre para jalar la cabeza de succión a través de la abertura del tanque. Reemplace el filtro si se ha endurecido, se ha vuelto particularmente sucio o se ha congestionado.
- El suministro insuficiente de combustible puede resultar en que la velocidad máxima permitida sea excedida. Por lo tanto, el filtro de combustible debe remplazarse al menos una vez cada tres meses para asegurar un suministro adecuado de combustible al carburador.



Cualquier otro servicio de mantenimiento o ajuste que no esté descrito en este manual deberá realizarse por un agente de servicio autorizado solamente.

Almacenamiento

- Al almacenar el equipo por un periodo prolongado, drene todo el combustible del tanque de combustible y del carburador. Para esto, simplemente drene todo el combustible del tanque de combustible. Despoje el combustible drenado en cumplimiento con las legislaciones aplicables en su región.
- Retire la bujía de encendido y añada algunas gotas de aceite en el enchufe de ésta. Luego, jale el arrancador suavemente de tal forma que el aceite cubra el motor por dentro, colocando y apretando luego la bujía de encendido.
- Limpie cualquier residuo que haya en la cuchilla cortadora y fuera del motor con un paño humedecido en aceite. Almacene el equipo en un lugar seco.



Programa de mantenimiento

Generales	Ensamble del motor, tornillos y tuercas	Inspección visual para daños y que tan bien están apretados los tornillos Revisión de la condición general y la seguridad
Después de cada reabastecimiento de combustible	Palanca de control Interruptor I-O ("on/off")/Interruptor de encendido-apagado	Revisión funcional Revisión funcional
Diario	Filtro de aire Conducto del aire de enfriamiento Pieza cortadora Velocidad en marcha pasiva	A ser limpiado A ser limpiado Revisión de daños y del filo Inspección (la pieza de corte no debe moverse)
Semanal	Bujía de encendido Mofle	Inspección, remplazo cuando sea necesario Inspeccione y limpie la abertura de ser necesario
Trimestral	Cabeza de succión Tanque de combustible	A ser remplazado A ser limpiado
Procedimiento de apagado	Tanque de combustible Carburador	Vaciar el tanque de combustible Utilizar hasta que el motor agote el combustible

Resolución de problemas

Falla	Sistema	Observación	Causa
El motor no arranca o su arranque se dificulta	Sistema de encendido	Sí hay chispa de encendido	Falla en el suministro de combustible o sistema de compresión; problema mecánico
		No hay chispa de encendido	Falla en la operación del interruptor I-O ("on/off")/ interruptor de encendido-apagado; falla en el cableado o corto circuito; defecto en la bujía de encendido o su enchufe; problema en el módulo de encendido
	Suministro de combustible	Tanque de combustible lleno	Posición incorrecta del dosificador; carburador defectuoso; línea de suministro de combustible doblada o bloqueada; combustible impuro
	Compresión	No hay compresión al dar el jalón	Empaque defectuoso en el fondo del cilindro; daños en el sellado del cigüeñal; cilindro o anillos de pistones defectuosos o sellado inadecuado de la bujía de encendido
Problemas al arrancar el motor ya calentado	Falla mecánica	Arrancador no embraga	Muelle (resorte) del arrancador roto; piezas rotas dentro del motor
		Tanque lleno. Sí hay chispa de encendido	Carburador contaminado, debe limpiarse
El motor arranca pero se apaga	Suministro de combustible	Tanque lleno	Ajuste incorrecto de la marcha pasiva; carburador contaminado Respiradero del tanque defectuoso; obstrucción de la línea de suministro de combustible; falla en el cable interruptor I-O ("on/off")/interruptor de encendido-apagado
Rendimiento deficiente	Puede que varios sistemas del equipo se vean afectados a la vez	Ineficiencia de la marcha pasiva del motor	Filtro de aire contaminado; carburador contaminado; congestión del mofle; congestión del conducto de escape en el cilindro

<USA only>

 **WARNING**

The engine exhaust from this product contains chemicals known to the State of California to cause cancer, birth defects or other reproductive harm.

<USA solamente>

 **ADVERTENCIA**

Los gases de escape del motor de este producto contienen sustancias químicas conocidas en el Estado de California como causantes de cáncer, defectos genéticos y otros problemas relacionados con la reproducción.

Makita Corporation

3-11-8, Sumiyoshi-cho,
Anjo, Aichi 446-8502 Japan

EM2600U-NA3-1708

ALA

www.makita.com