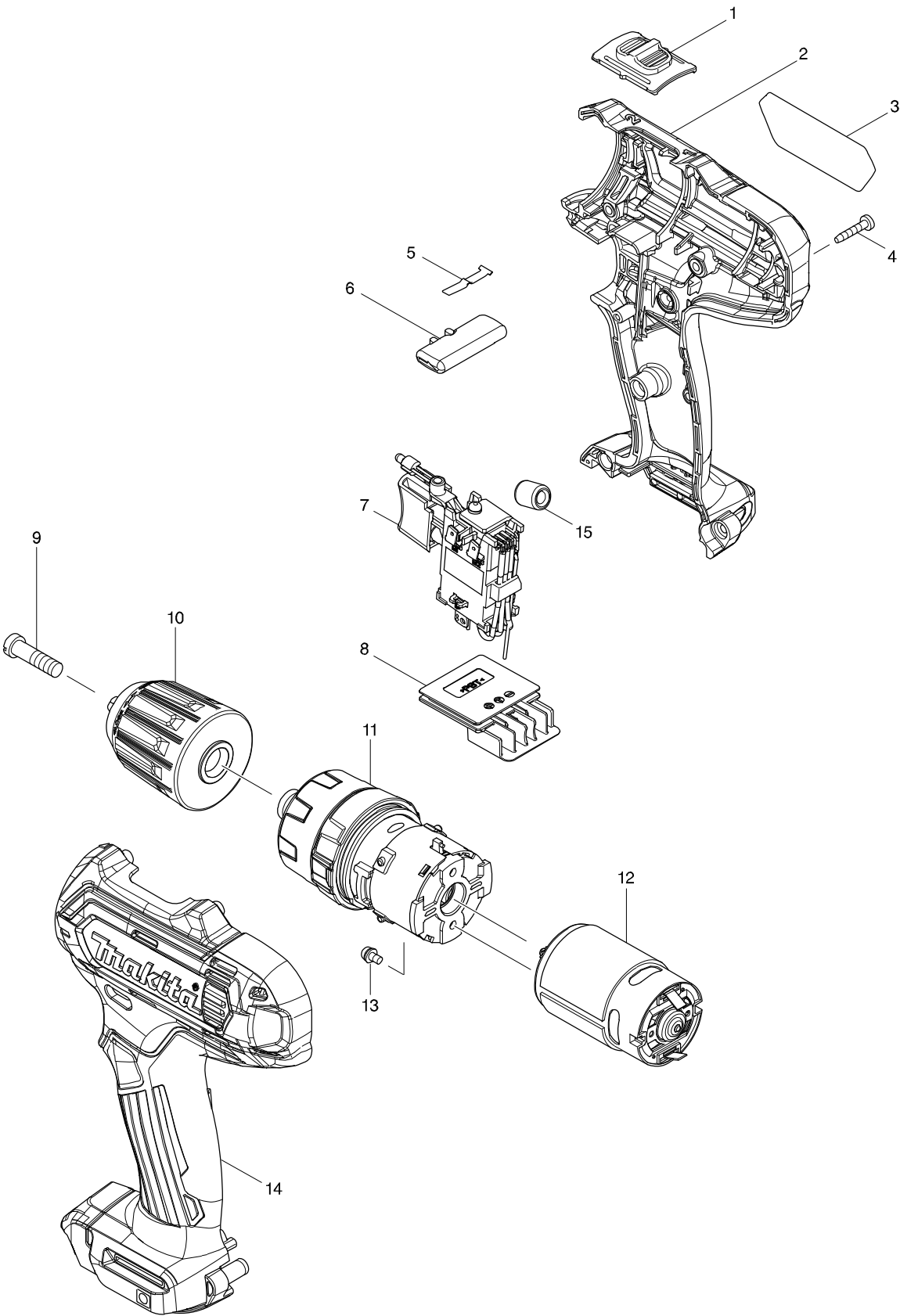


Model No. HP331D CORDLESS HAMMER DRIVER DRILL



Model No. HP331D CORDLESS HAMMER DRIVER DRILL

| Item | Parts No. | Description | I/C | Qty | N/O | Opt. 1 | Opt. 2 | Note |
|-------|-----------|-----------------------------|-----|-----|-----|--------|--------|------|
| 001 | 126233-0 | SPEED CHANGE LEVER ASSEMBLY | | 1 | | | | |
| C10 | 231433-0 | COMPRESSION SPRING 4 | | 2 | | | | |
| 002 | 183B50-3 | HOUSING SET | | 1 | | | | |
| C10 | 252126-6 | HEX. LOCKING NUT M4-7 | | 2 | | | | |
| D10 | | INC. 14 | | | | | | |
| 003 | 851H13-0 | HP331D NAME PLATE | | 1 | | | | |
| 004 | 266429-2 | TAPPING SCREW 3X16 | | 9 | | | | |
| 005 | 232239-9 | LEAF SPRING | | 1 | | | | |
| 006 | 456039-5 | F/R CHANGE LEVER | | 1 | | | | |
| 007 | 632F43-6 | SWITCH UNIT | | 1 | * | | | |
| C10 | 620463-0 | LED CIRCUIT | | 1 | * | | | |
| 007-1 | 632J77-3 | SWITCH UNIT | < | 1 | | | | |
| C10 | 620625-0 | LED CIRCUIT | | 1 | | | | |
| 008 | 644813-5 | TERMINAL | | 1 | | | | |
| 009 | 251468-5 | - FLAT HEAD SCREW M6X22 | | 1 | | | | |
| 010 | 763229-6 | KEYLESS DRILL CHUCK 10 | | 1 | | | | |
| 011 | 123502-0 | GEAR ASS'Y | | 1 | | | | |
| 012 | 629167-1 | DC MOTOR | | 1 | | | | |
| 013 | 911003-8 | PAN HEAD SCREW M3X6 | | 2 | | | | |
| 014 | 183B50-3 | HOUSING SET | | 1 | | | | |
| C10 | 252126-6 | HEX. LOCKING NUT M4-7 | | 2 | | | | |
| D10 | | INC. 2 | | | | | | |
| A01 | 251314-2 | + SCREW M4X12 | | 1 | | | | |
| A02 | 346909-5 | HOOK | | 1 | | | | |
| A03 | 784202-3 | PHILLIPS BIT 2-45 | | 1 | | | | |
| A04B | 456128-6 | BATTERY COVER | | 1 | | | | |
| A04C | 456128-6 | BATTERY COVER | | 1 | | | | |
| A04D | 456128-6 | BATTERY COVER | | 1 | | | | |
| A04E | 456128-6 | BATTERY COVER | | 1 | | | | |
| A04F | 456128-6 | BATTERY COVER | | 1 | | | | |
| A04H | 456128-6 | BATTERY COVER | | 1 | | | | |
| A05B | ***DC10SB | DC10SB BATTERY CHARGER | | 1 | | | | |
| D10 | | COMPO-PARTS | | | | | | |
| A05C | ***DC10WD | DC10WD BATTERY CHARGER | | 1 | | | | |
| D10 | | COMPO-PARTS | | | | | | |
| A05D | ***DC10WD | DC10WD BATTERY CHARGER | | 1 | | | | |
| D10 | | COMPO-PARTS | | | | | | |
| A05E | ***DC10SB | DC10SB BATTERY CHARGER | | 1 | | | | |
| D10 | | COMPO-PARTS | | | | | | |
| A05F | ***DC10SB | DC10SB BATTERY CHARGER | | 1 | | | | |
| D10 | | COMPO-PARTS | | | | | | |
| A05H | ***DC10SB | DC10SB BATTERY CHARGER | | 1 | | | | |
| D10 | | COMPO-PARTS | | | | | | |
| A06B | 197406-2 | BATTERY BL1041B SET | | 2 | | | | |
| A06C | 197396-9 | BATTERY BL1021B SET | | 2 | | | | |
| A06D | 197393-5 | BATTERY BL1016 SET | | 2 | | | | |
| A06E | 197393-5 | BATTERY BL1016 SET | | 2 | | | | |
| A06F | 197396-9 | BATTERY BL1021B SET | | 2 | | | | |

