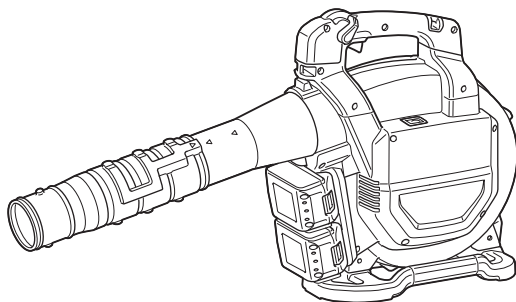


INSTRUCTION MANUAL
MANUEL D'INSTRUCTION
MANUAL DE INSTRUCCIONES



Cordless Blower
SOUFFLEUR SANS FIL
(ASPIRO / SOUFFLEUR (SANS FIL))
Sopladora Inalámbrica

DUB363



IMPORTANT: Read Before Using.

IMPORTANT : Lire avant usage.

IMPORTANTE: Lea antes de usar.

SPECIFICATIONS

| Model: | | DUB363 |
|---------------------------|---------------------|---|
| Capacities | Air volume | 0 - 13.4 m ³ /min (0 - 473 cu.ft./min) |
| | Air speed (average) | 0 - 54 m/s (0 - 120 MPH) |
| | Air speed (max.) | 0 - 65 m/s (0 - 145 MPH) |
| Dimensions (L x W x H) *1 | | 341 mm x 193 mm x 415 mm (13-3/8" x 7-5/8" x 16-3/8") |
| Rated voltage | | D.C. 36 V |
| Net weight | Blower *2 | 3.8 - 5.2 kg (8.4 - 11.5 lbs) |
| | Vacuum *3 | 6.0 - 6.6 kg (13.2 - 14.6 lbs) |

*1. Without pipes, nozzles, dust bag, shoulder strap, and battery cartridges.

*2. With blower pipe, end nozzle and flat nozzle, and without suction pipe, suction nozzle, elbow pipe, dust bag and shoulder strap.

*3. With suction pipe, suction nozzle, elbow pipe, dust bag and shoulder strap, and without blower pipe, end nozzle and flat nozzle.

- Due to our continuing program of research and development, the specifications herein are subject to change without notice.
- Specifications may differ from country to country.
- The weight may differ depending on the attachment(s), including the battery cartridge. The lightest and heaviest combination, according to EPTA-Procedure 01/2014, are shown in the table.

Applicable battery cartridge and charger

| | |
|-------------------|--|
| Battery cartridge | BL1815N / BL1820B / BL1830 / BL1830B / BL1840B / BL1850B / BL1860B |
| Charger | DC18RC / DC18RD / DC18RE / DC18SD / DC18SE / DC18SF |

- Some of the battery cartridges and chargers listed above may not be available depending on your region of residence.

⚠ WARNING: Only use the battery cartridges and chargers listed above. Use of any other battery cartridges and chargers may cause injury and/or fire.

SAFETY WARNINGS

IMPORTANT SAFETY INSTRUCTIONS

When using an electrical appliance, basic precautions should always be followed, including the following:

READ ALL INSTRUCTIONS BEFORE USING THIS APPLIANCE. WARNING - To reduce the risk of fire, electric shock, or injury:

1. Do not leave appliance when battery fitted. Remove battery from appliance when not in use and before servicing.
2. Do not expose to rain. Store indoors.
3. Do not allow to be used as a toy. Close attention is necessary when used by or near children.
4. Use only as described in this manual. Use only manufacturer's recommended attachments.
5. Do not use with damaged battery. If appliance is not working as it should, has been dropped, damaged, left outdoors, or dropped into water, return it to a service center.
6. Do not put any object into openings. Do not use with any opening blocked; keep free of dust, lint, hair, and anything that may reduce air flow.
7. Keep hair, loose clothing, fingers, and all parts of body away from openings and moving parts.
8. Use extra care when cleaning on stairs.
9. Use only the charger supplied by the manufacturer to recharge.
10. Do not use to pick up flammable or combustible liquids, such as gasoline, or use in areas where they may be present.
11. Do not pick up anything that is burning or smoking, such as cigarettes, matches, or hot ashes.

12. Do not use without dust bag in place when collecting dust.

SAVE THESE INSTRUCTIONS.

This appliance is intended for both household use and commercial use.

Cordless Blower Safety Instructions

Preparation

1. Always wear substantial footwear and long trousers while operating the machine.
2. Do not wear loose clothing or jewellery that can be drawn into the air inlet. Keep long hair away from the air inlets.
3. Always use protective goggles, a cap and mask when using the machine. Ordinary eye or sun glasses are NOT safety glasses.
4. To prevent dust irritation the wearing of a face mask is recommended.
5. While operating the machine, always wear non-slip and protective footwear. Non-skid, closed-toed safety boots and shoes will reduce the risk of injury.

Operation

1. Never operate the machine while people, especially children, or pets are nearby.
2. Switch off the machine and remove the battery cartridge and make sure that all moving parts have come to a complete stop
 - whenever you leave the machine.
 - before clearing blockages.
 - before checking, cleaning or working on the machine.
 - if the machine starts to vibrate abnormally.
 - whenever you convert the machine from blower to vacuum, and vice versa.
3. Operate the machine only in daylight or in good artificial light.
4. Do not overreach and keep proper balance and footing at all times.
5. Never blow debris in the direction of bystanders.
6. Operate the machine in a recommended position and on a firm surface.
7. Do not operate the machine at high places.
8. Never point the nozzle at anyone in the vicinity when using the machine.
9. Never block suction inlet and/or blower outlet.
 - Be careful not to block suction inlet or blower outlet with dust or dirt when operating in dusty area.
 - Do not use nozzles other than the nozzles provided by Makita.
 - Do not use the blower to inflate balls, rubber boat or the similar.
10. Do not operate the machine near open window, etc.

11. Operating the machine only at reasonable hours is recommended - not early in the morning or late at night when people might be disturbed.
12. Using rakes and brooms to loosen debris before blowing is recommended.
13. If the machine strikes any foreign objects or should start making any unusual noise or vibration, immediately switch off the machine to stop it. Remove the battery cartridge from the machine and inspect the machine for damage before restarting and operating the machine. If the machine is damaged, ask Makita Authorized Service Centers for repair.
14. Do not insert fingers or other objects into suction inlet or blower outlet.
15. Prevent unintentional starting. Ensure the switch is in the off-position before inserting battery cartridge, picking up or carrying the machine. Carrying the machine with your finger on the switch or energizing the machine that has the switch on invites accidents.
16. Never blow or vacuum dangerous materials, such as nails, fragments of glass, or blades.
17. Do not operate the machine near flammable materials.
18. Avoid operating the machine for a long time in low temperature environment.
19. Always use the dust bag when collecting dust, chips and the like.
20. Do not collect still smoldering cigarette ashes, freshly cut metals shavings, screws, nails and the like.

Maintenance and storage

1. Keep all nuts, bolts and screws tight to be sure the machine is in safe working condition.
2. If the parts are worn or damaged, replace them with parts provided by Makita.
3. Store the machine in a dry place out of the reach of children.
4. When you stop the machine for inspection, servicing, storage, or changing accessory, switch off the machine and make sure that all moving parts come to a complete stop, and remove the battery cartridge. Cool down the machine before making any work on the machine. Maintain the machine with care and keep it clean.
5. Always cool down the machine before storing.
6. When you lift the machine, be sure to bend your knees and be careful not to hurt your back.

Battery tool use and care

1. Prevent unintentional starting. Ensure the switch is in the off-position before connecting to battery pack, picking up or carrying the machine. Carrying the machine with your finger on the switch or energizing machine that have the switch on invites accidents.
2. Disconnect the battery pack from the machine before making any adjustments, changing accessories, or storing machine. Such preventive safety measures reduce the risk of starting the machine accidentally.

3. **Recharge only with the charger specified by the manufacturer.** A charger that is suitable for one type of battery pack may create a risk of fire when used with another battery pack.
4. **Use machines only with specifically designed battery packs.** Use of any other battery packs may create a risk of injury and fire.
5. **When battery pack is not in use, keep it away from other metal objects, like paper clips, coins, keys, nails, screws or other small metal objects, that can make a connection from one terminal to another.** Shorting the battery terminals together may cause burns or a fire.
6. **Under abusive conditions, liquid may be ejected from the battery; avoid contact. If contact accidentally occurs, flush with water. If liquid contacts eyes, seek medical help.** Liquid ejected from the battery may cause irritation or burns.
7. **Do not use a battery pack or machine that is damaged or modified. Damaged or modified batteries may exhibit unpredictable behaviour resulting in fire, explosion or risk of injury.**
8. **Do not expose a battery pack or machine to fire or excessive temperature. Exposure to fire or temperature above 130°C (265°F) may cause explosion.**
9. **Follow all charging instructions and do not charge the battery pack or machine outside of the temperature range specified in the instructions.** Charging improperly or at temperatures outside of the specified range may damage the battery and increase the risk of fire.
10. **Have servicing performed by a qualified repair person using only identical replacement parts.** This will ensure that the safety of the product is maintained.
11. **Do not modify or attempt to repair the machine or the battery pack except as indicated in the instructions for use and care.**

Electrical and battery safety

1. **Do not dispose of the battery(ies) in a fire.** The cell may explode. Check with local codes for possible special disposal instructions.
2. **Do not open or mutilate the battery(ies).** Released electrolyte is corrosive and may cause damage to the eyes or skin. It may be toxic if swallowed.
3. **Do not charge battery in rain, or in wet locations.**
4. **Do not charge the battery outdoors.**
5. **Do not handle charger, including charger plug, and charger terminals with wet hands.**

Service

1. **Have your power tool serviced by a qualified repair person using only identical replacement parts.** This will ensure that the safety of the power tool is maintained.
2. **Never service damaged battery packs.** Service of battery packs should only be performed by the manufacturer or authorized service providers.

SAVE THESE INSTRUCTIONS.

⚠WARNING: DO NOT let comfort or familiarity with product (gained from repeated use) replace strict adherence to safety rules for the subject product.

MISUSE or failure to follow the safety rules stated in this instruction manual may cause serious personal injury.

⚠WARNING: Use of this product can create dust containing chemicals which may cause respiratory or other illnesses. Some examples of these chemicals are compounds found in pesticides, insecticides, fertilizers and herbicides.

Your risk from these exposures varies, depending on how often you do this type of work. To reduce your exposure to these chemicals: work in a well ventilated area, and work with approved safety equipment, such as those dust masks that are specially designed to filter out microscopic particles.

Symbols

The followings show the symbols used for tool.

| | |
|-------------|----------------|
| V | volts |
| — — — | direct current |

Important safety instructions for battery cartridge

1. **Before using battery cartridge, read all instructions and cautionary markings on (1) battery charger, (2) battery, and (3) product using battery.**
2. **Do not disassemble battery cartridge.**
3. **If operating time has become excessively shorter, stop operating immediately. It may result in a risk of overheating, possible burns and even an explosion.**
4. **If electrolyte gets into your eyes, rinse them out with clear water and seek medical attention right away. It may result in loss of your eyesight.**
5. **Do not short the battery cartridge:**
 - (1) **Do not touch the terminals with any conductive material.**
 - (2) **Avoid storing battery cartridge in a container with other metal objects such as nails, coins, etc.**
 - (3) **Do not expose battery cartridge to water or rain.**

A battery short can cause a large current flow, overheating, possible burns and even a breakdown.
6. **Do not store the tool and battery cartridge in locations where the temperature may reach or exceed 50 °C (122 °F).**
7. **Do not incinerate the battery cartridge even if it is severely damaged or is completely worn out. The battery cartridge can explode in a fire.**

8. **Be careful not to drop or strike battery.**
9. **Do not use a damaged battery.**
10. **The contained lithium-ion batteries are subject to the Dangerous Goods Legislation requirements.**

For commercial transports e.g. by third parties, forwarding agents, special requirement on packaging and labeling must be observed.

For preparation of the item being shipped, consulting an expert for hazardous material is required. Please also observe possibly more detailed national regulations.

Tape or mask off open contacts and pack up the battery in such a manner that it cannot move around in the packaging.

11. **When disposing the battery cartridge, remove it from the tool and dispose of it in a safe place. Follow your local regulations relating to disposal of battery.**
12. **Use the batteries only with the products specified by Makita.** Installing the batteries to non-compliant products may result in a fire, excessive heat, explosion, or leak of electrolyte.
13. **If the tool is not used for a long period of time, the battery must be removed from the tool.**

SAVE THESE INSTRUCTIONS.

⚠ CAUTION: Only use genuine Makita batteries. Use of non-genuine Makita batteries, or batteries that have been altered, may result in the battery bursting causing fires, personal injury and damage. It will also void the Makita warranty for the Makita tool and charger.

Tips for maintaining maximum battery life

1. **Charge the battery cartridge before completely discharged. Always stop tool operation and charge the battery cartridge when you notice less tool power.**
2. **Never recharge a fully charged battery cartridge. Overcharging shortens the battery service life.**
3. **Charge the battery cartridge with room temperature at 10 °C - 40 °C (50 °F - 104 °F). Let a hot battery cartridge cool down before charging it.**
4. **Charge the battery cartridge if you do not use it for a long period (more than six months).**

ASSEMBLY

⚠ CAUTION: Always be sure that the machine is switched off and the battery cartridge is removed before carrying out any work on the machine.

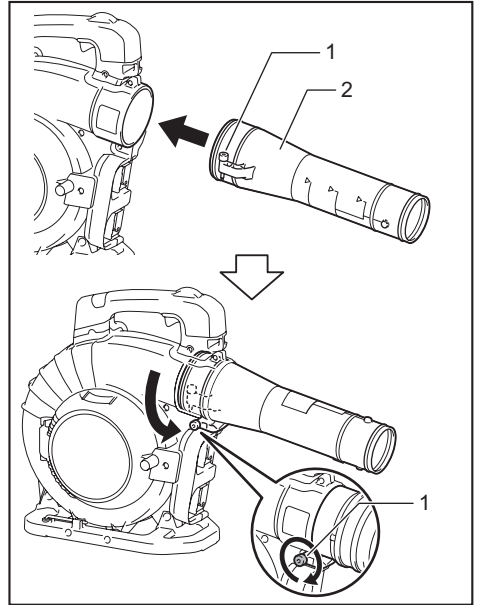
NOTICE: Before operating the machine, be sure to completely assemble the machine. Otherwise, the machine does not work.

Assembly for blowing

Installing or removing blower pipe and nozzle

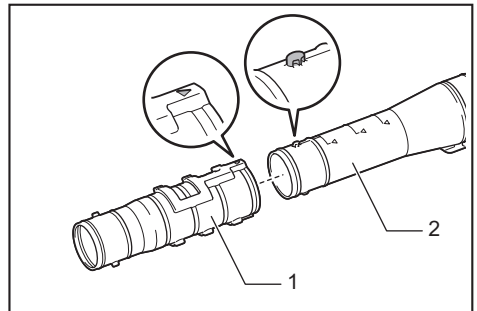
1. Attach the blower pipe to the main unit.

Insert the blower pipe into the main unit with the bolt facing left as shown in the figure. Turn the blower pipe as shown in the figure so that the bolt is aligned with the hole on the main unit, and then tighten the bolt firmly using the hex wrench.



► 1. Bolt 2. Blower pipe

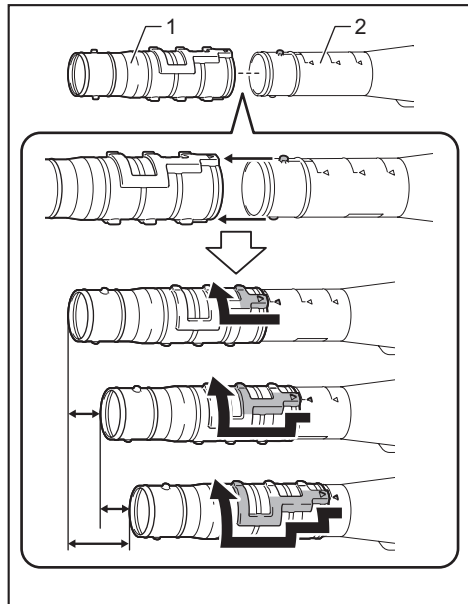
2. Align the protrusion on the blower pipe with the groove on the end nozzle, then attach the end nozzle to the blower pipe, and then turn the end nozzle to lock it into place.



► 1. End nozzle 2. Blower pipe

To remove the blower pipe and end nozzle, perform the installation procedure in reverse.

NOTE: The length of the nozzle can be changed by moving the nozzle as shown in the figure.

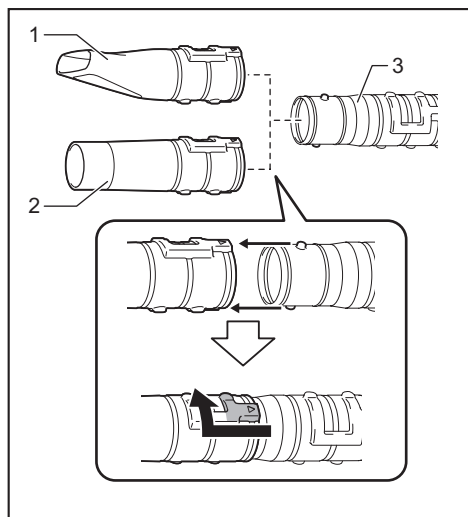


► 1. End nozzle 2. Blower pipe

Installing or removing flat nozzle or extension nozzle

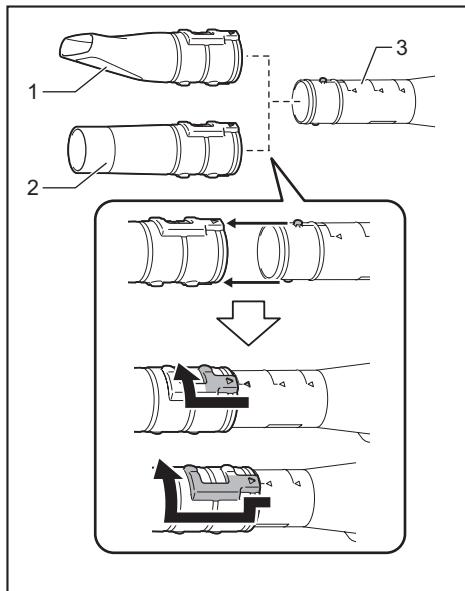
Optional accessory

Attach the flat nozzle or extension nozzle to the end nozzle, and then turn it to lock it into place.



► 1. Flat nozzle 2. Extension nozzle 3. End nozzle

You can also attach the flat nozzle or extension nozzle to the blower pipe.



► 1. Flat nozzle 2. Extension nozzle 3. Blower pipe

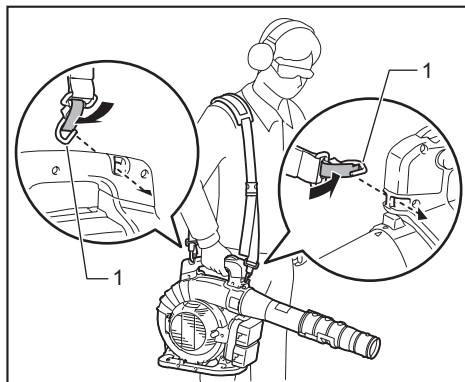
To remove the flat nozzle or extension nozzle, perform the installation procedure in reverse.

Attaching shoulder strap

CAUTION: Be sure to attach the hooks of the shoulder strap to the machine securely. If the hooks are attached incompletely, they may come off and cause an injury.

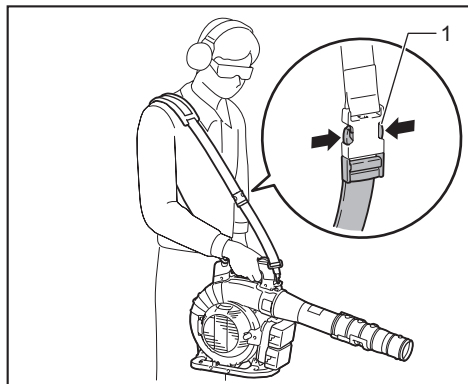
CAUTION: Be sure to use the shoulder strap dedicated to this machine. Using other shoulder strap may cause an injury.

Attach the hooks of the shoulder strap to the machine as shown in the figure.



► 1. Hook

The shoulder strap features a means of quick release. Simply squeeze the sides of the buckle to release the machine from the shoulder strap.



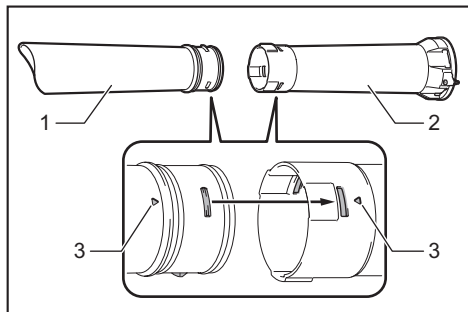
► 1. Buckle

Assembly for vacuuming

Installing or removing suction pipe and nozzle

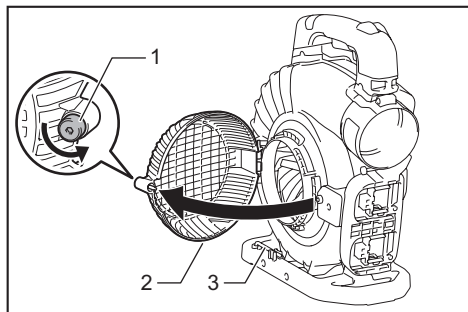
Optional accessory

1. Align the triangle mark on the suction nozzle with that on the suction pipe, and then insert the suction nozzle into the suction pipe until the latch on the nozzle snaps into place.




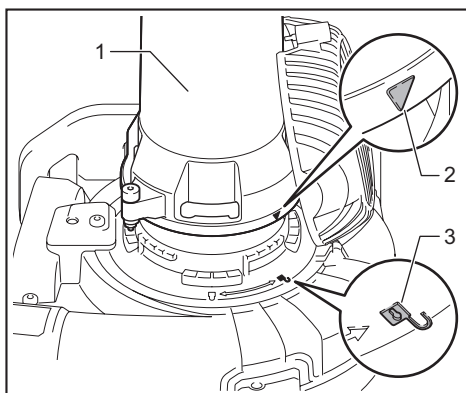
► 1. Suction nozzle 2. Suction pipe 3. Triangle mark

2. Loosen the bolt on the fan cover using the hex wrench, and open the fan cover.



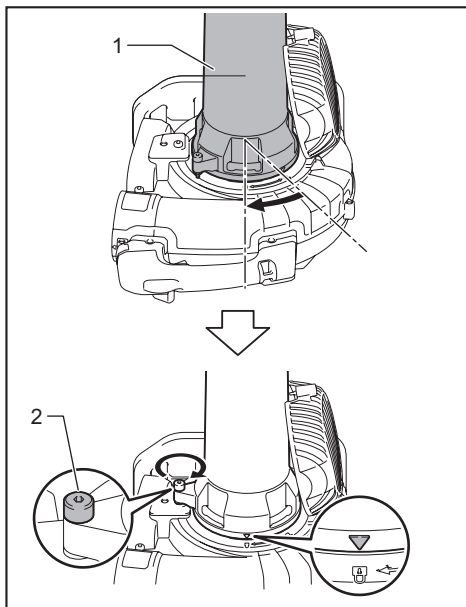
► 1. Bolt 2. Fan cover 3. Hex wrench

3. Align the triangle mark on the suction pipe with the  mark on the main unit, and then attach the suction pipe to the main unit.



► 1. Suction pipe 2. Triangle mark 3.  mark

4. Turn the suction pipe clockwise so that the bolt on the pipe is aligned with the hole on the main unit, and then fasten the bolt firmly using the hex wrench to secure the pipe to the main unit.



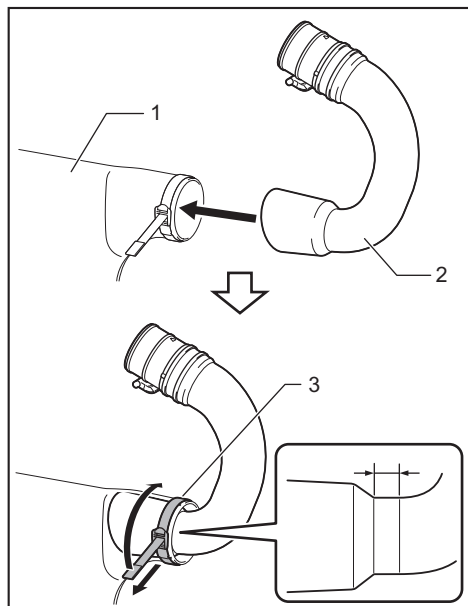
► 1. Suction pipe 2. Bolt

To remove the suction pipe and nozzle, perform the installation procedure in reverse.

Installing or removing elbow pipe and dust bag

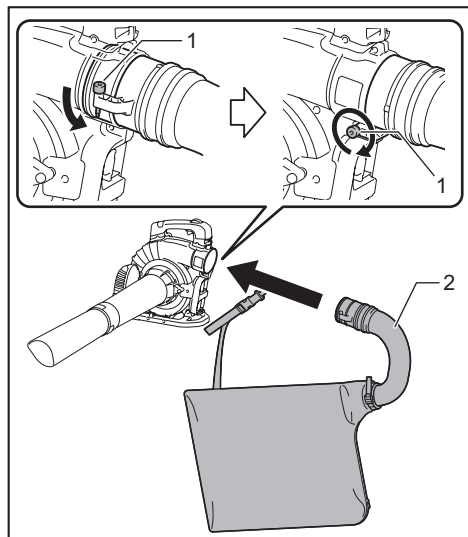
Optional accessory

1. Insert the elbow pipe into the dust bag and tighten the belt to fix the elbow pipe as shown in the figure.

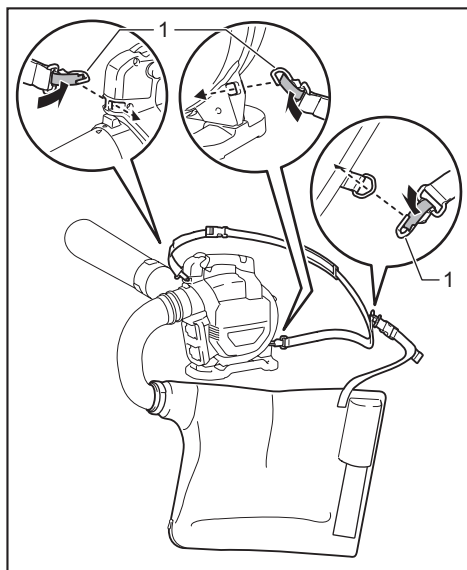


2. Attach the elbow pipe to the main unit.

Insert the elbow pipe into the main unit with the bolt facing left as shown in the figure. Turn the elbow pipe as shown in the figure so that the bolt is aligned with the hole on the main unit, and then tighten the bolt firmly using the hex wrench.



3. Attach the hook of the dust bag to the shoulder strap, and then attach the hooks of the shoulder strap to the main unit as shown in the figure.



- 1. Hook

To remove the dust bag and elbow pipe, perform the installation procedure in reverse.

FUNCTIONAL DESCRIPTION

CAUTION: Always be sure that the machine is switched off and the battery cartridge is removed before adjusting or checking function on the machine.

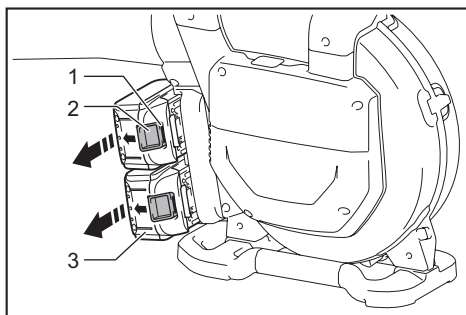
Installing or removing battery cartridge

CAUTION: Always switch off the machine before installing or removing of the battery cartridge.

CAUTION: Hold the machine and the battery cartridge firmly when installing or removing battery cartridge. Failure to hold the machine and the battery cartridge firmly may cause them to slip off your hands and result in damage to the machine and battery cartridge and a personal injury.

CAUTION: Always install the battery cartridge fully until the red indicator cannot be seen. If not, it may accidentally fall out of the machine, causing injury to you or someone around you.

CAUTION: Do not install the battery cartridge forcibly. If the cartridge does not slide in easily, it is not being inserted correctly.



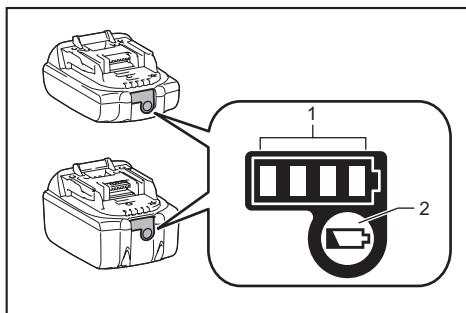
► 1. Red indicator 2. Button 3. Battery cartridge

To remove the battery cartridge, slide it from the machine while sliding the button on the front of the cartridge.

To install the battery cartridge, align the tongue on the battery cartridge with the groove in the housing and slip it into place. Insert it all the way until it locks in place with a little click. If you can see the red indicator on the upper side of the button, it is not locked completely.

Indicating the remaining battery capacity

Only for battery cartridges with the indicator



► 1. Indicator lamps 2. Check button

Press the check button on the battery cartridge to indicate the remaining battery capacity. The indicator lamps light up for a few seconds.

| Indicator lamps | | | Remaining capacity |
|-----------------|---------|----------|-------------------------------------|
| Lighted | Off | Blinking | |
| ■ ■ ■ ■ | □ □ □ □ | ▬ | 75% to 100% |
| ■ ■ ■ □ | □ □ □ □ | ▬ | 50% to 75% |
| ■ ■ □ □ | □ □ □ □ | ▬ | 25% to 50% |
| ■ □ □ □ | □ □ □ □ | ▬ | 0% to 25% |
| ▬ □ □ □ | □ □ □ □ | ▬ | Charge the battery. |
| ■ ■ □ □ | □ □ □ □ | ▬ | The battery may have malfunctioned. |
| □ □ ■ ■ | □ □ □ □ | ▬ | |

NOTE: Depending on the conditions of use and the ambient temperature, the indication may differ slightly from the actual capacity.

Machine/battery protection system

The machine is equipped with a machine/battery protection system. This system automatically cuts off power to the motor to extend machine and battery life. The machine will automatically stop during operation if the machine or battery is placed under one of the following conditions:

Overload protection

When the machine or battery is operated in a manner that causes it to draw an abnormally high current, the machine automatically stops and the lamp for mode 1 blinks in green. In this situation, turn the machine off and stop the application that caused the machine to become overloaded. Then turn the machine on to restart.

Overheat protection

When the machine or battery is overheated, the machine stops automatically and the lamp for mode 1 lights up in red. In this case, let the machine and battery cool down before turning the machine on again.

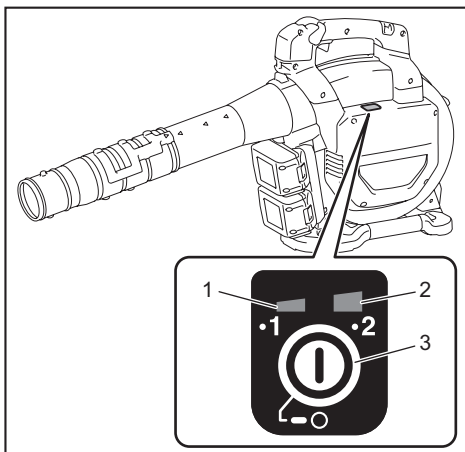
Overdischarge protection

When the battery capacity is not enough, the machine stops automatically and the lamp for mode 1 blinks in red. In this case, remove the battery from the machine and charge the battery.

Main power switch

⚠ WARNING: Always turn off the main power switch when not in use.

To turn on the machine, press the main power switch. The lamps for mode 1 and mode 2 light up in green. To turn off, keep pressing the main power switch until the lamps for mode 1 and mode 2 go off.



► (1) Lamp for mode 1 (2) Lamp for mode 2 (3) Main power switch

You can use the machine in the vacuuming mode. In the vacuuming mode, the suction volume becomes smaller than in the normal mode.

When you turn on the machine, the machine starts up in the normal mode. To use the machine in the vacuuming mode, press the main power switch when the machine is turned on. The lamp for mode 2 goes off and only the lamp for mode 1 lights up in green. When you press the main power switch again, the machine returns to the normal mode, and the lamps for mode 1 and mode 2 light up in green.

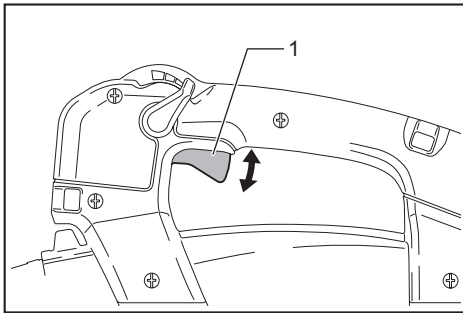
NOTE: The lamp for mode 1 blinks in green if the machine is operated under unoperable conditions. The lamp blinks in one of the following conditions.

- The switch trigger is pulled, when the bolt on the fan cover or suction pipe is not tightened firmly, or the bolt on the blower pipe or elbow pipe is not tightened firmly.
- The machine is turned on, when the control lever is not fully returned to the off position, or while you are pulling the switch trigger.

NOTE: This machine employs the auto power-off function. To avoid unintentional start up, the main power switch will automatically shut down when the switch trigger is not pulled for a certain period after the main power switch is turned on.

Switch action

⚠ WARNING: Before installing the battery cartridge into the machine, always check to see that the switch trigger actuates properly and returns to the "OFF" position when released.

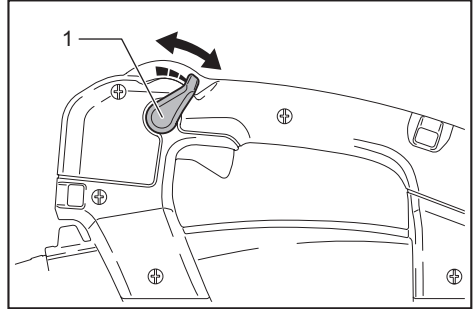


► 1. Switch trigger

To start the machine, simply pull the switch trigger. The speed is increased by increasing pressure on the switch trigger. Release the switch trigger to stop.

Cruise control function

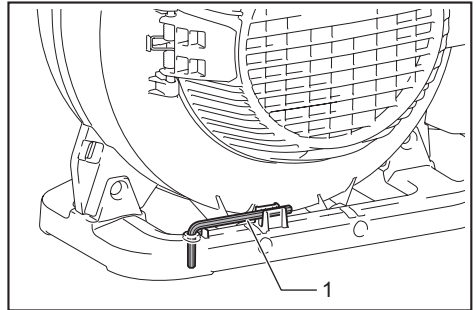
The cruise control function allows the operator to maintain a constant speed without pulling the trigger. To increase the speed, turn the control lever forward. To decrease the speed, turn the control lever backward.



► 1. Control lever

Hex wrench storage

When not in use, store the hex wrench as illustrated to keep it from being lost.



► 1. Hex wrench

Accidental re-start preventive function

If you turn on the machine while pulling the switch trigger or while the control lever is not in the off position, the machine does not start. To start the machine, first release the switch trigger and return the control lever fully, and then turn on the machine.

Electronic function

The machine is equipped with the electronic function for easy operation.

- Constant speed control
The speed control function provides the constant rotation speed regardless of load conditions.

OPERATION

CAUTION: Do not place the machine on the ground while it is switched on. Sand or dust may enter from suction inlet and cause a malfunction or personal injury.

Blower operation

CAUTION: When performing the blower operation, be sure to remove the suction pipe, suction nozzle, elbow pipe and dust bag from the machine, and attach the blower pipe and nozzles to the machine.

Hold the machine firmly with a hand and perform the blowing operation by moving it around slowly. When blowing around building, big stone or vehicle, direct the nozzle away from them. When performing an operation in a corner, start from the corner and then move to wide area.

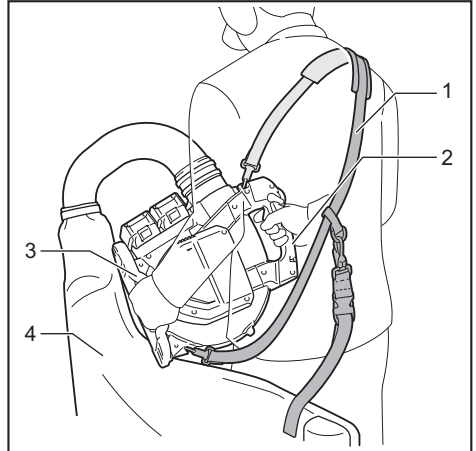


NOTICE: Do not allow wet materials, such as wet leaves, and foreign materials, such as large wood chips, metals, glass, pebbles, etc., to be sucked into the machine. Otherwise, a malfunction may occur.

NOTICE: Empty the dust bag before it becomes full. Otherwise, a malfunction may occur.

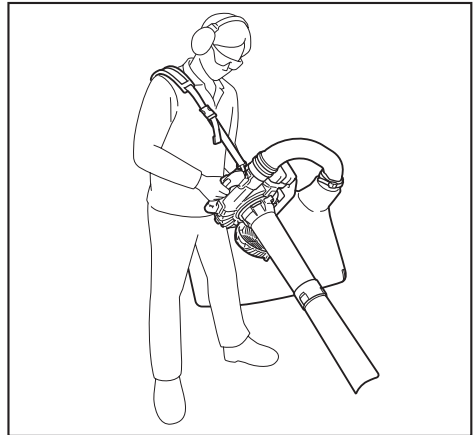
NOTICE: To prevent the suction of foreign materials, operating the machine in the vacuuming mode is recommended.

1. Put the shoulder strap and dust bag on the shoulder as shown in the figure. Adjust the length of the strap.



- 1. Shoulder strap 2. Carry handle 3. Assist handle
4. Dust bag

2. Hold the carry handle with your right hand and the assist handle with the other hand.



3. While operating the machine, adjust the switch trigger so that the suction force is appropriate for the work location and conditions.

Vacuuming operation

CAUTION: When performing the vacuuming operation, be sure to remove the blower pipe and nozzles from the machine, and attach the suction pipe, suction nozzle, elbow pipe, dust bag, and shoulder strap to the machine.

CAUTION: Check the dust bag frequently for wear or deterioration.

CAUTION: Be sure to fasten the fastener of the dust bag before operating the machine.

CAUTION: Always switch off the machine before opening or fastening the fastener of the dust bag.

MAINTENANCE

CAUTION: Always be sure that the machine is switched off and the battery cartridge is removed before attempting to perform inspection or maintenance.

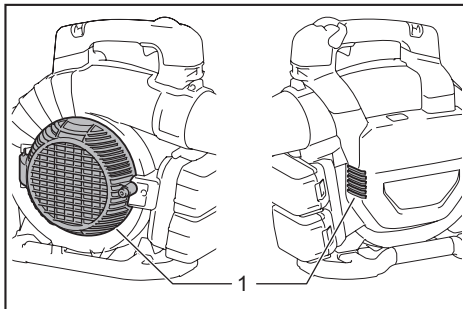
To maintain product SAFETY and RELIABILITY, repairs, any other maintenance or adjustment should be performed by Makita Authorized or Factory Service Centers, always using Makita replacement parts.

Cleaning the machine

Clean the machine by wiping off dust with a dry cloth or one dipped in soapy water and wrung out.

NOTICE: Never use gasoline, benzine, thinner, alcohol or the like. Discoloration, deformation or cracks may result.

Remove dust or dirt from the suction inlets.



► 1. Suction inlet

TROUBLESHOOTING

Before asking for repairs, conduct your own inspection first. If you find a problem that is not explained in the manual, do not attempt to dismantle the machine. Instead, ask Makita Authorized Service Centers, always using Makita replacement parts for repairs.

| State of abnormality | Probable cause (malfunction) | Remedy |
|---|---|--|
| Motor does not run. | Battery cartridge is not installed. | Install the battery cartridge. |
| | Battery problem (under voltage) | Recharge the battery. If recharging is not effective, replace battery. |
| | For blower The blower pipe is not attached. The fan cover is not closed. | Attach the blower pipe, and then tighten the bolt. Close the fan cover, and then tighten the bolt. |
| | For vacuum The elbow pipe or suction pipe is not attached. | Attach the elbow pipe or suction pipe, and then tighten the bolt. |
| | The drive system does not work correctly. | Ask your local authorized service center for repair. |
| Motor stops running after a little use. | Battery's charge level is low. | Recharge the battery. If recharging is not effective, replace battery. |
| | Overheating. | Stop using the machine to allow it to cool down. |
| The machine does not reach the maximum speed. | Battery is installed improperly. | Install the battery cartridge as described in this manual. |
| | Battery power is dropping. | Recharge the battery. If recharging is not effective, replace battery. |
| | The drive system does not work correctly. | Ask your local authorized service center for repair. |
| Abnormal vibration: ⇒ stop the machine immediately! | The drive system does not work correctly. | Ask your local authorized service center for repair. |
| Motor cannot stop: ⇒ Remove the battery immediately! | Electric or electronic malfunction. | Remove the battery and ask your local authorized service center for repair. |

OPTIONAL ACCESSORIES

⚠ CAUTION: These accessories or attachments are recommended for use with your Makita product specified in this manual. The use of any other accessories or attachments might present a risk of injury to persons. Only use accessory or attachment for its stated purpose.

If you need any assistance for more details regarding these accessories, ask your local Makita Service Center.

- Vacuum kit
- Extension nozzle
- Flat nozzle
- Shoulder strap
- Makita genuine battery and charger

NOTE: Some items in the list may be included in the product package as standard accessories. They may differ from country to country.

MAKITA LIMITED WARRANTY

Please refer to the annexed warranty sheet for the most current warranty terms applicable to this product. If annexed warranty sheet is not available, refer to the warranty details set forth at below website for your respective country.

United States of America: www.makitatools.com

Canada: www.makita.ca

Other countries: www.makita.com

SPÉCIFICATIONS

| Modèle : | | DUB363 |
|---------------------------|---------------------------------|---|
| Capacités | Volume d'air | 0 - 13,4 m ³ /min (0 - 473 cu.ft./min) |
| | Vitesse du flux d'air (moyenne) | 0 - 54 m/s (0 - 120 MPH) |
| | Vitesse du flux d'air (max.) | 0 - 65 m/s (0 - 145 MPH) |
| Dimensions (L x P x H) *1 | | 341 mm x 193 mm x 415 mm (13-3/8" x 7-5/8" x 16-3/8") |
| Tension nominale | | C.C. 36 V |
| Poids net | Souffleur *2 | 3,8 - 5,2 kg (8,4 - 11,5 lbs) |
| | Aspirateur *3 | 6,0 - 6,6 kg (13,2 - 14,6 lbs) |

*1. Sans les tubes, les buses, le sac à poussières, la bandoulière et les batteries.

*2. Avec le tube de souffleur, la buse d'extrémité et la buse plate, et sans le tube d'aspiration, la buse d'aspiration, le tube coudé, le sac à poussières et la bandoulière.

*3. Avec le tube d'aspiration, la buse d'aspiration, le tube coudé, le sac à poussières et la bandoulière, et sans le tube de souffleur, la buse d'extrémité et la buse plate.

- Étant donné l'évolution constante de notre programme de recherche et développement, les spécifications contenues dans ce manuel sont sujettes à modification sans préavis.
- Les spécifications peuvent varier suivant les pays.
- Le poids peut varier selon les accessoires, y compris la batterie. La plus légère et la plus lourde combinaisons, selon la procédure EPTA 01/2014, sont indiquées dans le tableau.

Batteries et chargeurs applicables

| | |
|----------|--|
| Batterie | BL1815N / BL1820B / BL1830 / BL1830B / BL1840B / BL1850B / BL1860B |
| Chargeur | DC18RC / DC18RD / DC18RE / DC18SD / DC18SE / DC18SF |

- Suivant la région où vous habitez, il se peut que certaines des batteries et certains des chargeurs énumérés ci-dessus ne soient pas disponibles.

⚠ MISE EN GARDE : Utilisez exclusivement les batteries et chargeurs énumérés ci-dessus. L'utilisation de toute autre batterie ou tout autre chargeur peut entraîner une blessure et/ou un incendie.

CONSIGNES DE SÉCURITÉ

IMPORTANTES CONSIGNES DE SÉCURITÉ

Lors de l'utilisation d'un appareil électrique, vous devez toujours prendre des précautions de base, dont les suivantes :

**LISEZ TOUTES LES
INSTRUCTIONS AVANT
D'UTILISER CET
APPAREIL.**

MISE EN GARDE : Pour réduire les risques d'in- cendie, de décharge élec- trique et de blessure :

1. Ne vous éloignez pas de l'appareil alors que la batterie y est insérée. Retirez la batterie de l'appareil lorsqu'il n'est pas utilisé et avant de le réparer.
2. Ne l'exposez pas à la pluie. Rangez-le à l'intérieur.
3. Ne laissez pas les enfants l'utiliser comme jouet. Une attention particulière est nécessaire lors de l'utilisation par les enfants ou près d'eux.
4. Utilisez-le uniquement de la façon décrite dans ce manuel. Utilisez uniquement les accessoires recommandés par le fabricant.
5. Ne l'utilisez pas avec une batterie endommagée. Si l'appareil ne fonctionne pas bien, s'il a été échappé, endommagé, laissé à l'extérieur ou échappé dans l'eau, retournez-le à un centre de service après-vente.

6. Ne mettez rien dans les ouvertures. Ne l'utilisez jamais si une des ouvertures est bouchée ; gardez ces dernières exemptes de poussières, charpies, cheveux ou tout objet pouvant réduire la circulation de l'air.
7. Gardez les cheveux, les vêtements amples, les doigts et toute autre partie du corps à l'écart des ouvertures et des pièces mobiles.
8. Soyez tout particulièrement prudent lorsque vous nettoyez sur les marches d'un escalier.
9. Utilisez uniquement le chargeur fourni par le fabricant pour recharger la batterie.
10. Ne l'utilisez pas pour aspirer des liquides inflammables ou combustibles tels que l'essence, ou dans des zones où de tels liquides peuvent être présents.
11. N'aspirez pas d'objets qui brûlent ou dégagent de la fumée, tels que des cigarettes, des allumettes ou des cendres encore chaudes.
12. Ne l'utilisez pas sans mettre en place le sac à poussières lorsque vous collectez des poussières.

CONSERVEZ CES INSTRUCTIONS.

Cet appareil est conçu à la fois pour l'usage domestique et pour l'usage commercial.

Consignes de sécurité pour souffleur sans fil (aspiro / souffleur (sans fil))

Préparatifs

1. Portez toujours des chaussures robustes et des pantalons longs lorsque vous utilisez la machine.
2. Ne portez ni vêtements amples ni bijoux susceptibles d'être entraînés dans l'entrée d'air. Gardez les cheveux longs à l'écart des entrées d'air.
3. Portez toujours des lunettes à coques de protection, une casquette et un masque lorsque vous utilisez la machine. Les lunettes ordinaires et les lunettes de soleil NE sont PAS des lunettes de sécurité.
4. Le port d'un masque facial est recommandé pour prévenir l'irritation causée par les poussières.
5. Pendant l'utilisation de la machine, portez toujours des chaussures de protection antidérapantes. Des bottes et chaussures de sécurité antidérapantes et fermées réduiront le risque de blessure.

Utilisation

1. N'utilisez jamais la machine lorsque d'autres personnes - et tout particulièrement des enfants - ou des animaux domestiques se trouvent à proximité.
2. Éteignez la machine, retirez la batterie et assurez-vous de l'arrêt complet de toutes les pièces mobiles
 - chaque fois que vous vous éloignez de la machine;

- avant de retirer les objets bloqués;
 - avant d'inspecter la machine, de la nettoyer ou de travailler dessus;
 - si la machine se met à vibrer de manière anormale;
 - chaque fois que vous convertissez la machine de souffleur en aspirateur, et vice-versa.
3. N'utilisez la machine qu'à la lumière du jour ou avec une bonne lumière artificielle.
 4. Ne tendez pas trop les bras et maintenez en tout temps une bonne prise au sol et un bon équilibre.
 5. Ne soufflez jamais les débris vers les personnes présentes.
 6. Utilisez la machine avec la posture recommandée et sur une surface ferme.
 7. N'utilisez pas la machine dans des emplacements élevés.
 8. Pendant l'utilisation de la machine, ne pointez jamais la buse vers une personne se trouvant à proximité.
 9. Ne bloquez jamais l'entrée d'aspiration et/ou la sortie de souffleur.
 - Prenez garde de bloquer l'entrée d'aspiration ou la sortie de souffleur avec des poussières ou saletés lors de l'utilisation dans une zone poussiéreuse.
 - N'utilisez pas d'autres buses que celles fournies par Makita.
 - N'utilisez pas le souffleur pour gonfler des ballons, des canots pneumatiques ou objets similaires.
 10. N'utilisez pas la machine près des fenêtres ouvertes, etc.
 11. Il est recommandé de n'utiliser la machine qu'à des heures raisonnables - pas tôt le matin ou tard le soir, lorsque les gens pourraient être dérangés.
 12. Il est recommandé d'utiliser des râteliers et des balais pour dégager les débris avant de souffler.
 13. Si la machine heurte un corps étranger ou commence à émettre des bruits ou vibrations inhabituels, éteignez immédiatement la machine pour l'arrêter. Retirez la batterie de la machine et inspectez cette dernière pour vérifier l'absence de dommages avant de la redémarrer et de l'utiliser. Si la machine est endommagée, demandez à votre centre de service après-vente Makita agréé de la réparer.
 14. N'insérez ni les doigts ni aucun objet dans l'entrée d'aspiration ou dans la sortie de souffleur.
 15. Prévenez le démarrage accidentel. Assurez-vous que l'interrupteur est en position d'arrêt avant d'insérer la batterie et avant de saisir ou de transporter la machine. Transporter la machine avec le doigt sur l'interrupteur ou la mettre sous tension alors que son interrupteur est en position de marche ouvre la porte aux accidents.
 16. Ne soufflez ou n'aspirez jamais des matériaux dangereux, tels que des clous, des fragments de verre ou des lames.

17. **N'utilisez pas la machine près de matériaux inflammables.**
18. **Évitez d'utiliser la machine pendant une période prolongée dans un environnement à basse température.**
19. **Utilisez toujours le sac à poussières lorsque vous collectez des poussières, des copeaux, etc.**
20. **Ne collectez pas les cendres de cigarettes encore fumantes, les copeaux de métaux fraîchement coupés, les vis, les clous, etc.**
6. **Dans des conditions d'utilisation inadéquates de la batterie, il peut y avoir fuite d'électrolyte; évitez tout contact. En cas de contact accidentel, rincez avec beaucoup d'eau. Si du liquide entre en contact avec les yeux, consultez un médecin.** Le liquide qui gicle de la batterie peut provoquer des irritations ou des brûlures.

Entretien et remisage

1. **Assurez-vous que tous les écrous, boulons et vis sont bien serrés pour garantir un fonctionnement sécuritaire de la machine.**
2. **Si des pièces sont usées ou endommagées, remplacez-les avec des pièces fournies par Makita.**
3. **Remisez la machine dans un endroit sec, hors de la portée des enfants.**
4. **Lorsque vous arrêtez la machine pour inspection, réparation, remisage ou changement d'accessoire, éteignez-la et assurez-vous que toutes les pièces mobiles s'arrêtent complètement, et retirez la batterie. Laissez refroidir la machine avant toute intervention sur celle-ci. Entretenez soigneusement la machine et gardez-la propre.**
5. **Laissez toujours refroidir la machine avant de la remiser.**
6. **Lorsque vous soulevez la machine, veillez à plier les genoux et prenez garde de vous blesser au dos.**
7. **N'utilisez pas une batterie ou une machine endommagée ou modifiée. Les batteries endommagées ou modifiées peuvent se comporter de manière imprévisible et entraîner un incendie, une explosion ou un risque de blessure.**
8. **N'exposez pas une batterie ou une machine au feu ou à une température excessive. L'exposition au feu ou à une température supérieure à 130 °C (265 °F) peut provoquer une explosion.**
9. **Suivez toutes les instructions de charge et ne chargez pas la batterie ou la machine à l'extérieur de la plage de température spécifiée dans les instructions.** Effectuer la charge de manière inadéquate ou à une température hors de la plage spécifiée peut endommager la batterie et faire augmenter le risque d'incendie.
10. **L'entretien doit être confié à un réparateur qualifié et n'utilisant que des pièces de rechange identiques aux pièces d'origine.** Cela assurera le maintien du produit dans un état sécuritaire.
11. **Ne modifiez pas et n'essayez pas de réparer la machine ou la batterie autrement que tel qu'indiqué dans les instructions d'utilisation et d'entretien.**

Utilisation et entretien de l'outil à batterie

1. **Prévenez le démarrage accidentel. Assurez-vous que l'interrupteur est en position d'arrêt avant de connecter la machine à la batterie, de la saisir ou de la transporter.** Transporter la machine avec le doigt sur l'interrupteur ou la mettre sous tension alors que son interrupteur est en position de marche ouvre la porte aux accidents.
2. **Retirez la batterie de la machine avant de procéder à des réglages, au remplacement d'accessoires ou au rangement de la machine.** De telles mesures de sécurité préventives réduisent le risque de démarrage accidentel de la machine.
3. **Ne la rechargez qu'avec le chargeur spécifié par le fabricant.** Un chargeur conçu pour un certain type de batterie risque de déclencher un incendie s'il est utilisé avec une autre batterie.
4. **N'utilisez les machines qu'avec leurs batteries spécifiques.** Les autres batteries risqueraient de vous blesser ou de provoquer un incendie.
5. **Lorsque la batterie n'est pas utilisée, tenez-la à distance des objets métalliques tels que trombones, pièces de monnaie, clés, clous, vis ou autres petits objets métalliques, conducteurs potentiels entre une borne et une autre.** Un court-circuit entre les bornes de la batterie peut provoquer des brûlures ou un incendie.

Consignes de sécurité concernant l'alimentation électrique et la batterie

1. **Ne jetez pas la/les batterie(s) au feu.** L'élément pourrait exploser. Vérifiez la réglementation de votre région pour savoir s'il existe des directives particulières sur l'élimination.
2. **N'ouvrez pas et n'endommagez pas la/les batterie(s).** L'électrolyte qui s'échappe est corrosif et peut provoquer des dommages aux yeux ou à la peau. Il peut être toxique s'il est ingéré.
3. **Ne chargez pas la batterie sous la pluie ou dans les emplacements humides.**
4. **Ne chargez pas la batterie à l'extérieur.**
5. **Ne manipulez pas le chargeur, y compris sa fiche et ses bornes, avec les mains mouillées.**

Réparation

1. **Faites réparer votre outil électrique par un réparateur qualifié qui utilise des pièces de rechange identiques aux pièces d'origine.** Le maintien de la sûreté de l'outil électrique sera ainsi assuré.
2. **N'essayez jamais de réparer les batteries endommagées.** La réparation des batteries ne doit être effectuée que par le fabricant ou par un fournisseur de service après-vente agréé.

CONSERVEZ CES INSTRUCTIONS.

⚠ MISE EN GARDE : NE vous laissez PAS tromper (au fil d'une utilisation répétée) par un sentiment d'aisance ou de familiarité avec le produit en négligeant les consignes de sécurité qui accompagnent le produit.

UNE UTILISATION INCORRECTE ou le non-respect des règles de sécurité énoncées dans le présent manuel d'instructions peut provoquer des blessures graves.

⚠ MISE EN GARDE : L'utilisation de ce produit peut générer des poussières contenant des substances chimiques, lesquelles peuvent causer des problèmes respiratoires ou autres maladies. Parmi ces substances chimiques figurent les composés que l'on retrouve dans les pesticides, insecticides, fertilisants et herbicides.

Les risques liés à l'exposition varient suivant la fréquence d'exécution du type de travail en question. Pour réduire votre exposition à ces substances chimiques : travaillez dans un emplacement bien aéré et avec des dispositifs de sécurité approuvés, tels que les masques antipoussières spécialement conçus pour filtrer les particules microscopiques.

Symboles

Les symboles utilisés pour l'outil sont indiqués ci-dessous.

| | |
|-------|-----------------|
| V | volts |
| — — — | courant continu |

Consignes de sécurité importantes pour la batterie

1. Avant d'utiliser la batterie, lisez toutes les instructions et les mises en garde apposées sur (1) le chargeur de batterie, (2) la batterie et (3) le produit utilisant la batterie.
2. Ne démontez pas la batterie.
3. Cessez immédiatement l'utilisation si le temps de fonctionnement devient excessivement court. Il y a risque de surchauffe, de brûlures, voire d'explosion.
4. Si l'électrolyte pénètre dans vos yeux, rincez-les à l'eau claire et consultez immédiatement un médecin. Il y a risque de perte de la vue.
5. Ne court-circuitez pas la batterie :
 - (1) Ne touchez les bornes avec aucun matériau conducteur.
 - (2) Évitez de ranger la batterie dans un conteneur avec d'autres objets métalliques tels que clous, pièces de monnaie, etc.
 - (3) Évitez d'exposer la batterie à l'eau ou à la pluie.

Un court-circuit de la batterie pourrait provoquer un fort courant, une surchauffe, parfois des brûlures et même une panne.

6. Ne rangez pas l'outil ou la batterie dans des emplacements où la température peut atteindre ou dépasser 50 °C (122 °F).
7. Ne jetez pas la batterie au feu même si elle est sérieusement endommagée ou complètement épuisée. La batterie peut exploser au contact du feu.
8. Prenez garde d'échapper ou de heurter la batterie.
9. N'utilisez pas une batterie si elle est endommagée.
10. Les batteries lithium-ion fournies sont soumises aux exigences de la législation sur les marchandises dangereuses. Des exigences particulières sur l'emballage et l'étiquetage doivent être respectées lors du transport commercial par des tiers, des transitaires, etc. Pour préparer la marchandise à expédier, consultez un expert en matériaux dangereux si nécessaire. Respectez aussi les éventuelles réglementations nationales plus détaillées. Recouvrez de ruban isolant les contacts exposés, et emballez la batterie de sorte qu'elle ne puisse pas se déplacer à l'intérieur de l'emballage.
11. Lors de l'élimination de la batterie, retirez-la de l'outil et éliminez-la dans un endroit sûr. Respectez la réglementation locale concernant l'élimination de la batterie.
12. N'utilisez les batteries qu'avec les produits spécifiés par Makita. Installer les batteries sur des produits non conformes peut entraîner un incendie, une chaleur excessive, une explosion ou une fuite d'électrolyte.
13. Si l'outil reste inutilisé pour une période prolongée, la batterie doit en être retirée.

CONSERVEZ CES INSTRUCTIONS.

⚠ ATTENTION : Utilisez exclusivement les batteries fabriquées par Makita. Les batteries autres que celles fabriquées par Makita ou les batteries modifiées peuvent exploser et causer un incendie, une blessure ou des dommages. Cela annule aussi la garantie Makita de l'outil et du chargeur Makita.

Conseils pour maintenir la durée de service maximale de la batterie

1. Rechargez la batterie avant qu'elle ne soit complètement déchargée. Arrêtez toujours l'outil et rechargez la batterie quand vous remarquez que la puissance de l'outil diminue.
2. Ne rechargez jamais une batterie complètement chargée. La surcharge réduit la durée de service de la batterie.
3. Chargez la batterie à une température ambiante comprise entre 10 °C et 40 °C (50 °F et 104 °F). Si la batterie est chaude, laissez-la refroidir avant de la charger.
4. Chargez la batterie si elle est restée inutilisée pendant une période prolongée (plus de six mois).

ASSEMBLAGE

⚠ ATTENTION : Assurez-vous toujours que la machine est éteinte et que sa batterie est retirée avant d'effectuer tout travail sur la machine.

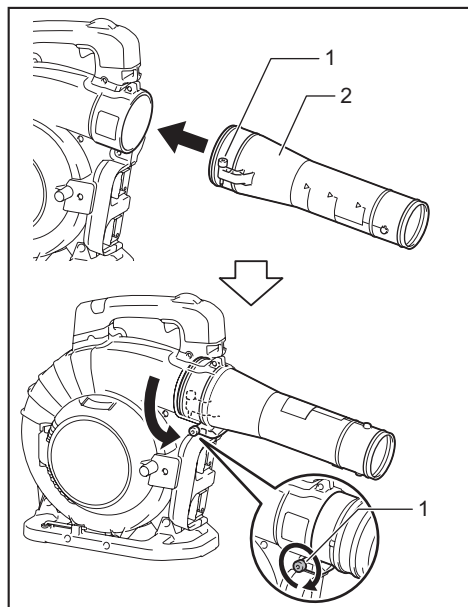
AVIS : Avant d'utiliser la machine, veillez à l'assembler complètement. Autrement, la machine ne fonctionnera pas.

Assemblage pour le soufflage

Pose ou retrait du tube de souffleur et de la buse

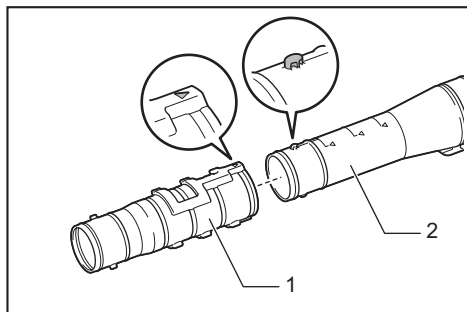
1. Fixez le tube de souffleur à l'unité principale.

Insérez le tube de souffleur dans l'unité principale en orientant le boulon vers la gauche, tel qu'indiqué sur la figure. Tournez le tube de souffleur tel qu'indiqué sur la figure, de sorte que le boulon soit aligné sur l'orifice de l'unité principale, puis serrez fermement le boulon à l'aide de la clé hexagonale.



► 1. Boulon 2. Tube de souffleur

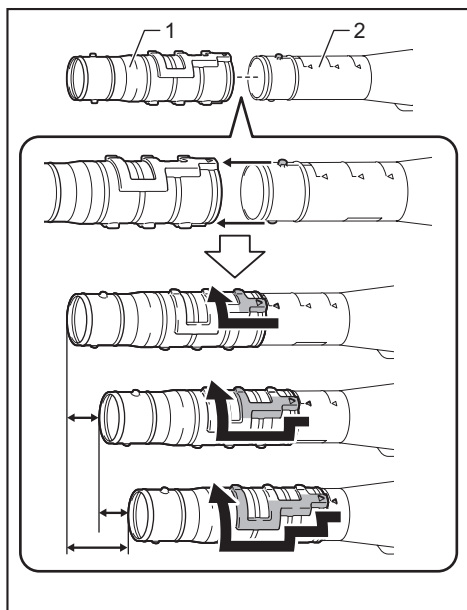
2. Alignez la partie saillante du tube de souffleur sur la rainure de la buse d'extrémité, fixez cette dernière au tube de souffleur, puis tournez la buse d'extrémité pour la verrouiller en place.



► 1. Buse d'extrémité 2. Tube de souffleur

Pour retirer le tube de souffleur et la buse d'extrémité, suivez la procédure d'installation en sens inverse.

NOTE : La longueur de la buse peut être modifiée en déplaçant la buse tel qu'illustré sur la figure.

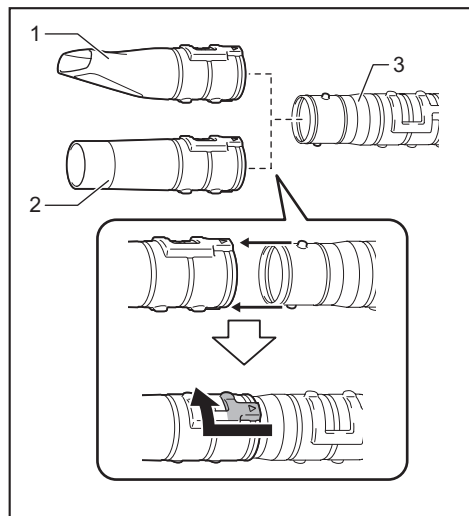


► 1. Buse d'extrémité 2. Tube de souffleur

Pose ou retrait de la buse plate ou de la buse de rallonge

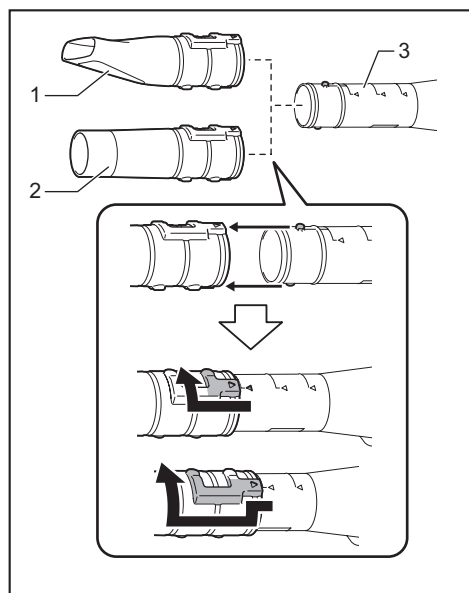
Accessoire en option

Fixez la buse plate ou la buse de rallonge à la buse d'extrémité, puis tournez-la pour la verrouiller en place.



- 1. Embout plat 2. Rallonge d'embout 3. Tuyau adaptateur

Vous pouvez également fixer la buse plate ou la buse de rallonge au tube de souffleur.



- 1. Embout plat 2. Rallonge d'embout 3. Tube de souffleur

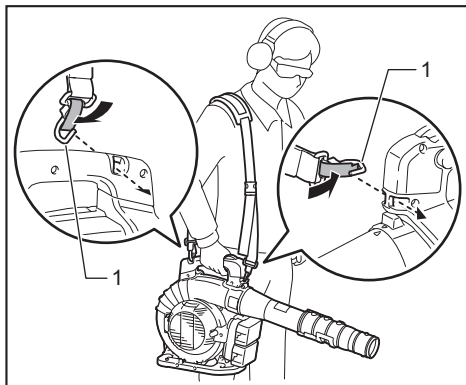
Pour retirer la buse plate ou la buse de rallonge, suivez la procédure d'installation en sens inverse.

Fixation de la bandoulière

⚠ ATTENTION : Veillez à fixer fermement les crochets de la bandoulière à la machine. S'ils sont mal fixés, les crochets risquent de se détacher et d'entraîner une blessure.

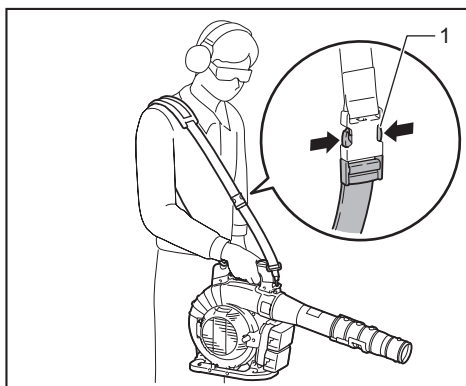
⚠ ATTENTION : Assurez-vous d'utiliser la bandoulière dédiée de cet outil. Utiliser une autre bandoulière peut entraîner une blessure.

Fixez les crochets de la bandoulière à la machine tel qu'illustré sur la figure.



- 1. Crochet

La bandoulière est dotée d'un dispositif de retrait rapide. Pressez simplement les côtés de la boucle pour libérer la machine de la bandoulière.



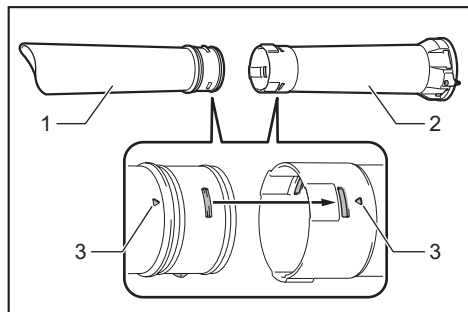
- 1. Boucle

Assemblage pour aspiration

Pose ou retrait du tube d'aspiration et de la buse

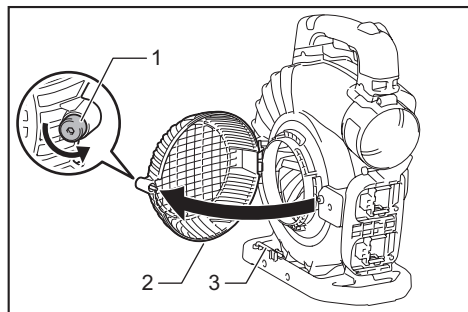
Accessoire en option

1. Alignez la marque triangulaire de la buse d'aspiration sur celle du tube d'aspiration, puis insérez la buse d'aspiration dans le tube d'aspiration jusqu'à ce que le verrou de la buse se mette en place avec un bruit sec.




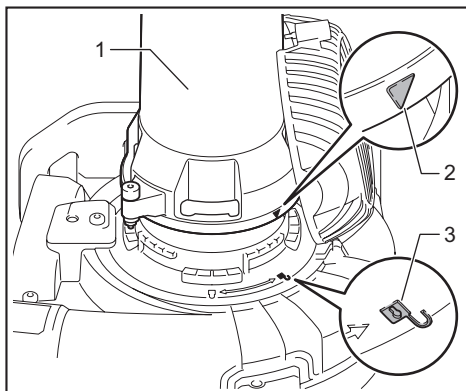
► 1. Buse d'aspiration 2. Tube d'aspiration 3. Marque triangulaire


2. Desserrez le boulon du couvercle de ventilateur à l'aide de la clé hexagonale, et ouvrez le couvercle de ventilateur.



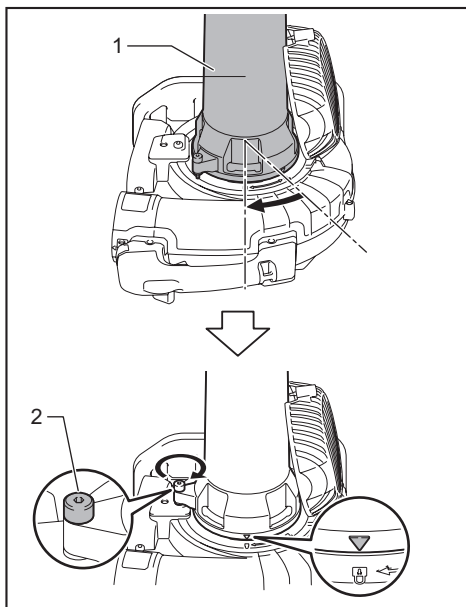
► 1. Boulon 2. Couvercle de ventilateur 3. Clé hexagonale

3. Alignez la marque triangulaire du tube d'aspiration sur la marque  de l'unité principale, puis fixez le tube d'aspiration à l'unité principale.



► 1. Tube d'aspiration 2. Marque triangulaire
3.  marque

4. Tournez le tube d'aspiration dans le sens des aiguilles d'une montre de sorte que le boulon du tube soit aligné sur l'orifice de l'unité principale, puis serrez fermement le boulon à l'aide de la clé hexagonale pour fixer le tube à l'unité principale.



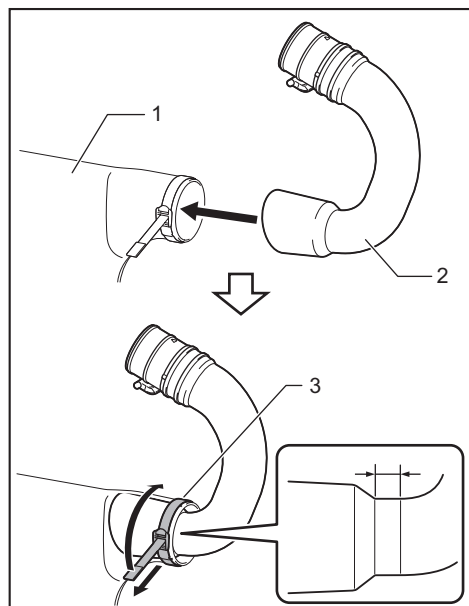
► 1. Tube d'aspiration 2. Boulon

Pour retirer le tube d'aspiration et la buse, suivez la procédure d'installation en sens inverse.

Pose ou retrait du tube coudé et du sac à poussières

Accessoire en option

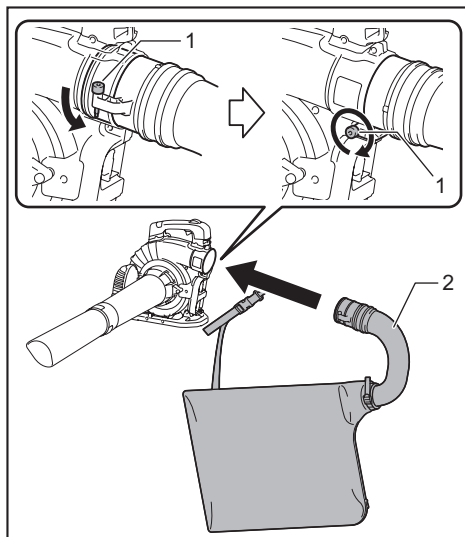
1. Insérez le tube coudé dans le sac à poussières, puis serrez la sangle pour fixer le tube coudé tel qu'indiqué sur la figure.



► 1. Sac à poussières 2. Tube coudé 3. Sangle

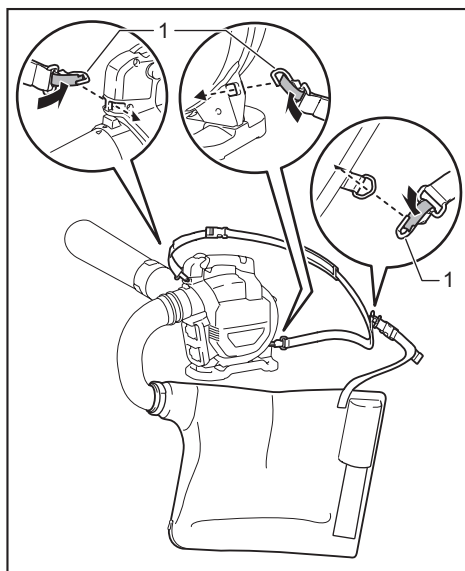
2. Fixez le tube coudé à l'unité principale.

Insérez le tube coudé dans l'unité principale en orientant le boulon vers la gauche, tel qu'indiqué sur la figure. Tournez le tube coudé tel qu'indiqué sur la figure de sorte que le boulon soit aligné sur l'orifice de l'unité principale, puis serrez fermement le boulon à l'aide de la clé hexagonale.



► 1. Boulon 2. Tube coudé

3. Fixez le crochet du sac à poussières à la bandoulière, puis fixez les crochets de la bandoulière à l'unité principale tel qu'indiqué sur la figure.



► 1. Crochet

Pour retirer le sac à poussières et le tube coudé, suivez la procédure d'installation en sens inverse.

DESCRIPTION DU FONCTIONNEMENT

⚠ ATTENTION : Assurez-vous toujours que la machine est éteinte et que sa batterie est retirée avant de l'ajuster ou de vérifier son fonctionnement.

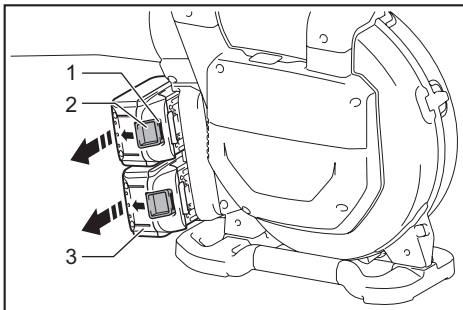
Installation ou retrait de la batterie

⚠ ATTENTION : Éteignez toujours la machine avant d'installer ou de retirer la batterie.

⚠ ATTENTION : Tenez fermement la machine et la batterie lors de la pose ou du retrait de la batterie. Sinon, la machine et la batterie pourraient vous glisser des mains, ce qui risque d'endommager la machine et la batterie, et de provoquer des blessures.

⚠ ATTENTION : Installez toujours la batterie à fond, jusqu'à ce que le voyant rouge ne soit plus visible. Autrement elle risque d'endommager la machine et d'entraîner des blessures.

⚠ ATTENTION : Ne forcez pas sur la batterie pour l'installer. Si la batterie ne glisse pas facilement, c'est qu'elle n'est pas insérée correctement.



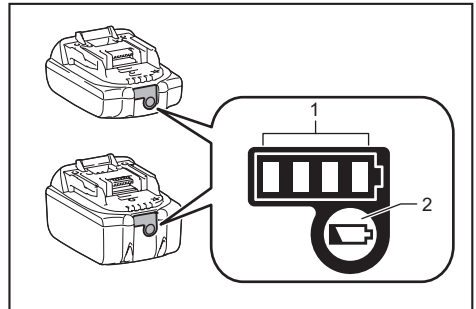
► 1. Voyant rouge 2. Bouton 3. Batterie

Pour retirer la batterie, faites-la glisser de la machine tout en faisant glisser le bouton qui se trouve à l'avant de la batterie.

Pour installer la batterie, alignez sa languette sur la rainure pratiquée dans le boîtier, et glissez la batterie en place. Insérez-la à fond jusqu'à ce que vous entendiez un léger dé clic. Si vous pouvez voir le voyant rouge sur le dessus du bouton, la batterie n'est pas complètement verrouillée.

Affichage de la charge restante de la batterie

Uniquement pour les batteries avec voyant



► 1. Témoins indicateurs 2. Bouton de vérification

Appuyez sur le bouton de vérification de la batterie pour afficher la charge restante de la batterie. Les témoins indicateurs s'allument pendant quelques secondes.

| Témoins indicateurs | | | Charge restante |
|---------------------|---------|------------|---|
| Allumé | Éteint | Clignotant | |
| ■ ■ ■ ■ | □ □ □ □ | □ □ □ □ | 75 % à 100 % |
| ■ ■ ■ □ | □ □ □ □ | □ □ □ □ | 50 % à 75 % |
| ■ ■ □ □ | □ □ □ □ | □ □ □ □ | 25 % à 50 % |
| ■ □ □ □ | □ □ □ □ | □ □ □ □ | 0 % à 25 % |
| ■ □ □ □ | □ □ □ □ | □ □ □ □ | Chargez la batterie. |
| ■ □ □ □ | □ □ □ □ | □ □ □ □ | La batterie a peut-être mal fonctionné. |
| □ □ □ □ | □ □ □ □ | ■ ■ ■ ■ | |

NOTE : Suivant les conditions d'utilisation et la température ambiante, il se peut que l'indication soit légèrement différente de la charge réelle.

Dispositif de protection de la machine et de la batterie

La machine est équipée d'un dispositif de protection de la machine et de la batterie. Ce dispositif coupe automatiquement l'alimentation du moteur pour prolonger la durée de service de la machine et de la batterie. La machine s'arrêtera automatiquement pendant l'utilisation si la machine ou la batterie se trouve dans l'une ou l'autre des situations suivantes :

Protection contre la surcharge

Lorsque la machine ou la batterie est utilisée d'une façon qui lui fait consommer un courant anormalement élevé, la machine s'arrête automatiquement et le témoin du mode 1 clignote en vert. Dans ce cas, éteignez la machine et arrêtez l'application qui entraîne une surcharge de la machine. Allumez ensuite la machine pour redémarrer.

Protection contre la surchauffe

Lorsque la machine ou la batterie surchauffe, la machine s'arrête automatiquement et le témoin du mode 1 s'allume en rouge. Le cas échéant, laissez refroidir la machine et la batterie avant de rallumer la machine.

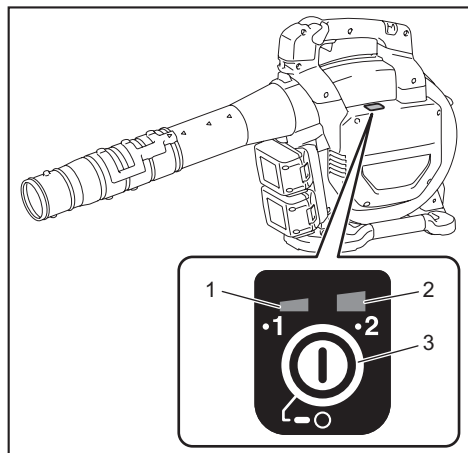
Protection contre la décharge excessive

Lorsque la charge de la batterie est insuffisante, la machine s'arrête automatiquement et le témoin du mode 1 clignote en rouge. Le cas échéant, retirez la batterie de la machine et chargez-la.

Interrupteur d'alimentation secteur

⚠ MISE EN GARDE : Mettez toujours l'interrupteur d'alimentation secteur en position d'arrêt lorsque vous n'utilisez pas l'outil.

Pour allumer la machine, appuyez sur l'interrupteur d'alimentation principale. Les témoins du mode 1 et du mode 2 s'allument en vert. Pour éteindre la machine, maintenez enfoncé l'interrupteur d'alimentation principale jusqu'à ce que les témoins du mode 1 et du mode 2 s'éteignent.



- (1) Témoin du mode 1 (2) Témoin du mode 2
(3) Interrupteur d'alimentation secteur

Vous pouvez utiliser la machine en mode d'aspiration. En mode d'aspiration, le volume d'aspiration est plus petit qu'en mode normal.

Lorsque vous allumez la machine, elle démarre en mode normal. Pour utiliser la machine en mode d'aspiration, appuyez sur l'interrupteur d'alimentation principale pendant que la machine est allumée. Le témoin du mode 2 s'éteint et seul le témoin du mode 1 s'allume en vert. Lorsque vous appuyez de nouveau sur l'interrupteur d'alimentation principale, la machine revient en mode normal et les témoins du mode 1 et du mode 2 s'allument en vert.

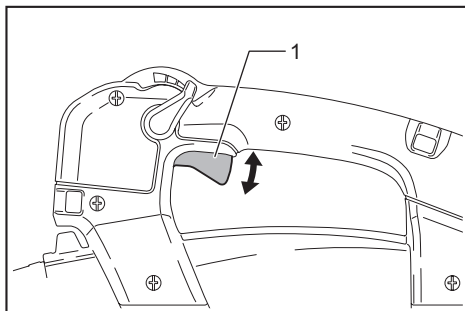
NOTE : Le témoin du mode 1 clignote en vert si la machine est utilisée dans des conditions inadéquates. Le témoin clignote dans l'une ou l'autre des situations suivantes.

- Lorsque vous appuyez sur la gâchette alors que le boulon du couvercle de ventilateur ou du tube d'aspiration n'est pas serré fermement, ou alors que le boulon du tube de souffleur ou du tube coudé n'est pas serré fermement.
- Lorsque vous allumez la machine alors que le levier de commande n'est pas revenu parfaitement sur la position d'arrêt, ou pendant que vous appuyez sur la gâchette.

NOTE : Cette machine utilise une fonction de mise hors tension automatique. Pour éviter les démarrages accidentels, l'alimentation est coupée automatiquement si la gâchette reste non enfoncée pendant un certain temps après avoir mis l'interrupteur d'alimentation principale en position de marche.

Interrupteur

⚠ MISE EN GARDE : Avant d'installer la batterie dans la machine, vérifiez toujours si la gâchette fonctionne correctement et revient en position d'arrêt lorsque libérée.

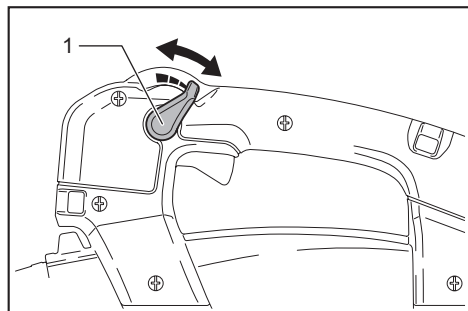


- 1. Gâchette

Pour démarrer la machine, appuyez simplement sur la gâchette. La vitesse augmente à mesure que vous augmentez la pression sur la gâchette. Pour arrêter, libérez la gâchette.

Fonction de régulateur de vitesse

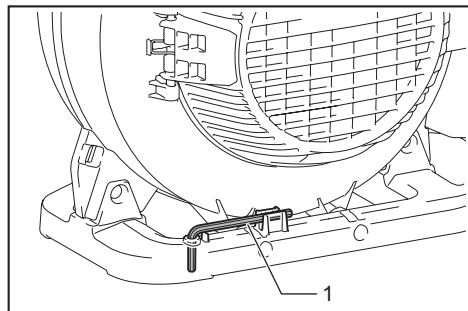
La fonction de régulateur de vitesse permet à l'utilisateur de maintenir une vitesse constante sans appuyer sur la gâchette. Pour augmenter la vitesse, tournez le levier de commande vers l'avant. Pour réduire la vitesse, tournez le levier de commande vers l'arrière.



► 1. Levier de commande

Rangement de la clé hexagonale

Lorsqu'elle n'est pas utilisée, rangez la clé hexagonale tel qu'illustré pour éviter de la perdre.



► 1. Clé hexagonale

Fonction de prévention du redémarrage accidentel

La machine ne démarrera pas si vous l'allumez alors que la gâchette est enfoncée ou pendant que le levier de commande n'est pas en position d'arrêt. Pour faire démarrer la machine, libérez d'abord la gâchette et ramenez complètement le levier de commande, puis allumez la machine.

Fonctions électroniques

La machine est dotée d'une fonction électronique qui facilite son utilisation.

- Commande de vitesse constante
La fonction de commande de vitesse procure une vitesse de rotation constante, quelle que soit la charge.

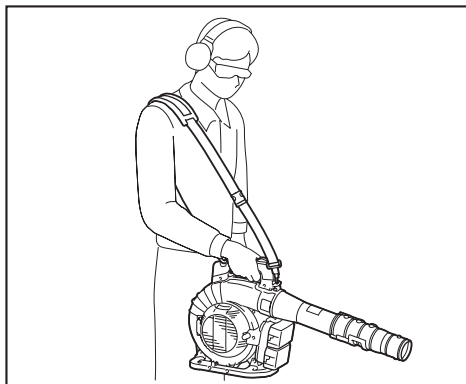
UTILISATION

ATTENTION : Ne mettez pas la machine sur le sol pendant qu'elle est allumée. Du sable ou des poussières peuvent pénétrer par l'entrée d'aspiration et provoquer un dysfonctionnement ou des blessures.

Utilisation en tant que souffleur

ATTENTION : Avant d'effectuer le travail de soufflage, veillez à retirer le tube d'aspiration, la buse d'aspiration, le tube coudé et le sac à poussières de la machine, et fixez le tube de souffleur et les buses sur la machine.

Tenez fermement la machine avec la main et effectuez le soufflage en la déplaçant lentement. Lorsque vous soufflez autour d'un bâtiment, d'une grosse pierre ou d'un véhicule, ne pointez pas la buse vers ces derniers. Lorsque vous travaillez dans un coin, commencez par le coin puis passez à la zone large.



Travail d'aspiration

ATTENTION : Avant d'effectuer le travail d'aspiration, veillez à retirer le tube de souffleur et les buses de la machine, et fixez le tube d'aspiration, la buse d'aspiration, le tube coudé, le sac à poussières et la bandoulière sur la machine.

ATTENTION : Vérifiez régulièrement l'usure ou la détérioration du sac à poussières.

ATTENTION : Avant d'utiliser la machine, veillez à fermer la fermeture du sac à poussières.

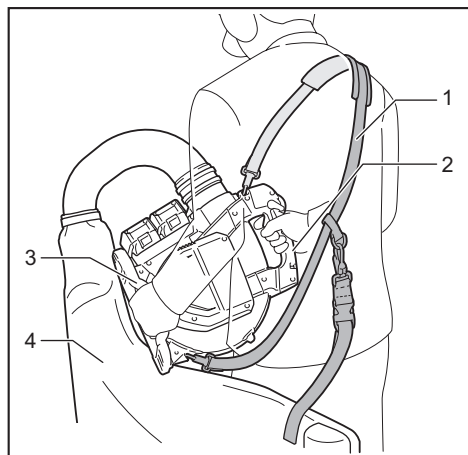
ATTENTION : Éteignez toujours la machine avant d'ouvrir ou de fermer la fermeture du sac à poussières.

AVIS : Ne laissez pas la machine aspirer les matières mouillées telles que les feuilles mouillées, et les corps étrangers tels que les gros copeaux de bois, morceaux de métal ou de verre, cailloux, etc. Autrement, il y a risque de dysfonctionnement.

AVIS : Videz le sac à poussières avant qu'il ne soit plein. Autrement, il y a risque de dysfonctionnement.

AVIS : Pour éviter l'aspiration de corps étrangers, il est recommandé d'utiliser la machine en mode d'aspiration.

1. Mettez la bandoulière et le sac à poussières sur votre épaule tel qu'indiqué sur la figure. Ajustez la longueur de la bandoulière.



- 1. Bandoulière 2. Poignée de transport 3. Poignée auxiliaire 4. Sac à poussières

2. Saisissez la poignée de transport de la main droite et la poignée auxiliaire de l'autre main.



3. Pendant l'utilisation de la machine, ajustez la pression sur la gâchette de sorte que la puissance d'aspiration soit adaptée à l'emplacement et aux conditions de travail.

ENTRETIEN

ATTENTION : Assurez-vous toujours que la machine est éteinte et que la batterie est retirée avant d'y effectuer tout travail d'inspection ou d'entretien.

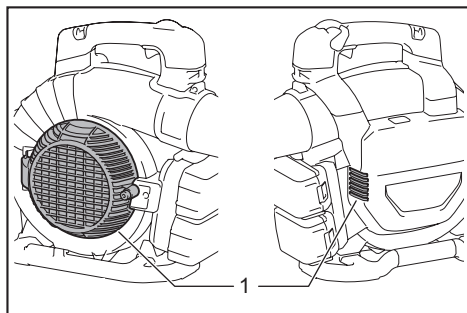
Pour maintenir la SÉCURITÉ et la FIABILITÉ du produit, les réparations et tout autre travail d'entretien ou de réglage doivent être effectués dans un centre de service après-vente autorisé ou une usine Makita, exclusivement avec des pièces de rechange Makita.

Nettoyage de la machine

Nettoyez la machine en essuyant les poussières avec un linge sec ou trempé dans une eau savonneuse et essoré.

AVIS : N'utilisez jamais d'essence, de benzine, de solvant, d'alcool ou autres produits similaires. Une décoloration, une déformation ou la formation de fissures peuvent en découler.

Retirez les poussières ou saletés des entrées d'aspiration.



- 1. Entrée d'aspiration

DÉPANNAGE

Avant de faire une demande de réparation, faites d'abord votre propre inspection. Si vous rencontrez un problème non indiqué dans ce manuel, n'essayez pas de démonter la machine. Demandez plutôt à un centre de service après-vente Makita agréé de faire la réparation avec des pièces de rechange Makita.

| État anormal | Cause probable (dysfonctionnement) | Solution |
|--|--|---|
| Le moteur ne tourne pas. | La batterie n'est pas installée. | Installez la batterie. |
| | Problème de batterie (tension insuffisante) | Rechargez la batterie. Si la recharge est sans effet, remplacez la batterie. |
| | Pour le souffleur Le tube de souffleur n'est pas fixé. Le couvercle de ventilateur n'est pas fermé. | Fixez le tube de souffleur, puis serrez le boulon. Fermez le couvercle de ventilateur, puis serrez le boulon. |
| | Pour l'aspiration Le tube coudé ou le tube d'aspiration n'est pas fixé. | Fixez le tube coudé ou le tube d'aspiration, puis serrez le boulon. |
| | Le dispositif d'entraînement ne fonctionne pas bien. | Demandez à votre centre local de service après-vente agréé d'effectuer la réparation. |
| Le moteur cesse de tourner au bout d'un court instant. | La charge de la batterie est faible. | Rechargez la batterie. Si la recharge est sans effet, remplacez la batterie. |
| | Surchauffe. | Cessez l'utilisation de la machine pour la laisser refroidir. |
| La machine n'atteint pas la vitesse maximale. | La batterie est mal installée. | Installez la batterie tel que décrit dans ce manuel. |
| | La puissance de la batterie diminue. | Rechargez la batterie. Si la recharge est sans effet, remplacez la batterie. |
| | Le dispositif d'entraînement ne fonctionne pas bien. | Demandez à votre centre local de service après-vente agréé d'effectuer la réparation. |
| Vibration anormale : ⇒ arrêtez immédiatement la machine ! | Le dispositif d'entraînement ne fonctionne pas bien. | Demandez à votre centre local de service après-vente agréé d'effectuer la réparation. |
| Le moteur ne peut pas s'arrêter : ⇒ Retirez immédiatement la batterie ! | Dysfonctionnement électrique ou électronique. | Retirez la batterie et demandez à votre centre local de service après-vente agréé d'effectuer la réparation. |

ACCESSOIRES EN OPTION

⚠ ATTENTION : Ces accessoires ou pièces complémentaires sont recommandés pour l'utilisation avec le produit Makita spécifié dans ce manuel. L'utilisation de tout autre accessoire ou pièce complémentaire peut comporter un risque de blessure. N'utilisez les accessoires ou pièces complémentaires qu'aux fins auxquelles ils ont été conçus.

Si vous désirez obtenir plus de détails sur ces accessoires, veuillez contacter le centre de service après-vente Makita le plus près.

- Ensemble d'aspiration
- Rallonge d'embout
- Embout plat
- Bandoulière
- Chargeur et batterie authentiques Makita

NOTE : Certains éléments de la liste peuvent être inclus dans l'emballage du produit comme accessoires standard. Ils peuvent varier d'un pays à l'autre.

GARANTIE LIMITÉE MAKITA

Pour les conditions de garantie en vigueur qui s'appliquent à ce produit, veuillez vous reporter à la feuille de garantie en annexe. Si la feuille de garantie en annexe n'est pas disponible, reportez-vous aux détails de la garantie présentés sur le site Web de votre pays, ci-dessous.

États-Unis d'Amérique: www.makitatools.com

Canada: www.makita.ca

Autres pays: www.makita.com

ESPECIFICACIONES

| Modelo: | | DUB363 |
|-------------------------------|-------------------------------|--|
| Capacidades | Volumen de aire | 0 m ³ /min - 13,4 m ³ /min (0 cu.ft./min - 473 cu.ft./min) |
| | Velocidad del aire (promedio) | 0 m/s - 54 m/s (0 MPH - 120 MPH) |
| | Velocidad del aire (máx.) | 0 m/s - 65 m/s (0 MPH - 145 MPH) |
| Dimensiones (La x An x Al) *1 | | 341 mm x 193 mm x 415 mm (13-3/8" x 7-5/8" x 16-3/8") |
| Tensión nominal | | 36 V c.c. |
| Peso neto | Sopladora *2 | 3,8 - 5,2 kg (8,4 - 11,5 lbs) |
| | Aspiradora *3 | 6,0 - 6,6 kg (13,2 - 14,6 lbs) |

*1. Sin los tubos, boquillas, bolsa recolectora de polvo, correa para el hombro y cartuchos de batería.

*2. Con el tubo de la sopladora, la boquilla de extremo y la boquilla plana, y sin el tubo de succión, boquilla de succión, tubo acodado, bolsa recolectora de polvo y correa para el hombro.

*3. Con el tubo de succión, boquilla de succión, tubo acodado, bolsa recolectora de polvo y correa para el hombro, y sin el tubo de la sopladora, la boquilla de extremo y la boquilla plana.

- Debido a nuestro continuo programa de investigación y desarrollo, las especificaciones aquí incluidas están sujetas a cambio sin previo aviso.
- Las especificaciones pueden variar de país a país.
- El peso puede variar en función de los accesorios, incluido el cartucho de batería. En la tabla se muestra la combinación de peso más ligero y más pesado conforme al procedimiento 01/2014 de EPTA.

Cartucho de batería y cargador aplicables

| | |
|---------------------|--|
| Cartucho de batería | BL1815N / BL1820B / BL1830 / BL1830B / BL1840B / BL1850B / BL1860B |
| Cargador | DC18RC / DC18RD / DC18RE / DC18SD / DC18SE / DC18SF |

- Algunos de los cartuchos de batería y cargadores enumerados arriba podrían no estar disponibles dependiendo de su área de residencia.

⚠ ADVERTENCIA: Use únicamente los cartuchos de batería y los cargadores indicados arriba. El uso de cualquier otro cartucho de batería y cargador podría ocasionar una lesión y/o un incendio.

ADVERTENCIAS DE SEGURIDAD

INSTRUCCIONES IMPORTANTES DE SEGURIDAD

Al usar cualquier aparato eléctrico, siempre deben seguirse las precauciones básicas, incluyendo las siguientes:

LEA TODAS LAS INSTRUCCIONES ANTES DE USAR EL APARATO.

ADVERTENCIA: Para reducir el riesgo de incendio, descarga eléctrica o lesión:

1. No deje el aparato con la batería puesta. Retire la batería del aparato cuando no lo vaya a utilizar y antes de dar servicio de mantenimiento.
2. No lo exponga a la lluvia. Almacénelo en interiores.
3. No permita que sea utilizado como un juguete. Preste mucha atención cuando sea utilizado por niños o cerca de ellos.
4. Utilícelo solamente como se describe en este manual. Sólo use aditamentos recomendados por el fabricante.
5. No lo utilice con una batería dañada. Si el aparato no está funcionando como debiera, se ha dejado caer, se ha dañado, se ha dejado a la intemperie o ha caído sobre agua, llévelo a un centro de servicio.

6. No introduzca ningún objeto en las aberturas. No lo utilice con ninguna abertura bloqueada; manténgalo libre de polvo, pelusa, cabello y cualquier objeto que pueda reducir el flujo de aire.
7. Mantenga el cabello, la ropa holgada, los dedos y todas las partes del cuerpo lejos de las aberturas y piezas móviles.
8. Tenga especial cuidado cuando limpie en escaleras.
9. Utilice solamente el cargador suministrado por el fabricante para recargar.
10. No la utilice para recoger líquidos inflamables o combustibles, tal como gasolina, ni en áreas donde puedan estar presentes.
11. No recoja nada que se esté quemando o desprenda humo, tal como cigarrillos, fósforos o cenizas calientes.
12. No la utilice sin la bolsa recolectora de polvo colocada cuando recolecte polvo.
4. No use una postura forzada y mantenga el equilibrio y los pies en firme en todo momento.
5. Nunca sople escombros en dirección de las personas cercanas.
6. Utilice la máquina en una posición recomendada y sobre una superficie firme.
7. No opere la máquina en lugares elevados.
8. Cuando utilice la máquina, no apunte nunca la boquilla a nadie alrededor.
9. Nunca bloquee la entrada de succión o la salida de la sopladora.
 - Tenga cuidado de no bloquear la entrada de succión o la salida de la sopladora con polvo o suciedad al operar en áreas con polvo.
 - No use boquillas que no sean las proporcionadas por Makita.
 - No utilice la sopladora para inflar pelotas, botes de caucho o similares.

GUARDE ESTAS INSTRUCCIONES.

Este aparato está diseñado para un uso tanto doméstico como comercial.

Instrucciones de seguridad para la sopladora Inalámbrica

Preparación

1. Siempre use calzado robusto y pantalones largos al operar la máquina.
2. No use ropa holgada o alhajas que puedan ser jaladas hacia la entrada de aire. Mantenga el cabello largo lejos de las entradas de aire.
3. Use siempre gafas protectoras, una gorra y una mascarilla cuando utilice la máquina. Los anteojos comunes o para el sol NO son gafas de seguridad.
4. Para evitar la irritación por polvo, se recomienda el uso de una mascarilla.
5. Cuando opere la máquina use siempre calzado de protección con suela antiderrapante. Los zapatos y botas de seguridad cerrados con suela antideslizante reducen el riesgo de lesiones.

Operación

1. Nunca opere la máquina cuando haya personas, especialmente niños, o mascotas cerca.
2. Apague la máquina y retire el cartucho de batería y asegúrese de que todas las partes móviles se hayan detenido por completo
 - cada vez que deje la máquina.
 - antes de despejar obstrucciones.
 - antes de revisar, limpiar o trabajar en la máquina.
 - si la máquina empieza a vibrar de manera anormal.
 - cada vez que cambie la máquina de sopladora a aspiradora y viceversa.
3. Utilice la máquina solamente a la luz del día o en buenas condiciones de iluminación artificial.

10. No haga funcionar la máquina cerca de una ventana abierta, etc.
11. Se recomienda operar la máquina solo a horas razonables, no temprano en la mañana o tarde en la noche para no molestar a las personas.
12. Se recomienda usar rastrillos y escobas para aflojar los residuos antes de soplar.
13. Si la máquina golpea algún objeto extraño o comienza a hacer cualquier ruido o vibración inusual, apague la máquina inmediatamente para detenerlo. Retire el cartucho de batería de la máquina e inspeccione la máquina para verificar si hay algún daño antes de volver a encenderla y ponerla en funcionamiento. Si la máquina se daña, solicite la reparación a los centros de servicio autorizado de Makita.
14. No introduzca los dedos u otros objetos en la entrada de succión o en la salida de la sopladora.
15. Evite un arranque accidental. Asegúrese de que el interruptor esté en la posición apagada antes de insertar el cartucho de batería, levantar la máquina o cargarla. Cargar la máquina con su dedo en el interruptor o pasar energía a la máquina con el interruptor encendido puede propiciar accidentes.
16. Nunca sople o aspire materiales peligrosos, como clavos, fragmentos de vidrio o cuchillas.
17. No opere la máquina cerca de materiales inflamables.
18. Evite hacer funcionar la máquina durante mucho tiempo en ambientes de temperatura baja.
19. Siempre utilice la bolsa recolectora de polvo cuando recolecte polvo, rebabas y objetos similares.
20. No recoja cenizas de cigarrillos humeantes, virutas de metal recién cortadas, tornillos, clavos y similares.

Mantenimiento y almacenamiento

1. Mantenga apretados todos los tuercas, pernos y tornillos para asegurar que la máquina se encuentre en condiciones seguras de operación.

2. Si las piezas están desgastadas o dañadas, reemplácelas con piezas proporcionadas por Makita.
3. Guarde la máquina en un lugar seco fuera del alcance de los niños.
4. Cuando detenga la máquina para inspeccionarla, repararla, almacenarla o cambiarle un accesorio, apáguela y asegúrese de que todas las partes en movimiento se detengan por completo y retire el cartucho de batería. Enfríe la máquina antes de realizar cualquier trabajo en la misma. Mantenga la máquina con cuidado y manténgala limpia.
5. Siempre permita que la máquina se enfríe antes de almacenarla.
6. Cuando levante la máquina, asegúrese de doblar las rodillas y tenga cuidado de no lastimarse la espalda.
8. No exponga un paquete de baterías o una herramienta al fuego o a una temperatura excesiva. La exposición al fuego a una temperatura superior a 130 °C (265 °F) podría causar una explosión.
9. Siga todas las instrucciones relativas a la carga y no cargue el paquete de baterías o la herramienta fuera del rango de temperatura especificado en las instrucciones. Cargar de manera inapropiada o a temperaturas fuera del rango especificado podría dañar la batería e incrementar el riesgo de incendio.
10. Pida que el servicio lo realice un técnico en reparaciones calificado y que utilice únicamente piezas de repuesto idénticas a las originales. Esto garantizará que se mantenga la seguridad del producto.
11. No modifique ni intente reparar la herramienta ni el paquete de baterías salvo como se indique en las instrucciones para el uso y cuidado.

Uso y cuidado de la herramienta a batería

1. Evite una puesta en marcha accidental. Asegúrese de que el interruptor esté en la posición apagada antes de conectar el paquete de baterías, levantar la herramienta o cargarla. Cargar la herramienta con su dedo en el interruptor o pasar energía a la herramienta con el interruptor encendido puede propiciar accidentes.
2. Desconecte el paquete de baterías de la herramienta antes de hacer cualquier ajuste, cambiar accesorios o almacenar la herramienta. Estas medidas de seguridad preventivas reducen el riesgo de poner en marcha la herramienta accidentalmente.
3. Recargue sólo con el cargador especificado por el fabricante. Un cargador que sea adecuado para un tipo específico de paquete de batería puede generar un riesgo de incendio al usarse con un paquete de batería distinto.
4. Use las herramientas únicamente con los paquetes de baterías designados específicamente para ellas. El uso de otros paquetes de baterías puede generar riesgo de lesiones e incendio.
5. Cuando no se esté usando el paquete de batería, manténgalo alejado de otros objetos metálicos, como sujetapapeles (clips), monedas, llaves, clavos, tornillos u otros objetos pequeños de metal que puedan crear una conexión entre una terminal y otra. Causar un cortocircuito en las terminales de la batería puede provocar quemaduras o incendio.
6. En condiciones de mal uso, podría escapar líquido de la batería; evite el contacto. Si toca el líquido accidentalmente, enjuague con agua. Si hay contacto del líquido con los ojos, solicite atención médica. El líquido expulsado de la batería puede causar irritación o quemaduras.
7. No utilice un paquete de baterías o una herramienta que esté dañado/dañada o haya sido modificado/modificada. Las baterías dañadas o modificadas podrían comportarse de manera impredecible causando un incendio, explosión o riesgo de lesión.

Seguridad eléctrica y de la batería

1. No abra ni arroje la(s) batería(s) al fuego. La celda podría explotar. Consulte los códigos locales para ver si hay instrucciones especiales relativas al desecho.
2. No abra ni dañe la(s) batería(s). Los electrolitos liberados son corrosivos y pueden ocasionar daños en los ojos o la piel. Pueden ser tóxicos si se llegan a tragar.
3. No cargue la batería bajo la lluvia ni en lugares mojados.
4. No cargue la batería en exteriores.
5. No manipule el cargador, incluida la clavija del cargador, ni los terminales con las manos mojadas.

Servicio

1. Haga que una persona calificada repare la herramienta eléctrica utilizando sólo piezas de repuesto idénticas. Esto asegura que se mantenga la seguridad de la herramienta eléctrica.
2. Nunca dé servicio a baterías que estén dañadas. El servicio a las baterías solamente deberá ser efectuado por el fabricante o un agente de servicio autorizado.

CONSERVE ESTAS INSTRUCCIONES.

⚠ADVERTENCIA: NO DEJE que la comodidad o familiaridad con el producto (a base de utilizarlo repetidamente) evite que siga estrictamente las normas de seguridad para dicho producto.



El USO INCORRECTO o el no seguir las normas de seguridad indicadas en este manual de instrucciones puede ocasionar lesiones graves.

⚠ADVERTENCIA: El uso de este producto puede producir polvo que contenga sustancias químicas que podrían causar enfermedades respiratorias o de otro tipo. Algunos ejemplos de estas sustancias químicas son los compuestos encontrados en pesticidas, insecticidas, fertilizantes y herbicidas.

El riesgo al que se expone varía, dependiendo de la frecuencia con la que realice este tipo de trabajo. Para reducir la exposición a estas sustancias químicas: trabaje en un área bien ventilada y use un equipo de seguridad aprobado, tal como las máscaras contra polvo que están especialmente diseñadas para filtrar partículas microscópicas.

Símbolos

A continuación se muestran los símbolos utilizados para la herramienta.

| | |
|--|------------------------------|
|  | volts o voltios |
|  | corriente directa o continua |

Instrucciones importantes de seguridad para el cartucho de batería

1. Antes de utilizar el cartucho de batería, lea todas las instrucciones e indicaciones de precaución en el (1) el cargador de batería, (2) la batería, y (3) el producto con el que se utiliza la batería.
2. No desarme el cartucho de batería.
3. Si el tiempo de operación se ha acortado en exceso, deje de operar de inmediato. Podría correrse el riesgo de sobrecalentamiento, posibles quemaduras e incluso explosión.
4. En caso de que ingresen electrolitos en sus ojos, enjuáguelos bien con agua limpia y consulte de inmediato a un médico. Esto podría ocasionar pérdida de visión.
5. Evite cortocircuitar el cartucho de batería:
 - (1) No toque las terminales con ningún material conductor.
 - (2) Evite guardar el cartucho de batería en un cajón junto con otros objetos metálicos, tales como clavos, monedas, etc.
 - (3) No exponga el cartucho de batería al agua o la lluvia.Un cortocircuito en la batería puede causar un flujo grande de corriente, sobrecalentamiento, posibles quemaduras e incluso una descompostura.
6. No guarde la herramienta ni el cartucho de batería en lugares donde la temperatura pueda alcanzar o exceder los 50°C (122°F).
7. Nunca incinere el cartucho de batería incluso en el caso de que esté dañado seriamente o ya no sirva en absoluto. El cartucho de batería puede explotar si se tira al fuego.

8. Tenga cuidado de no dejar caer ni golpear la batería.
9. No use una batería dañada.
10. Las baterías de ión de litio están sujetas a los requisitos reglamentarios en materia de bienes peligrosos.

Para el transporte comercial, por ej., mediante terceros o agentes de transporte, se deben tomar en cuenta los requisitos especiales relativos al empaque y el etiquetado.

Para efectuar los preparativos del artículo que se va a enviar, se requiere consultar a un experto en materiales peligrosos. Si es posible, consulte además otras regulaciones nacionales más detalladas.

Pegue o cubra con cinta adhesiva los contactos abiertos y empaque la batería de manera que ésta no pueda moverse dentro del paquete.
11. Para deshacerse del cartucho de batería, sáquelo de la herramienta y deséchelo en un lugar seguro. Siga las regulaciones locales relacionadas al desecho de las baterías.
12. Utilice las baterías únicamente con los productos especificados por Makita. Instalar las baterías en productos que no cumplan con los requisitos podría ocasionar un incendio, un calentamiento excesivo, una explosión o una fuga de electrolito.
13. Si no se utiliza la herramienta por un período largo, debe extraerse la batería de la herramienta.

GUARDE ESTAS INSTRUCCIONES.

⚠PRECAUCIÓN: Utilice únicamente baterías originales de Makita. El uso de baterías no originales de Makita, o de baterías alteradas, puede ocasionar que las baterías exploten causando un incendio, lesiones personales y daños. Asimismo, esto invalidará la garantía de Makita para la herramienta y el cargador Makita.

Consejos para alargar al máximo la vida útil de la batería

1. Cargue el cartucho de batería antes de que se descargue completamente. Pare siempre la operación y cargue el cartucho de batería cuando note menos potencia en la herramienta.
2. No cargue nunca un cartucho de batería que esté completamente cargado. La sobrecarga acortará la vida de servicio de la batería.
3. Cargue el cartucho de batería a una temperatura ambiente de 10 °C - 40 °C (50 °F - 104 °F). Si un cartucho de batería está caliente, déjelo enfriar antes de cargarlo.
4. Cargue el cartucho de batería si no va a utilizarlo durante un período prolongado (más de seis meses).

MONTAJE

⚠ PRECAUCIÓN: Asegúrese siempre de que la máquina haya sido apagada y el cartucho de batería extraído antes de realizar cualquier trabajo en la máquina.

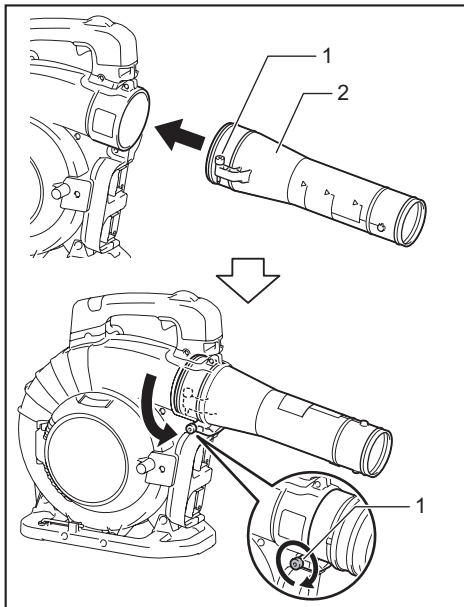
AVISO: Antes de operar la máquina, asegúrese de ensamblar la máquina por completo. De lo contrario, la máquina no funciona.

Ensamblaje para soplar

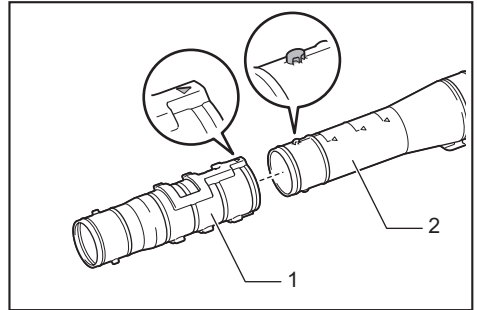
Instalación o extracción del tubo de la sopladora y la boquilla

1. Ensamble el tubo de la sopladora en la unidad principal.

Inserte el tubo de la sopladora dentro de la unidad principal, con el perno orientado hacia la izquierda, tal como se muestra en la figura. Gire el tubo de la sopladora como se muestra en la figura para que el perno quede alineado con el orificio de la unidad principal, y luego apriete el perno firmemente con la llave hexagonal.



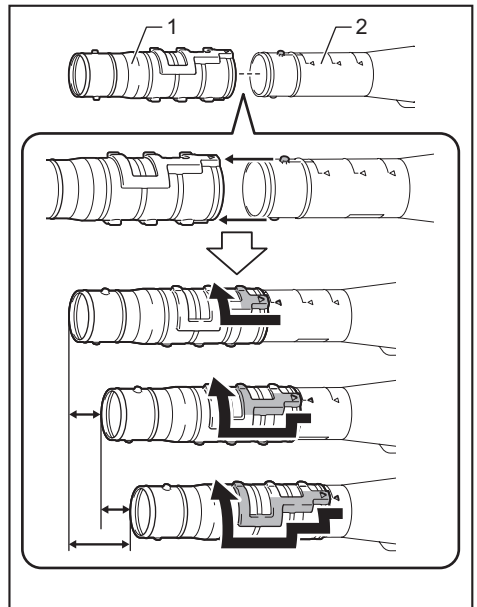
2. Alinee la protuberancia en el tubo de la sopladora con la ranura en la boquilla de extremo, luego conecte la boquilla de extremo al tubo de la sopladora y luego gire la boquilla de extremo para bloquearla en su lugar.



► 1. Boquilla de extremo 2. Tubo de la sopladora

Para extraer el tubo de la sopladora y la boquilla de extremo, realice el procedimiento de instalación en orden inverso.

NOTA: La longitud de la boquilla se puede modificar moviendo la boquilla tal como se muestra en la ilustración.

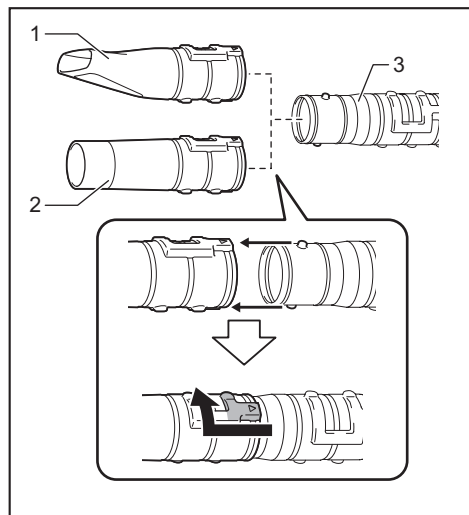


► 1. Boquilla de extremo 2. Tubo de la sopladora

Instalación o extracción de la boquilla plana o boquilla de extensión

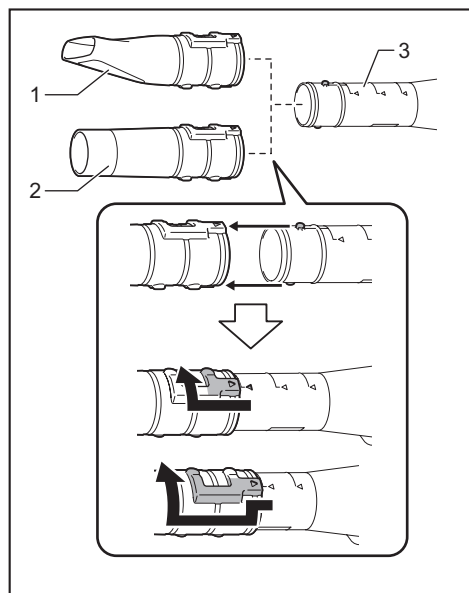
Accesorio opcional

Coloque la boquilla plana o la boquilla de extensión a la boquilla de extremo y luego gírela para bloquearla en su lugar.



► 1. Boquilla plana 2. Boquilla de extensión 3. Tubo adaptador

También puede colocar la boquilla plana o la boquilla de extensión al tubo de la sopladora.



► 1. Boquilla plana 2. Boquilla de extensión 3. Tubo de la sopladora

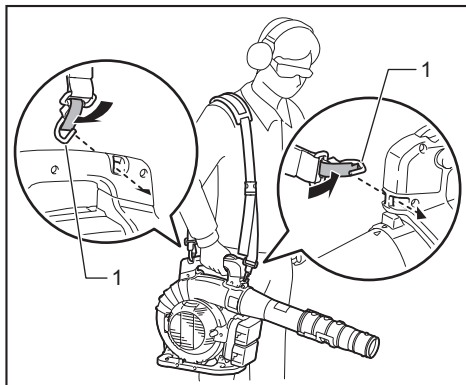
Para extraer la boquilla plana o la boquilla de extensión, realice el procedimiento de instalación en orden inverso.

Colocación de la correa para hombro

⚠PRECAUCIÓN: Asegúrese de colocar bien los ganchos de la correa para el hombro en la máquina. Si los ganchos no están bien ensartados, éstos podrían salirse y ocasionar una lesión.

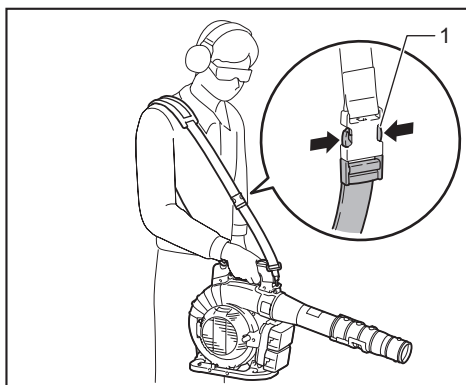
⚠PRECAUCIÓN: Asegúrese de utilizar la correa para hombro específica para esta herramienta. El uso de otro tipo de correa para hombro puede ocasionar una lesión.

Coloque los ganchos de la correa para el hombro en la máquina tal como se muestra en la ilustración.



► 1. Gancho

La correa para hombro cuenta con un medio de liberación rápida. Simplemente apriete los lados de la hebilla para liberar la máquina de la correa para hombro.

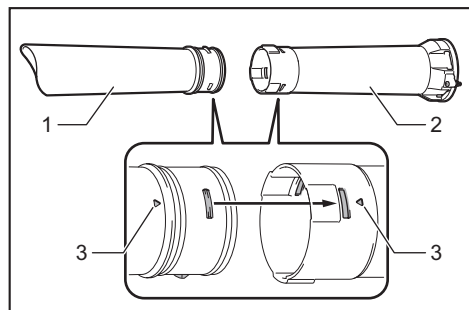


► 1. Hebilla

Instalación o extracción del tubo de succión y la boquilla

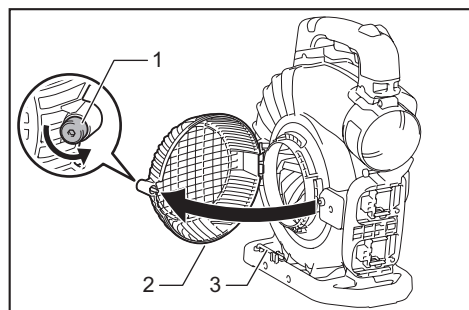
Accesorio opcional

1. Alinee la marca de triángulo en la boquilla de succión con la marca en el tubo de succión, luego inserte la boquilla de succión en el tubo de succión hasta que la aldabilla en la boquilla entre en su lugar.




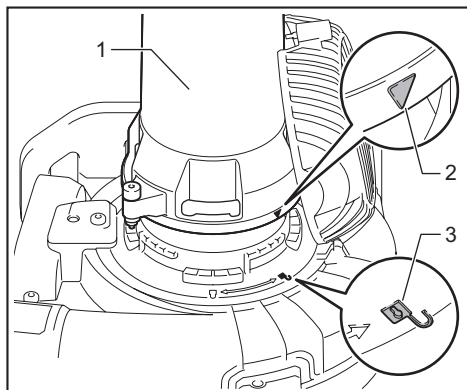
► 1. Boquilla de succión 2. Tubo de succión 3. Marca de triángulo


2. Afloje el perno en la cubierta del ventilador con la llave hexagonal y abra la cubierta del ventilador.



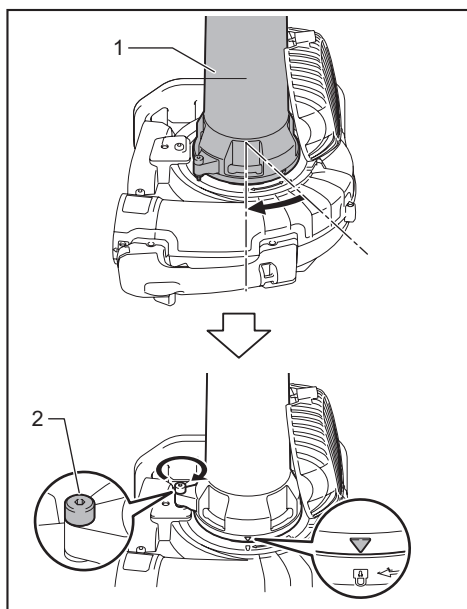
► 1. Perno 2. Cubierta del ventilador 3. Llave hexagonal

3. Alinee la marca de triángulo en el tubo de succión con la marca  en la unidad principal, luego coloque el tubo de succión en la unidad principal.



► 1. Tubo de succión 2. Marca de triángulo
3.  marca

4. Gire el tubo de succión en el sentido de las manecillas del reloj, para que el perno en el tubo quede alineado con el orificio en la unidad principal, luego apriete el perno firmemente con la llave hexagonal para asegurar el tubo a la unidad principal.



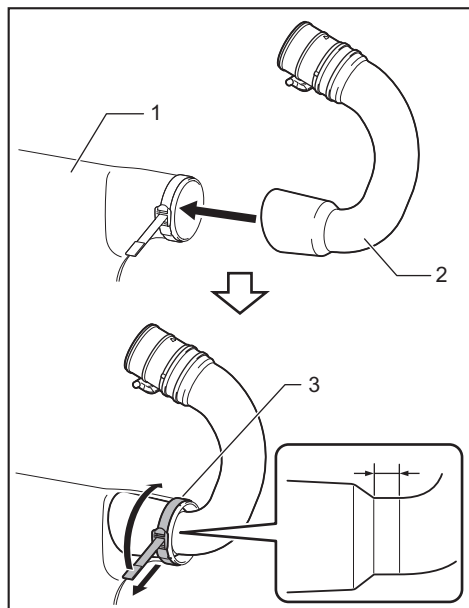
► 1. Tubo de succión 2. Perno

Para extraer el tubo de succión y la boquilla, realice el procedimiento de instalación en orden inverso.

Instalación o extracción del tubo acodado y la bolsa recolectora de polvo

Accesorio opcional

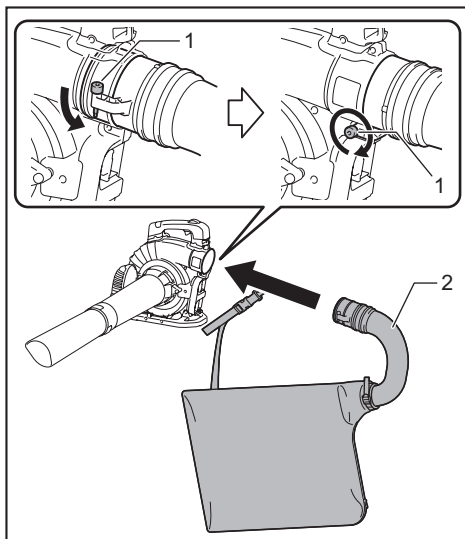
1. Inserte el tubo acodado en la bolsa recolectora de polvo y apriete la correa para fijar el tubo acodado, tal como se muestra en la figura.



► 1. Bolsa recolectora de polvo 2. Tubo acodado
3. Correa

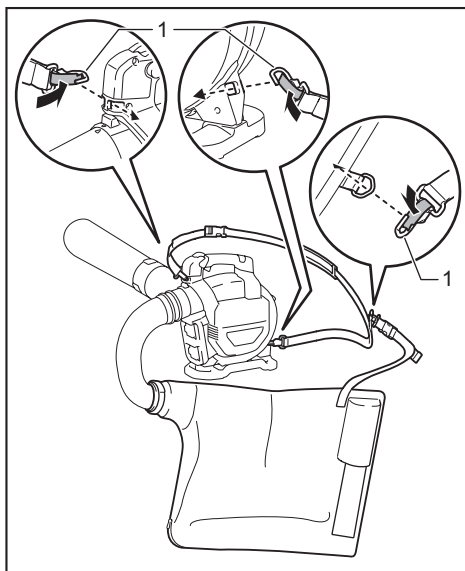
2. Ensamble el tubo acodado en la unidad principal.

Inserte el tubo acodado dentro de la unidad principal, con el perno orientado hacia la izquierda, tal como se muestra en la figura. Gire el tubo acodado como se muestra en la figura para que el perno quede alineado con el orificio de la unidad principal, y luego apriete el perno firmemente con la llave hexagonal.



► 1. Perno 2. Tubo acodado

3. Coloque el gancho de la bolsa recolectora de polvo a la correa para hombro, luego coloque los ganchos de la correa para hombro a la unidad principal, tal y como se ilustra en la figura.



► 1. Gancho

Para extraer la bolsa recolectora de polvo y el tubo acodado, realice el procedimiento de instalación en orden inverso.

DESCRIPCIÓN DEL FUNCIONAMIENTO

⚠️ PRECAUCIÓN: Asegúrese siempre de que la máquina esté apagada y que el cartucho de batería haya sido extraído antes de realizar cualquier ajuste o revisión del funcionamiento de la máquina.

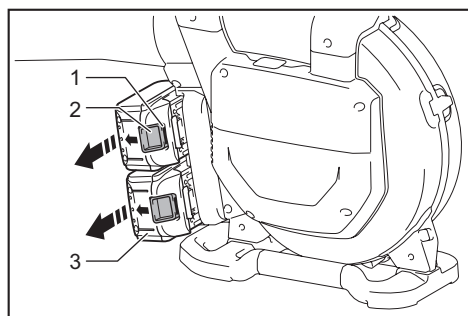
Instalación o extracción del cartucho de batería

⚠️ PRECAUCIÓN: Apague siempre la máquina antes de instalar o extraer el cartucho de batería.

⚠️ PRECAUCIÓN: Sujete la máquina y el cartucho de batería con firmeza al colocar o quitar el cartucho de batería. Si no se sujeta con firmeza la máquina y el cartucho de batería, puede ocasionar que se resbalen de sus manos resultando en daños a la máquina y al cartucho de batería, así como lesiones a la persona.

⚠️ PRECAUCIÓN: Siempre introduzca completamente el cartucho de batería hasta que el indicador rojo no pueda verse. Si no es así, éste podría caerse de la máquina ocasionándole una lesión a usted o a alguien más a su alrededor.

⚠️ PRECAUCIÓN: No instale el cartucho de batería a la fuerza. Si el cartucho no se desliza al interior fácilmente, se debe a que no está siendo insertado correctamente.



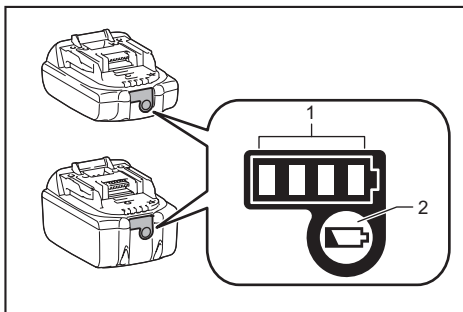
► 1. Indicador rojo 2. Botón 3. Cartucho de batería

Para quitar el cartucho de batería, deslícelo de la máquina mientras desliza el botón sobre la parte delantera del cartucho.

Para colocar el cartucho de batería, alinee la lengüeta sobre el cartucho de batería con la ranura en la carcasa y deslice en su lugar. Inserte por completo hasta que se fije en su lugar con un pequeño clic. Si puede ver el indicador rojo del lado superior del botón, esto indica que no ha quedado fijo por completo.

Indicación de la capacidad restante de la batería

Únicamente para cartuchos de batería con el indicador



► 1. Luces indicadoras 2. Botón de verificación

Oprima el botón de verificación en el cartucho de la batería para que indique la capacidad restante de la batería. Las luces indicadoras se iluminarán por algunos segundos.

| Luces indicadoras | | | Capacidad restante |
|-------------------|----------|-------------|---------------------------------------|
| Iluminadas | Apagadas | Parpadeando | |
| ■ ■ ■ ■ | | | 75% a 100% |
| ■ ■ ■ □ | | | 50% a 75% |
| ■ ■ □ □ | | | 25% a 50% |
| ■ □ □ □ | | | 0% a 25% |
| ▬ □ □ □ | | | Cargar la batería. |
| ■ ■ □ □ | | | La batería pudo haber funcionado mal. |
| □ □ ■ ■ | | | |

NOTA: Dependiendo de las condiciones de uso y la temperatura ambiente, la indicación podrá diferir ligeramente de la capacidad real.

Sistema de protección de la máquina/batería

Esta máquina está equipada con un sistema de protección de la máquina/batería. Este sistema corta automáticamente la alimentación al motor para prolongar la vida útil de la máquina y la batería. La máquina se detendrá automáticamente durante la operación si la máquina o la batería se someten a una de las siguientes condiciones:

Protección contra sobrecarga

Cuando la máquina o la batería se estén utilizando de una manera que cause que consuman una cantidad de corriente anormalmente alta, la máquina se detendrá automáticamente y la luz parpadeará para el modo 1 en color verde. En esta situación, apague la máquina y detenga la aplicación que haya causado que la máquina se sobrecargara. Luego encienda la máquina para volver a arrancarla.

Protección contra sobrecalentamiento

Cuando la máquina o la batería se sobrecalienten, la máquina se detendrá automáticamente y la luz se iluminará para el modo 1 en color rojo. En este caso, permita que la máquina y la batería se enfríen antes de volver a encender la máquina.

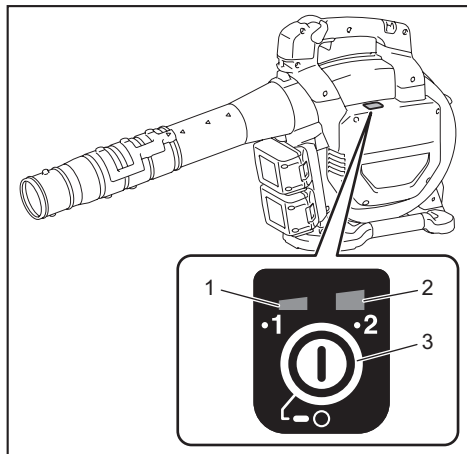
Protección en caso de sobredescarga

Cuando la capacidad de la batería no sea suficiente, la máquina se detendrá automáticamente y la luz parpadeará para el modo 1 en color rojo. En este caso, extraiga la batería de la máquina y cárguela.

Interruptor de alimentación principal

⚠ ADVERTENCIA: Siempre apague el interruptor de alimentación principal cuando no lo vaya a utilizar.

Para encender la máquina, oprima el interruptor de alimentación principal. Las luces se iluminarán para el modo 1 y el modo 2 en color verde. Para apagarlas, mantenga oprimido el interruptor de alimentación principal hasta que las luces para el modo 1 y el modo 2 se apaguen.



- (1) Luz para el modo 1 (2) Luz para el modo 2
(3) Interruptor de alimentación principal

Puede utilizar la máquina en el modo de aspirado. En el modo de aspirado, el volumen de succión es menor que en el modo normal.

Cuando enciende la máquina, esta arranca en el modo normal. Para usar la máquina en el modo de aspirado, oprima el interruptor de alimentación principal cuando la máquina esté encendida. La luz se apagará para el modo 2 y sólo se iluminará la luz para el modo 1 en color verde. Cuando oprima el interruptor de alimentación principal nuevamente, la máquina regresa al modo normal y las luces para el modo 1 y el modo 2 se iluminarán en color verde.

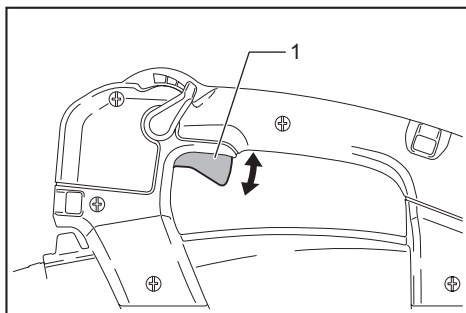
NOTA: La luz para el modo 1 parpadeará en verde si la máquina opera en condiciones de inoperabilidad. La luz parpadea en una de las siguientes condiciones.

- El gatillo interruptor se aprieta, cuando el perno en la cubierta del ventilador o el tubo de succión no se aprietan firmemente, o el perno en el tubo de la sopladora o del tubo acodado no se aprietan firmemente.
- La máquina se enciende cuando la palanca de control no regresa completamente a la posición de apagado, o mientras aprieta el gatillo interruptor.

NOTA: Esta máquina emplea la función de apagado automático. Para evitar un arranque accidental, el interruptor de alimentación principal se desactivará automáticamente cuando el gatillo interruptor no haya sido jalado durante cierto período después de haber activado el interruptor de alimentación principal.

Accionamiento del interruptor

⚠ ADVERTENCIA: Antes de instalar el cartucho de batería en la máquina, verifique siempre que el gatillo interruptor se accione debidamente y que regrese a la posición de apagado al soltarlo.

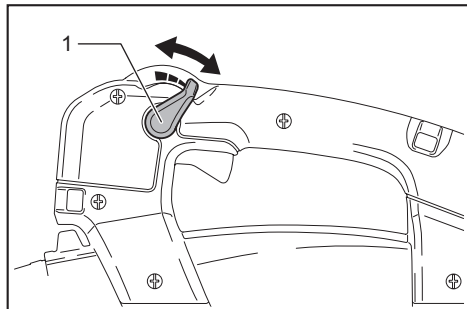


- 1. Gatillo interruptor

Para poner en marcha la máquina, simplemente apriete el gatillo interruptor. La velocidad de la máquina aumenta al incrementar la presión en el gatillo interruptor. Para detener la máquina, suelte el gatillo interruptor.

Función de control de velocidad

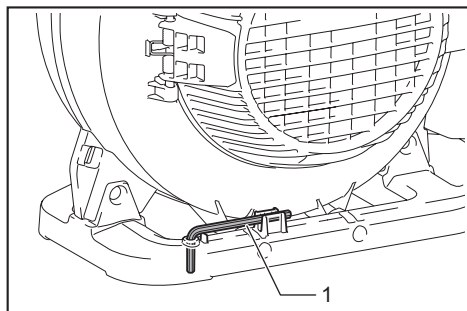
La función de control de velocidad permite al operador mantener una velocidad constante sin apretar del gatillo. Para aumentar la velocidad, gire la palanca de control hacia adelante. Para disminuir la velocidad, gire la palanca de control hacia atrás.



► 1. Palanca de control

Almacenamiento de la llave Allen (hexagonal)

Cuando no se utilice, guarde la llave hexagonal en su lugar tal como se muestra en la ilustración para evitar que se pierda.



► 1. Llave hexagonal

Función para evitar el encendido accidental

Si enciende la máquina mientras aprieta el gatillo interruptor o mientras la palanca de control no está en la posición de apagado, la máquina no arrancará. Para arrancar la máquina, primero suelte el gatillo interruptor y regrese la palanca de control completamente, y luego encienda la máquina.

Funcionamiento electrónico

La máquina está equipada con la función electrónica para facilitar la operación.

- Control de velocidad constante
La función de control de velocidad permite una rotación constante independientemente de las condiciones de carga.

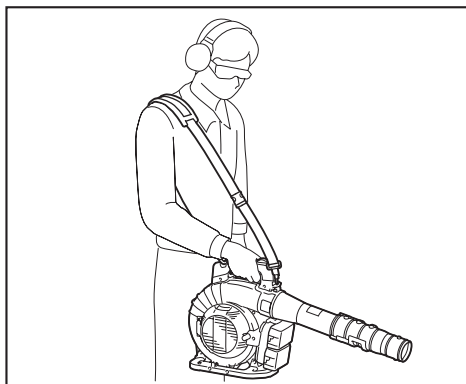
OPERACIÓN

⚠PRECAUCIÓN: No coloque la máquina en el suelo mientras esté encendida. Arena o polvo pueden entrar desde la entrada de succión y ocasionar una falla o una lesión personal.

Operación de soplado

⚠PRECAUCIÓN: Al realizar la operación de la sopladora, asegúrese de quitar el tubo de succión, la boquilla de succión, el tubo acodado y la bolsa recolectora de polvo de la máquina, y conecte el tubo de la sopladora y las boquillas a la máquina.

Sujete la máquina firmemente con una mano y realice la operación de soplado moviéndola lentamente. Al soplar alrededor de un edificio, piedras grandes o vehículos, dirija la boquilla lejos de ellos. Cuando realice una operación en una esquina, comience desde la esquina y luego muévase al área más amplia.



Operación de aspirado

⚠PRECAUCIÓN: Al realizar la operación de aspirado, asegúrese de quitar el tubo de la sopladora y las boquillas de la máquina, y conecte el tubo de succión, la boquilla de succión, el tubo acodado, la bolsa recolectora de polvo y la correa para hombro a la máquina.

⚠PRECAUCIÓN: Revise la bolsa recolectora de polvo con frecuencia para ver si presenta desgaste o deterioro.

⚠PRECAUCIÓN: Asegúrese de apretar el sujetador de la bolsa recolectora de polvo antes de operar la máquina.

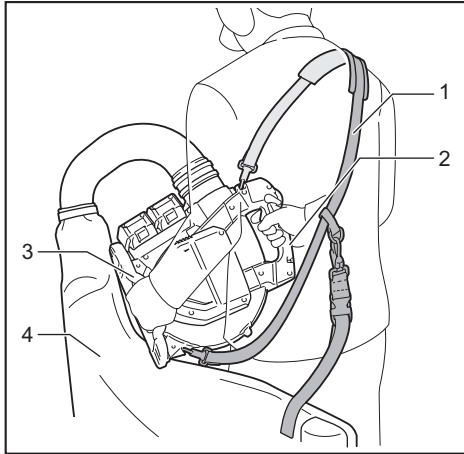
⚠PRECAUCIÓN: Apague siempre la máquina antes de abrir o apretar el sujetador de la bolsa recolectora de polvo.

AVISO: No permita que la máquina succione materiales húmedos, como hojas mojadas y materiales extraños como astillas grandes de madera, metales, vidrio, guijarros, etc. De lo contrario, podría ocurrir un desperfecto.

AVISO: Vacíe la bolsa recolectora de polvo antes de que se llene. De lo contrario, podría ocurrir un desperfecto.

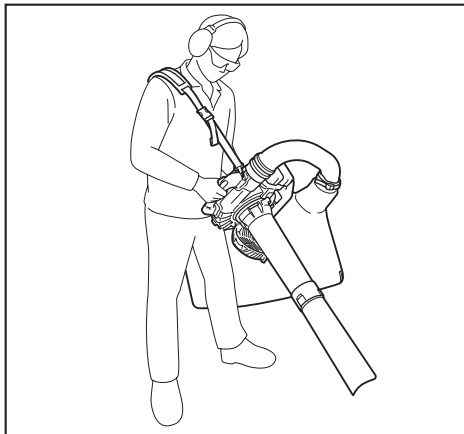
AVISO: Para evitar la succión de materiales extraños, se recomienda operar la máquina en el modo de aspirado.

1. Ponga la correa para hombro y la bolsa recolectora de polvo sobre el hombro, tal y como se ilustra en la figura. Ajuste la longitud de la correa.



- 1. Correa para el hombro 2. Mango portador
3. Mango de asistencia 4. Bolsa recolectora de polvo

2. Sujete el mango de transporte con su mano derecha y el mango de apoyo con la otra mano.



3. Mientras opera la máquina, ajuste el gatillo interruptor para que la fuerza de succión sea apropiada para la ubicación y las condiciones de trabajo.

MANTENIMIENTO

PRECAUCIÓN: Asegúrese siempre de que la máquina haya sido apagada y que el cartucho de batería haya sido extraído antes de intentar realizar una inspección o tarea de mantenimiento.

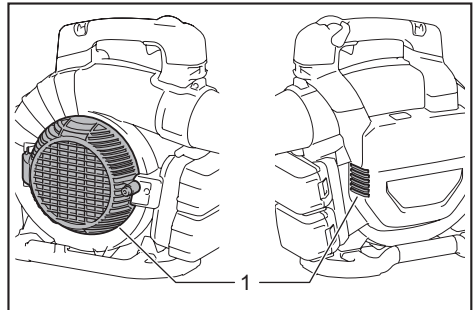
Para mantener la SEGURIDAD y FIABILIDAD del producto, las reparaciones, y cualquier otra tarea de mantenimiento o ajuste deberán ser realizadas en centros de servicio autorizados o de fábrica Makita, empleando siempre repuestos Makita.

Limpeza de la máquina

Quite el polvo de la máquina con un paño seco o humedezca un paño en agua y jabón y exprímalo para limpiarla.

AVISO: Nunca use gasolina, bencina, diluyente (tiner), alcohol o sustancias similares. Puede que esto ocasione grietas o descoloramiento.

Retire el polvo o la suciedad de las entradas de succión.



- 1. Entrada de succión

RESOLUCIÓN DE PROBLEMAS

Antes de solicitar alguna reparación, primero realice una inspección por su cuenta. Si detecta algún problema que no esté explicado en el manual, no intente desensamblar la máquina. En vez de esto, solicite la reparación a un centro de servicio autorizado de Makita, usando siempre piezas de repuesto Makita.

| Estado de la anomalía | Causa probable (avería) | Remedio |
|---|--|--|
| El motor no funciona. | El cartucho de batería no está instalado. | Instale el cartucho de batería. |
| | Problema con la batería (bajo voltaje) | Recargue la batería. Si la recarga no es efectiva, reemplace la batería. |
| | Para la sopladora El tubo de la sopladora no está colocado. La cubierta del ventilador no está cerrado. | Coloque el tubo de la sopladora y luego apriete el perno. Cierre la cubierta del ventilador y luego apriete el perno. |
| | Para el aspirado El tubo acodado o el tubo de succión no está colocado. | Coloque el tubo acodado o el tubo de succión y luego apriete el perno. |
| | El sistema de accionamiento no funciona correctamente. | Solicite la reparación en el centro de servicio autorizado de su localidad. |
| El motor deja de funcionar después de un rato de uso. | El nivel de carga de la batería es bajo. | Recargue la batería. Si la recarga no es efectiva, reemplace la batería. |
| | Sobrecalentamiento. | Deje de usar la máquina para permitir que se enfríe. |
| La máquina no alcanza la velocidad máxima. | La batería está mal instalada. | Instale el cartucho de batería como se describe en este manual. |
| | La potencia de la batería se está reduciendo. | Recargue la batería. Si la recarga no es efectiva, reemplace la batería. |
| | El sistema de accionamiento no funciona correctamente. | Solicite la reparación en el centro de servicio autorizado de su localidad. |
| Vibración anormal: ⇒ ¡Detenga la máquina inmediatamente! | El sistema de accionamiento no funciona correctamente. | Solicite la reparación en el centro de servicio autorizado de su localidad. |
| El motor no se puede detener: ⇒ ¡Extraiga la batería inmediatamente! | Avería eléctrica o electrónica. | Extraiga la batería y solicite la reparación en el centro de servicio autorizado de su localidad. |

ACCESORIOS OPCIONALES

⚠PRECAUCIÓN: Estos accesorios o aditamentos están recomendados para utilizarse con su producto de Makita especificado en este manual. El uso de cualquier otro accesorio o aditamento puede ocasionar riesgo de lesiones personales. Use los accesorios o aditamentos sólo para los propósitos para los que fueron diseñados.

Si necesita cualquier ayuda para más detalles en relación con estos accesorios, pregunte a su centro de servicio local Makita.

- Kit para aspirado
- Boquilla de extensión
- Boquilla plana
- Correa para el hombro
- Batería y cargador originales de Makita

NOTA: Algunos de los artículos en la lista puede que vengan junto con el paquete del producto como accesorios incluidos. Puede que estos accesorios varíen de país a país.

GARANTÍA LIMITADA DE MAKITA

Ésta Garantía no aplica para México

Consulte la hoja de la garantía anexa para ver los términos más vigentes de la garantía aplicable a este producto. En caso de no disponer de esta hoja de garantía anexa, consulte los detalles sobre la garantía descritos en el sitio web de su país respectivo indicado a continuación.

Estados Unidos de América: www.makitatools.com

Canadá: www.makita.ca

Otros países: www.makita.com

Makita Corporation
3-11-8, Sumiyoshi-cho,
Anjo, Aichi 446-8502 Japan
www.makita.com

| |
|--|
| 885762-934 DUB363-1 EN, FRCA, ESMX 20191016 |
|--|