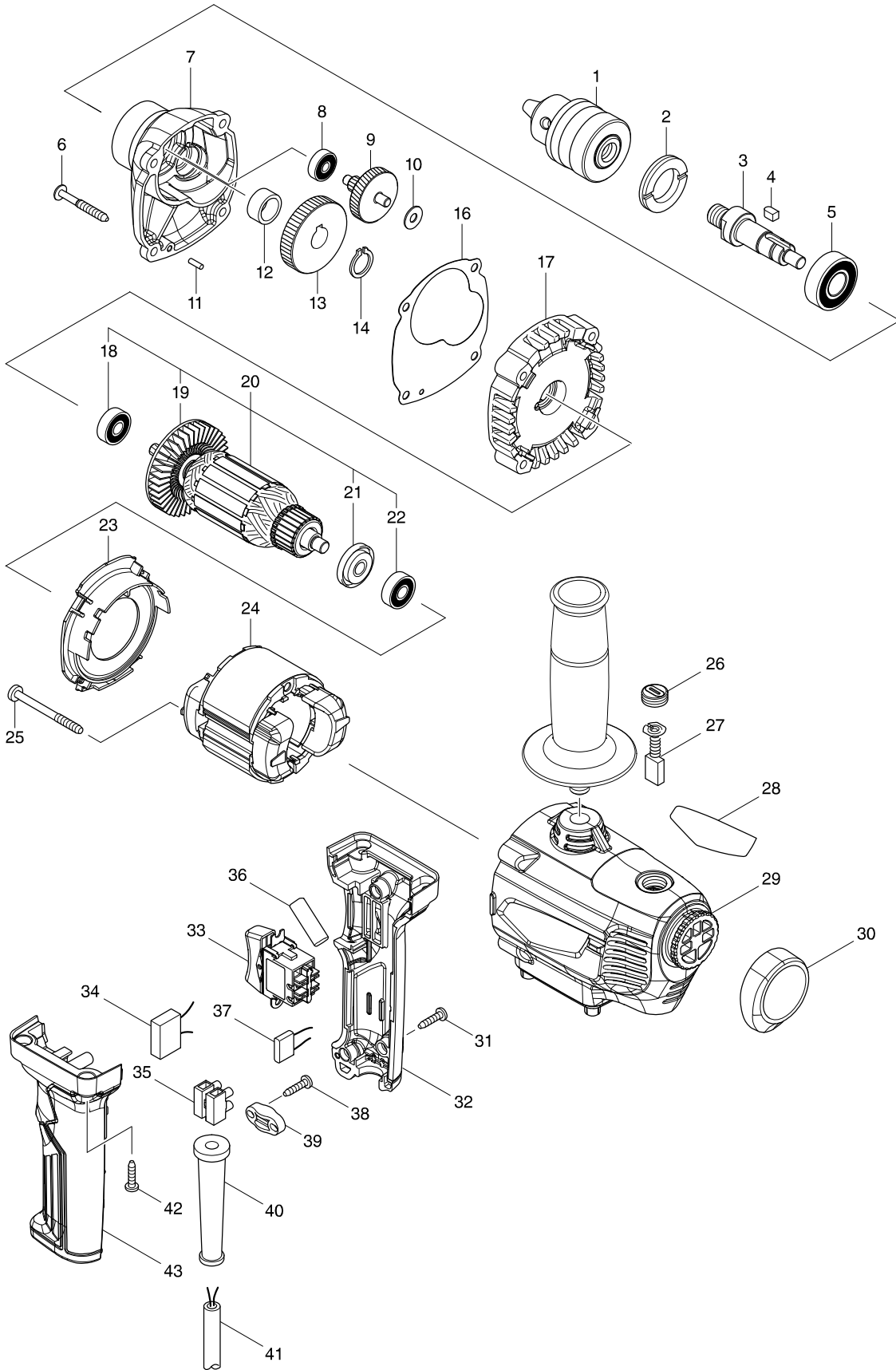


# Numéro du modèle M6201 13MM(1/2")DRILL



Position	Référence pièce	Description	Echelle	QTE	N/O	Option 1	Option 2	COMMENTAIRE
001	766023-5	DRILL CHUCK S13		1				
002	285848-3	BEARING RETAINER 23-36		1		P1		
003	326600-1	SPINDLE		1				
004	254211-1	KEY 5		1		P7		
005	211487-3	BALL BEARING 6202DDW		1				
006	266211-9	TAPPING SCREW 5X40		4		P2		
007	142841-9	GEAR HOUSING COMPLETE		1				
C10	263002-9	RUBBER PIN 4		1		P1		
008	211499-6	BALL BEARING 626ZZ		1				
009	226028-2	GEAR COMPLETE 7-41		1		P26		
010	253804-1	FLAT WASHER 6		1		P2		
011	256180-2	PIN 3		1		P2		
012	257018-4	RING 15		1		P6		
013	221261-1	SPUR GEAR 47		1		P24		
014	961054-1	RETAINING RING S-14		1		P2		
016	442207-6	GASKET		1				
017	142840-1	GEAR HOUSING COVER COMPLETE		1				
C10	263002-9	RUBBER PIN 4		1		P1		
018	210029-0	BALL BEARING 608ZZ		1		P2		
019	241850-6	FAN 60		1		P6		
020	513919-9	ARMATURE ASS'Y 240V		1				
D10		INC. 18,19,21,22						
021	681644-1	INSULATION WASHER		1		P2		
022	210029-0	BALL BEARING 608ZZ		1		P2		
023	455343-9	BAFFLE PLATE		1				
024	594659-8	FIELD ASS'Y 240V		1				
C10	654020-2	RING TERMINAL		2		P4		
C20	654501-6	CONNECTOR P-1.25		2		P3		
025	266418-7	TAPPING SCREW 5X55		2		P1		
026	644500-6	HOLDER CAP 7X11		2				
027	191963-2	CARBON BRUSH CB-303		1		P12		
028	850W10-3	M6201 NAME PLATE		1				
029	143121-6	MOTOR HOUSING COMPLTE		1				
C10	644501-4	BRUSH HOLDER 5X11		2				
030	424654-3	CAP		1				
031	266326-2	TAPPING SCREW 4X18		3		P2		
032	183B03-2	SWITCH HANDLE SET		1	*			
D10		INC. 43			*			
032-1	187945-0	SWITCH HANDLE SET	<	1				
D10		INC. 43						
033	650732-5	SWITCH TN55		1				
034	645190-8	NOISE SUPPRESSOR		1		P1		
035	654531-7	TERMINAL BLOCK 2P		1		P19		
036	688165-4	LINE FILTER		1		P1		
037	646755-9	RESISTOR		1		P3		
038	266326-2	TAPPING SCREW 4X18		2		P2		
039	687124-5	STRAIN RELIEF		1		P1		
040	682566-8	CORD GUARD 10		1		P2		

