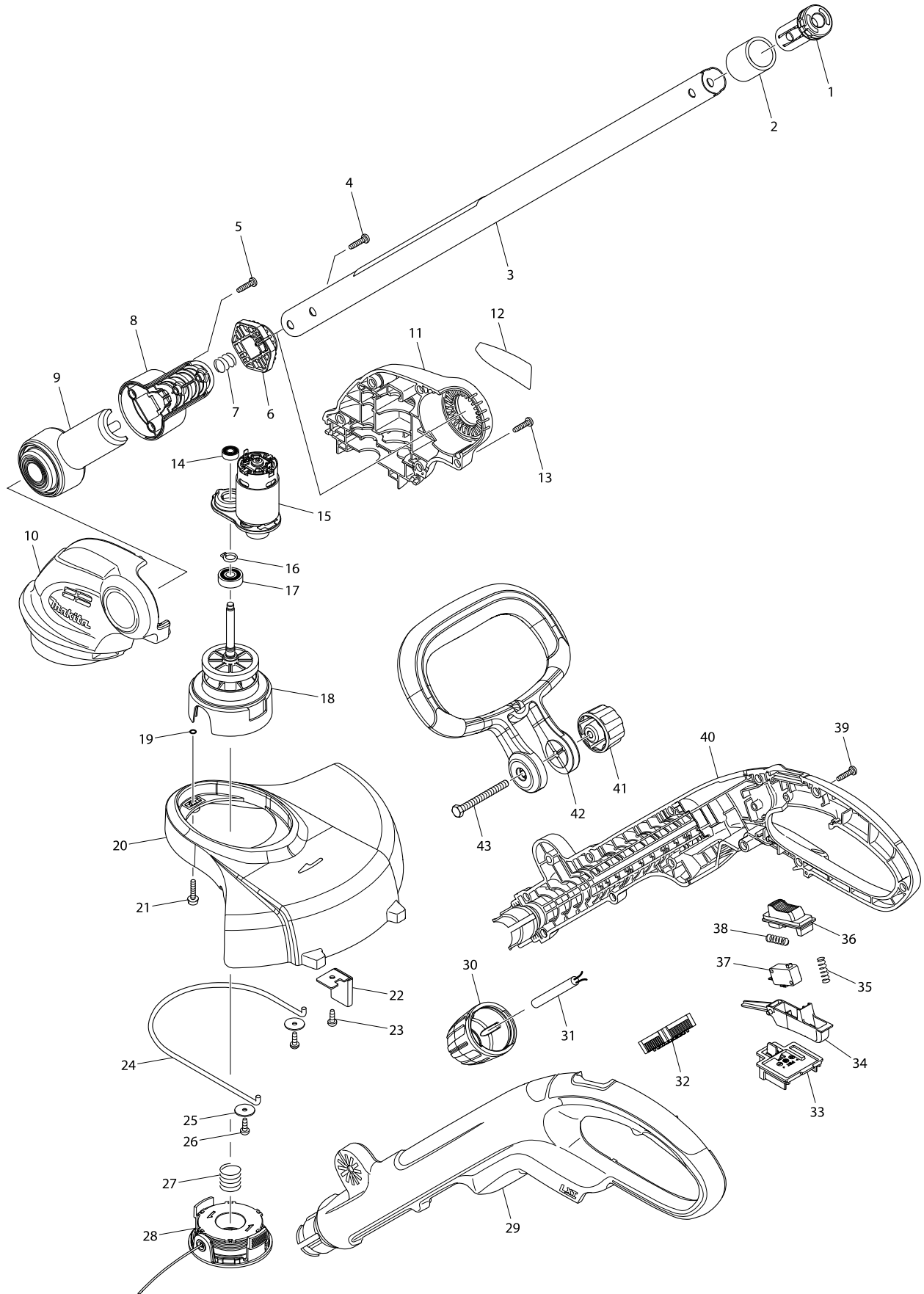




**XRU02**



Products with multiple versions are listed in subsiding order with the newest version on top not indented.

Section	Fig. No.	Part No.	Description	XRU02	Tech Bulletin	Notes
1	1	453357-2	PIPE CAP	1		
1	2	422089-2	RUBBER SLEEVE 25	1		
1	3	142740-5	PIPE25 COMPLETE	1		
1	4	265995-6	TAPPING SCREW 4X18	2		
1	5	265995-6	TAPPING SCREW 4X18	2		
1	6	451896-6	LOCK OFF BUTTON B	1		
1	7	231113-8	COMPRESSION SPRING 12	1		
1	8	188870-8	PIPE HOLDER SET	1		Includes #9
1	9	188870-8	PIPE HOLDER SET	1		Includes #8
1	10	187413-3	MOTOR HOUSING SET	1		Includes 263002-9, 263005-3, 931102-0 & #11
1		263002-9	RUBBER PIN 4	2		Not pictured
1		263005-3	RUBBER PIN 6	2		Not pictured
1		931102-0	HEX. NUT M4	2		Not pictured
1	11	187413-3	MOTOR HOUSING SET	1		Includes 263002-9, 263005-3, 931102-0 & #10
1		263002-9	RUBBER PIN 4	2		Not pictured
1		263005-3	RUBBER PIN 6	2		Not pictured
1		931102-0	HEX. NUT M4	2		Not pictured
1	13	265995-6	TAPPING SCREW 4X18	5		
1	14	210026-6	BALL BEARING 696ZZ	1		
1	14	210006-2	BALL BEARING 696ZZ	1		
1	15	629932-8	DC MOTOR	1		
1	16	961004-6	RETAINING RING S-8	1		
1	17	211031-6	BALL BEARING 608ZZ	1		
1	17	211032-4	BALL BEARING 608ZZ	1		
1	18	141338-5	GEAR SHAFT COMPLETE	1		Includes 227283-9, 266744-4, 326159-8, 453360-3
1		227283-9	SPUR GEAR 48	1		
1		266744-4	+ PAN HEAD SCREW M4X8	1		
1		326159-8	GEAR SHAFT	1		
1		453360-3	SPOOL HOLDER	1		
1	19	213023-1	O RING 4	2		
1	20	453353-0	SAFETY COVER	1		
1	21	911139-3	PAN HEAD SCREW M4X20 WG	2		
1	22	123169-4	CORD CUTTER ASSEMBLY	1		
1	23	266020-6	TAPPING SCREW 4X12	1		

Products with multiple versions are listed in subsiding order with the newest version on top not indented.

Section	Fig. No.	Part No.	Description	XRU02	Tech Bulletin	Notes
1	24	326128-9	WIRE GUARD	1		
1	25	267071-2	FLAT WASHER 4	2		
1	26	266020-6	TAPPING SCREW 4X12	2		
1	27	231352-0	COMPRESSION SPRING 17	1		
1	28	195858-1	SPOOL SET	1		
1	29	187416-7	HANDLE SET	1		Includes 263005-3, #40
1		263005-3	RUBBER PIN 6	2		Not pictured
1	30	453344-1	LOCK SLEEVE	1		
1	31	699058-0	POWER SUPPLY CORD UNIT	1		
1	32	620112-9	CONTROLLER	1		
1	33	643852-2	TERMINAL	1		
1	34	453338-6	SWITCH LEVER	1		
1	35	233068-3	COMPRESSION SPRING 6	1		
1	36	453339-4	LOCK OFF LEVER	1		
1	37	651891-8	SWITCH V-15-3A6	1		
1	38	233068-3	COMPRESSION SPRING 6	1		
1	39	265995-6	TAPPING SCREW 4X18	11		
1	40	187416-7	HANDLE SET	1		Includes 263005-3, #29
1		263005-3	RUBBER PIN 6	2		Not pictured
1	41	264072-1	THUMB NUT M6	1		
1	42	453340-9	FRONT GRIP	1		
1	43	921382-6	HEX. BOLT M6X60	1		
1	A01	125516-5	BAND ASSEMBLY	1		
1	A03	195864-6	NYLON CORD 1.65-15M SET	1		