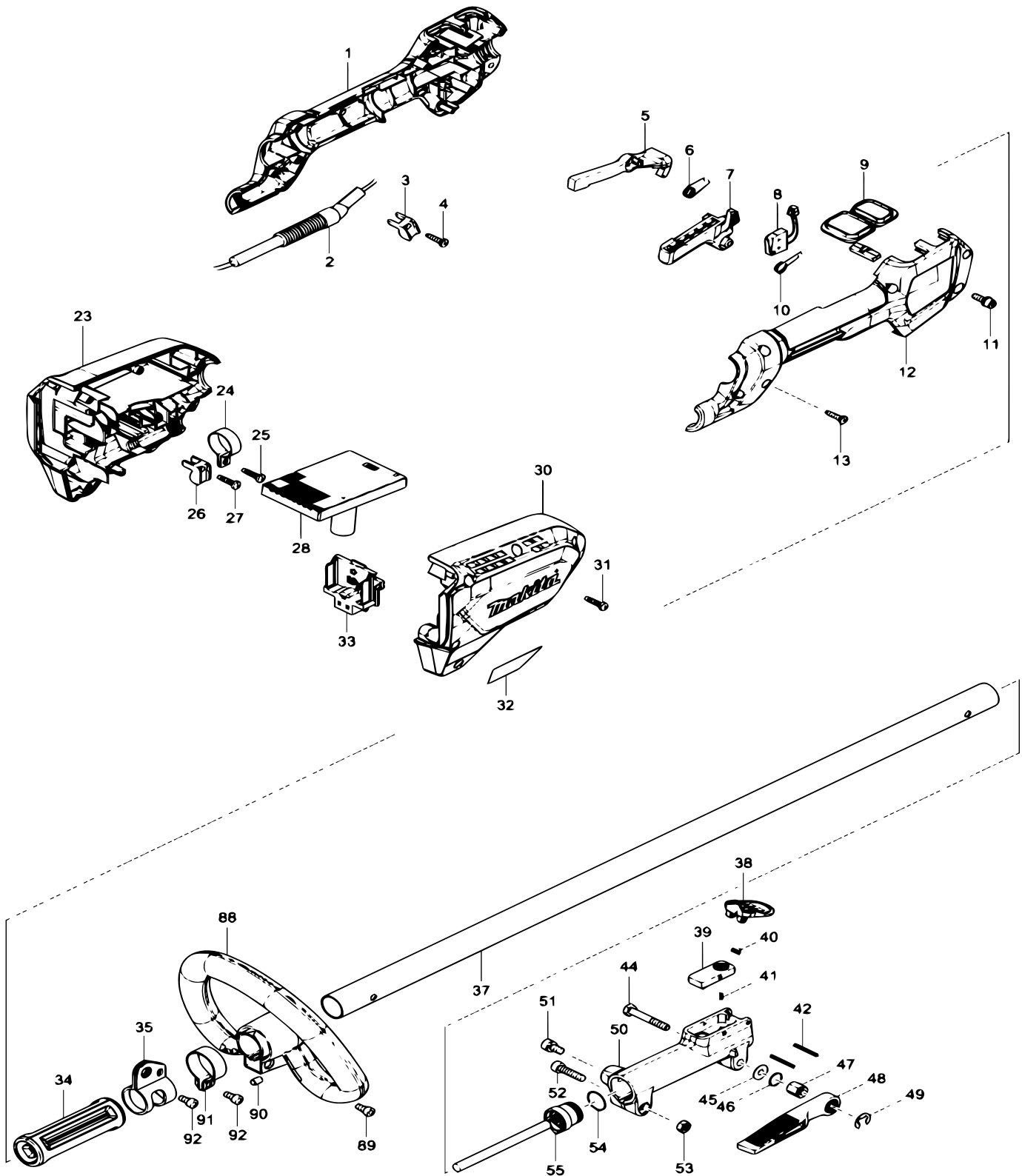




XRU12

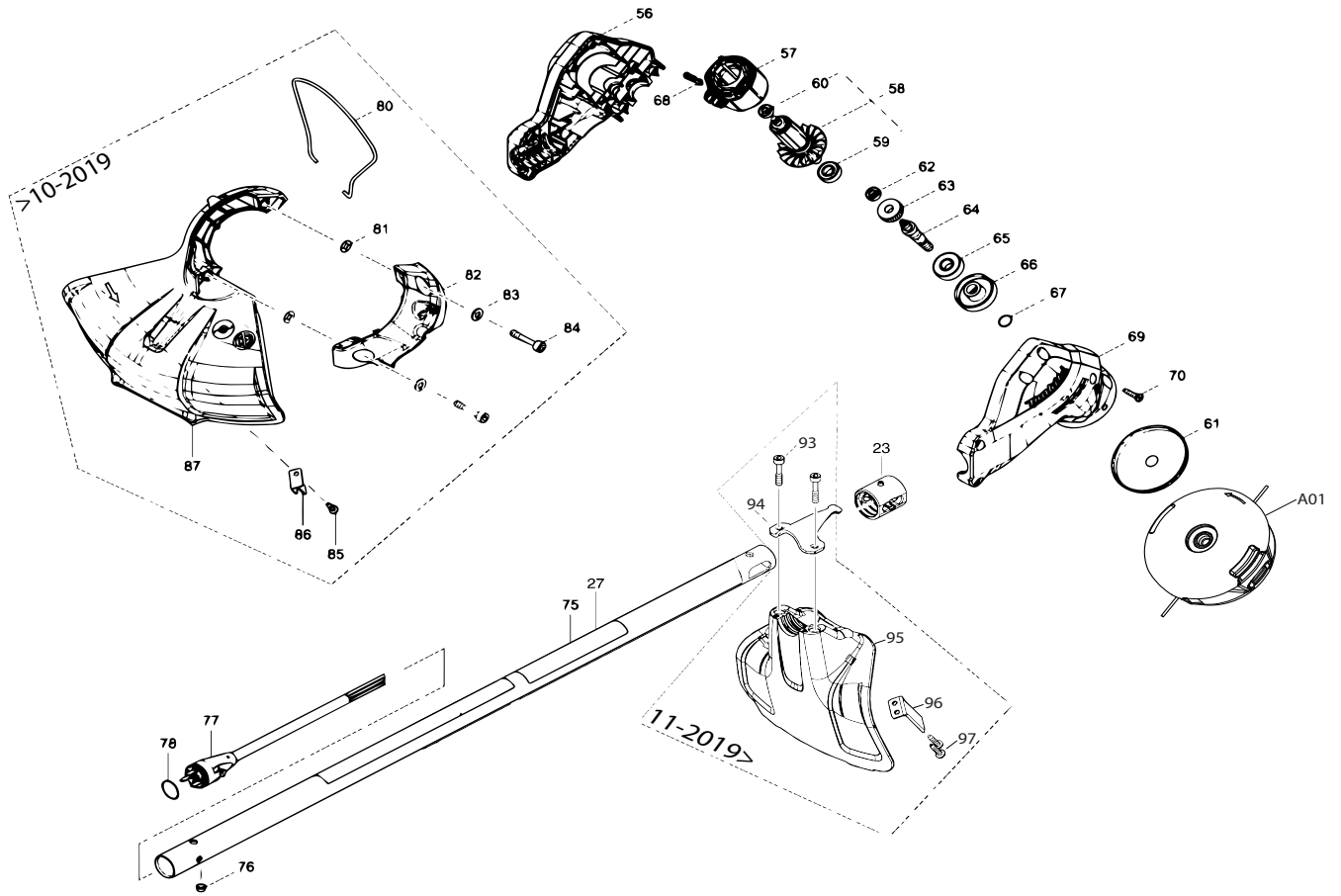


Products with multiple versions are listed in subsiding order with the newest version on top not indented.

| Section | Fig. No. | Part No. | Description | XRU12 | Tech Bulletin | Notes |
|---------|----------|----------|--------------------------|-------|---------------|---------|
| 1 | 1 | 183A19-1 | GRIP SET | 1 | | INC. 12 |
| 1 | 2 | 699085-7 | POWER SUPPLY CORD UNIT | 1 | | |
| 1 | 3 | 687260-7 | STRAIN RELIEF | 1 | | |
| 1 | 4 | 266326-2 | TAPPING SCREW 4X18 | 1 | | |
| 1 | 5 | 455629-1 | LOCK OFF LEVER | 1 | | |
| 1 | 6 | 233621-5 | TORSION SPRING 9 | 1 | | |
| 1 | 7 | 455625-9 | SWITCH LEVER | 1 | | |
| 1 | 8 | 632E26-0 | SWITCH UNIT | 1 | | |
| 1 | 9 | 144371-6 | SUB CONTROLLER COMPLETE | 1 | | |
| 1 | 10 | 233612-6 | TORSION SPRING 10 | 1 | | |
| 1 | 11 | 922228-9 | H.S.H.BOLT M5X18 WITH WR | 1 | | |
| 1 | 12 | 183A19-1 | GRIP SET | 1 | | INC. 1 |
| 1 | 13 | 266326-2 | TAPPING SCREW 4X18 | 6 | | |
| 1 | 23 | 183F35-3 | HOUSING SET | 1 | | INC. 30 |
| 1 | 24 | 346248-3 | CLAMP 24 | 1 | | |
| 1 | 25 | 266326-2 | TAPPING SCREW 4X18 | 1 | | |
| 1 | 26 | 687260-7 | STRAIN RELIEF | 1 | | |
| 1 | 27 | 266326-2 | TAPPING SCREW 4X18 | 1 | | |
| 1 | 28 | 620642-0 | CONTROLLER | 1 | | |
| 1 | 30 | 183F35-3 | HOUSING SET | 1 | | INC. 23 |
| 1 | 31 | 266326-2 | TAPPING SCREW 4X18 | 6 | | |
| 1 | 33 | 644809-6 | TERMINAL | 1 | | |
| 1 | 34 | 451601-1 | SPACER 24 | 1 | | |
| 1 | 35 | 347116-3 | HANGER | 1 | | |
| 1 | 37 | 326925-3 | PIPE B | 1 | | |
| 1 | 38 | 454304-6 | JOINT COVER | 1 | | |
| 1 | 39 | 454303-8 | LOCK LEVER | 1 | | |
| 1 | 40 | 233604-5 | TORSION SPRING 3 | 1 | | |
| 1 | 41 | 233211-4 | COMPRESSION SPRING 2 | 1 | | |
| 1 | 42 | 258010-3 | SPRING PIN 2.5-25 | 2 | | |
| 1 | 44 | 265596-0 | HEX.BOLT M6X40 | 1 | | |
| 1 | 45 | 253332-6 | THIN WASHER 6 | 1 | | |
| 1 | 46 | 213105-9 | O RING 11 | 1 | | |
| 1 | 47 | 252159-1 | HEX. NUT M6 | 1 | | |

Products with multiple versions are listed in subsiding order with the newest version on top not indented.

| Section | Fig. No. | Part No. | Description | XRU12 | Tech Bulletin | Notes |
|---------|----------|----------|-----------------------------|-------|---------------|-------|
| 1 | 48 | 272268-0 | LEVER 94 | 1 | | |
| 1 | 49 | 961014-3 | STOP RING E-8 | 1 | | |
| 1 | 50 | 319531-1 | JOINT 24 B | 1 | | |
| 1 | 51 | 922311-2 | HEX. SOCKET HEAD BOLT | 1 | | |
| 1 | 52 | 922342-1 | HEX. SOCKET HEAD BOLT | 1 | | |
| 1 | 53 | 931302-2 | HEX. NUT M6 | 1 | | |
| 1 | 54 | 213275-4 | O RING 18 | 1 | | |
| 1 | 55 | 699087-3 | POWER SUPPLY CORD UNIT | 1 | | |
| 1 | 88 | 457937-6 | LOOP HANDLE 24 | 1 | | |
| 1 | 89 | 922212-4 | HEX. SOCKET HEAD BOLT M5X12 | 1 | | |
| 1 | 90 | 263005-3 | RUBBER PIN 6 | 1 | | |
| 1 | 91 | 347011-7 | PIPE CLAMP 29 | 1 | | |
| 1 | 92 | 922212-4 | HEX. SOCKET HEAD BOLT | 1 | | |



Products with multiple versions are listed in subsiding order with the newest version on top not indented.

| Section | Fig. No. | Part No. | Description | XRU12 | Tech Bulletin | Notes |
|---------|----------|----------|----------------------------|-------|---------------|------------|
| 2 | 56 | 183F18-3 | MOTOR HOUSING SET | 1 | | INC. 69 |
| 2 | 57 | 629248-1 | STATOR | 1 | | |
| 2 | 58 | 519429-4 | ROTOR ASS'Y | 1 | | INC. 59,60 |
| 2 | 59 | 210051-7 | BALL BEARING 609ZZ | 1 | | |
| 2 | 59 | 210049-4 | BALL BEARING 609ZZ | 1 | | |
| 2 | 60 | 211157-4 | BALL BEARING 695ZZ | 1 | | |
| 2 | 61 | 346857-8 | GUARD | 1 | | |
| 2 | 62 | 211157-4 | BALL BEARING 695ZZ | 1 | | |
| 2 | 63 | 221492-2 | HELICAL GEAR 26 | 1 | | |
| 2 | 64 | 326924-5 | CUTTER SHAFT | 1 | | |
| 2 | 65 | 210059-1 | BALL BEARING 6000DDW | 1 | | |
| 2 | 66 | 144512-4 | RECEIVE WASHER COMPLETE | 1 | | INC. 67 |
| 2 | 67 | 213055-8 | O RING 10 | 1 | | |
| 2 | 68 | 652069-6 | FLAT HEAD SCREW M3X6 | 3 | | |
| 2 | 69 | 183F18-3 | MOTOR HOUSING SET | 1 | | INC. 56 |
| 2 | 70 | 266326-2 | TAPPING SCREW 4X18 | 8 | | |
| 2 | 71 | 424567-8 | RUBBER SLEEVE 24 | 1 | | |
| 2 | 75 | 144413-6 | PIPE COMPLETE B | 1 | | |
| 2 | 76 | 326880-9 | STOPPER PIN B | 1 | | |
| 2 | 77 | 699088-1 | POWER SUPPLY CORD UNIT | 1 | | |
| 2 | 78 | 213275-4 | O RING 18 | 1 | | |
| 2 | 80 | 326348-5 | WIRE GUARD | 1 | | >Oct 2019 |
| 2 | 81 | 413143-3 | WASHER | 2 | | >Oct 2019 |
| 2 | 82 | 454641-8 | PROTECTOR HOLDER | 1 | | >Oct 2019 |
| 2 | 83 | 253428-3 | SPRING WASHER 6 | 2 | | >Oct 2019 |
| 2 | 83 | 942151-2 | SPRING WASHER 6 | 2 | | >Oct 2019 |
| 2 | 84 | 266579-3 | HEX SOCKET HEAD BOLT M6X30 | 2 | | >Oct 2019 |
| 2 | 85 | 266427-6 | TAPPING SCREW 4X12 | 2 | B7193 | >Oct 2019 |
| 2 | 86 | 346725-5 | CUTTER | 1 | B7193 | >Oct 2019 |
| 2 | 87 | 457324-9 | PROTECTOR | 1 | B7193 | >Oct 2019 |
| 2 | 93 | 251513-6 | HSH BOLT M5X25 | 2 | | Nov 2019> |
| 2 | 94 | 347734-7 | PROTECTOR CLAMP | 1 | | Nov 2019> |

Products with multiple versions are listed in subsiding order with the newest version on top not indented.

| Section | Fig. No. | Part No. | Description | XRU12 | Tech Bulletin | Notes |
|---------|----------|----------|-------------------------|-------|---------------|--------------|
| 2 | 95 | 412580-5 | PROTECTOR N 330 | 1 | | Nov 2019> |
| 2 | 96 | 346855-2 | CUTTER | 1 | | Nov 2019> |
| 2 | 97 | 266326-2 | TAPPING SCREW 4X18 | 2 | | Nov 2019> |
| 2 | A01 | 198386-5 | TRIMMER HEAD 95-M8L SET | 1 | Y07610 | |
| 2 | A06 | 125516-5 | BAND ASSEMBLY | 1 | | NOT PICTURED |