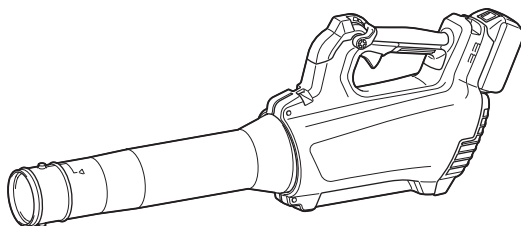


**INSTRUCTION MANUAL
MANUAL DE INSTRUCCIONES**



Cordless Blower Sopladora Inalámbrica

XBU03



IMPORTANT: Read Before Using.

IMPORTANTE: Lea antes de usar.

SPECIFICATIONS

Model:		XBU03
Capacities	Air volume	0 - 13.0 m ³ /min (0 - 459 cu.ft./min)
	Air speed (average)	0 - 43.2 m/s (0 - 96 MPH)
	Air speed (max.)	0 - 52.1 m/s (0 - 116 MPH)
Overall length (with front nozzle)		825 mm (32-1/2")
Rated voltage		D.C. 18 V
Net weight		2.5 - 3.0 kg (5.4 - 6.7 lbs)

- Due to our continuing program of research and development, the specifications herein are subject to change without notice.
- Specifications may differ from country to country.
- The weight may differ depending on the attachment(s), including the battery cartridge. The lightest and heaviest combination, according to EPTA-Procedure 01/2014, are shown in the table.

Applicable battery cartridge, battery adapter and charger

Battery cartridge	BL1815N / BL1820B / BL1830 / BL1830B / BL1840B / BL1850B / BL1860B
Battery adapter	PDC01
Charger	DC18RC / DC18RD / DC18RE / DC18SD / DC18SE / DC18SF

- Some of the battery cartridges, battery adapters and chargers listed above may not be available depending on your region of residence.
- Before using battery adapter, read instruction and cautionary markings on the battery adapter.

⚠WARNING: Only use the battery cartridges, battery adapters and chargers listed above. Use of any other battery cartridges, battery adapters and chargers may cause injury and/or fire.

SAFETY WARNINGS

IMPORTANT SAFETY INSTRUCTIONS

When using an electrical appliance, basic precautions should always be followed, including the following:

READ ALL INSTRUCTIONS BEFORE USING THIS APPLIANCE. WARNING - To reduce the risk of fire, electric shock, or injury:

1. Do not leave appliance when battery fitted. Remove battery from appliance when not in use and before servicing.
2. Do not expose to rain. Store indoors.
3. Do not allow to be used as a toy. Close attention is necessary when used by or near children.

4. Use only as described in this manual. Use only manufacturer's recommended attachments.
5. Do not use with damaged battery. If appliance is not working as it should, has been dropped, damaged, left outdoors, or dropped into water, return it to a service center.
6. Do not put any object into openings. Do not use with any opening blocked; keep free of dust, lint, hair, and anything that may reduce air flow.
7. Keep hair, loose clothing, fingers, and all parts of body away from openings and moving parts.
8. Use extra care when cleaning on stairs.
9. Use only the charger supplied by the manufacturer to recharge.

SAVE THESE INSTRUCTIONS.

This appliance is intended for household use.

Cordless Blower Safety Instructions

Preparation

1. Always wear substantial footwear and long trousers while operating the blower.
2. Do not wear loose clothing or jewellery that can be drawn into the air inlet. Keep long hair away from the air inlets.

3. **Always use protective goggles, a cap and mask when using the blower.** Ordinary eye or sun glasses are NOT safety glasses.
4. **To prevent dust irritation the wearing of a face mask is recommended.**
5. **While operating the machine, always wear non-slip and protective footwear.** Non-skid, closed-toed safety boots and shoes will reduce the risk of injury.

Operation

1. **Never operate the blower while people, especially children, or pets are nearby.**
2. **Switch off the blower and remove the battery cartridge and make sure that all moving parts have come to a complete stop**
 - whenever you leave the blower.
 - before clearing blockages.
 - before checking, cleaning or working on the blower.
 - if the blower starts to vibrate abnormally.
3. **Operate the blower only in daylight or in good artificial light.**
4. **Do not overreach and keep proper balance and footing at all times.**
5. **Never blow debris in the direction of bystanders.**
6. **Operate the blower in a recommended position and on a firm surface.**
7. **Do not operate the blower at high places.**
8. **Never point the nozzle at anyone in the vicinity when using the blower.**
9. **Never block suction inlet and/or blower outlet.**
 - Be careful not to block suction inlet or blower outlet with dust or dirt when operating in dusty area.
 - Do not use nozzles other than the nozzles provided by Makita.
 - Do not use the blower to inflate balls, rubber boat or the similar.
10. **Do not operate the blower near open window, etc.**
11. **Operating the blower only at reasonable hours is recommended - not early in the morning or late at night when people might be disturbed.**
12. **Using rakes and brooms to loosen debris before blowing is recommended.**
13. **If the blower strikes any foreign objects or should start making any unusual noise or vibration, immediately switch off the blower to stop it. Remove the battery cartridge from the blower and inspect the blower for damage before restarting and operating the blower. If the blower is damaged, ask Makita Authorized Service Centers for repair.**
14. **Do not insert fingers or other objects into suction inlet or blower outlet.**
15. **Prevent unintentional starting. Ensure the switch is in the off-position before inserting battery cartridge, picking up or carrying the blower. Carrying the blower with your finger on the switch or energizing the blower that has the switch on invites accidents.**
16. **Never blow dangerous materials, such as nails, fragments of glass, or blades.**

17. **Do not operate the blower near flammable materials.**
18. **Avoid operating the blower for a long time in low temperature environment.**

Maintenance and storage

1. **Keep all nuts, bolts and screws tight to be sure the blower is in safe working condition.**
2. **If the parts are worn or damaged, replace them with parts provided by Makita.**
3. **Store the blower in a dry place out of the reach of children.**
4. **When you stop the blower for inspection, servicing, storage, or changing accessory, switch off the blower and make sure that all moving parts come to a complete stop, and remove the battery cartridge. Cool down the blower before making any work on the blower. Maintain the blower with care and keep it clean.**
5. **Always cool down the blower before storing.**
6. **When you lift the blower, be sure to bend your knees and be careful not to hurt your back.**

Battery tool use and care

1. **Prevent unintentional starting. Ensure the switch is in the off-position before connecting to battery pack, picking up or carrying the machine.** Carrying the machine with your finger on the switch or energizing machine that have the switch on invites accidents.
2. **Disconnect the battery pack from the machine before making any adjustments, changing accessories, or storing machine.** Such preventive safety measures reduce the risk of starting the machine accidentally.
3. **Recharge only with the charger specified by the manufacturer.** A charger that is suitable for one type of battery pack may create a risk of fire when used with another battery pack.
4. **Use machines only with specifically designated battery packs.** Use of any other battery packs may create a risk of injury and fire.
5. **When battery pack is not in use, keep it away from other metal objects, like paper clips, coins, keys, nails, screws or other small metal objects, that can make a connection from one terminal to another.** Shorting the battery terminals together may cause burns or a fire.
6. **Under abusive conditions, liquid may be ejected from the battery; avoid contact. If contact accidentally occurs, flush with water. If liquid contacts eyes, seek medical help.** Liquid ejected from the battery may cause irritation or burns.
7. **Do not use a battery pack or machine that is damaged or modified. Damaged or modified batteries may exhibit unpredictable behaviour resulting in fire, explosion or risk of injury.**
8. **Do not expose a battery pack or machine to fire or excessive temperature. Exposure to fire or temperature above 130°C (265°F) may cause explosion.**
9. **Follow all charging instructions and do not charge the battery pack or machine outside of the temperature range specified in the instructions.** Charging improperly or at temperatures outside of the specified range may damage the battery and increase the risk of fire.

10. **Have servicing performed by a qualified repair person using only identical replacement parts.** This will ensure that the safety of the product is maintained.
11. **Do not modify or attempt to repair the machine or the battery pack except as indicated in the instructions for use and care.**

Electrical and battery safety

1. **Do not dispose of the battery(ies) in a fire.** The cell may explode. Check with local codes for possible special disposal instructions.
2. **Do not open or mutilate the battery(ies).** Released electrolyte is corrosive and may cause damage to the eyes or skin. It may be toxic if swallowed.
3. **Do not charge battery in rain, or in wet locations.**
4. **Do not charge the battery outdoors.**
5. **Do not handle charger, including charger plug, and charger terminals with wet hands.**

Service

1. **Have your power tool serviced by a qualified repair person using only identical replacement parts.** This will ensure that the safety of the power tool is maintained.
2. **Never service damaged battery packs.** Service of battery packs should only be performed by the manufacturer or authorized service providers.

SAVE THESE INSTRUCTIONS.

⚠WARNING: DO NOT let comfort or familiarity with product (gained from repeated use) replace strict adherence to safety rules for the subject product.

MISUSE or failure to follow the safety rules stated in this instruction manual may cause serious personal injury.

⚠WARNING: Use of this product can create dust containing chemicals which may cause respiratory or other illnesses. Some examples of these chemicals are compounds found in pesticides, insecticides, fertilizers and herbicides.

Your risk from these exposures varies, depending on how often you do this type of work. To reduce your exposure to these chemicals: work in a well ventilated area, and work with approved safety equipment, such as those dust masks that are specially designed to filter out microscopic particles.

Symbols

The followings show the symbols used for tool.

V	volts
— — —	direct current

Important safety instructions for battery cartridge

1. **Before using battery cartridge, read all instructions and cautionary markings on (1) battery charger, (2) battery, and (3) product using battery.**
2. **Do not disassemble battery cartridge.**
3. **If operating time has become excessively shorter, stop operating immediately. It may result in a risk of overheating, possible burns and even an explosion.**
4. **If electrolyte gets into your eyes, rinse them out with clear water and seek medical attention right away. It may result in loss of your eyesight.**
5. **Do not short the battery cartridge:**
 - (1) **Do not touch the terminals with any conductive material.**
 - (2) **Avoid storing battery cartridge in a container with other metal objects such as nails, coins, etc.**
 - (3) **Do not expose battery cartridge to water or rain.**

A battery short can cause a large current flow, overheating, possible burns and even a breakdown.

6. **Do not store the tool and battery cartridge in locations where the temperature may reach or exceed 50 °C (122 °F).**
7. **Do not incinerate the battery cartridge even if it is severely damaged or is completely worn out. The battery cartridge can explode in a fire.**
8. **Be careful not to drop or strike battery.**
9. **Do not use a damaged battery.**
10. **The contained lithium-ion batteries are subject to the Dangerous Goods Legislation requirements.** For commercial transports e.g. by third parties, forwarding agents, special requirement on packaging and labeling must be observed. For preparation of the item being shipped, consulting an expert for hazardous material is required. Please also observe possibly more detailed national regulations. Tape or mask off open contacts and pack up the battery in such a manner that it cannot move around in the packaging.
11. **When disposing the battery cartridge, remove it from the tool and dispose of it in a safe place. Follow your local regulations relating to disposal of battery.**
12. **Use the batteries only with the products specified by Makita.** Installing the batteries to non-compliant products may result in a fire, excessive heat, explosion, or leak of electrolyte.
13. **If the tool is not used for a long period of time, the battery must be removed from the tool.**

SAVE THESE INSTRUCTIONS.

⚠CAUTION: Only use genuine Makita batteries. Use of non-genuine Makita batteries, or batteries that have been altered, may result in the battery bursting causing fires, personal injury and damage. It will also void the Makita warranty for the Makita tool and charger.

Tips for maintaining maximum battery life

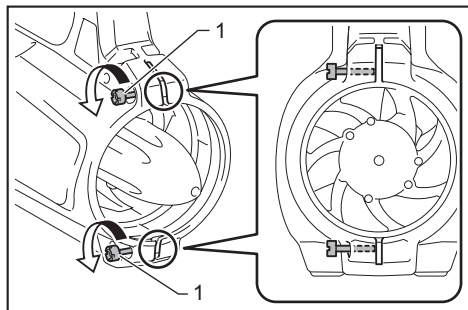
1. Charge the battery cartridge before completely discharged. Always stop tool operation and charge the battery cartridge when you notice less tool power.
2. Never recharge a fully charged battery cartridge. Overcharging shortens the battery service life.
3. Charge the battery cartridge with room temperature at 10 °C - 40 °C (50 °F - 104 °F). Let a hot battery cartridge cool down before charging it.
4. Charge the battery cartridge if you do not use it for a long period (more than six months).

ASSEMBLY

CAUTION: Always be sure that the machine is switched off and the battery cartridge is removed before carrying out any work on the machine.

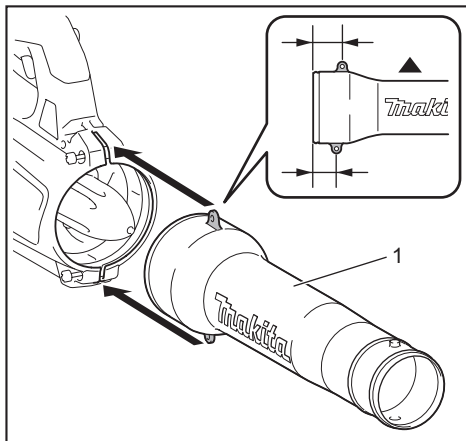
Installing the front nozzle

1. Loosen 2 screws with the hex wrench, and then pull the screws all the way.



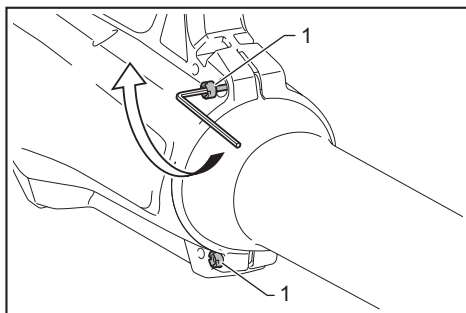
► 1. Screw

2. Make sure that the Makita logo on the front nozzle is facing the direction shown in the figure, and then attach the front nozzle to the machine.



► 1. Front nozzle

3. Tighten the screws with the hex wrench.

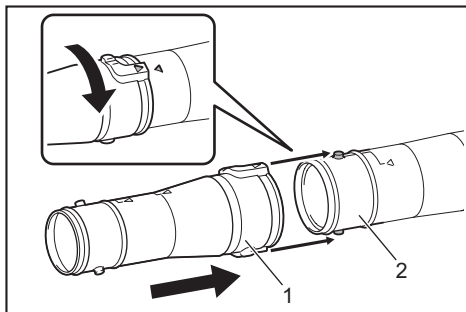


► 1. Screw

Installing the flat nozzle or extension nozzle

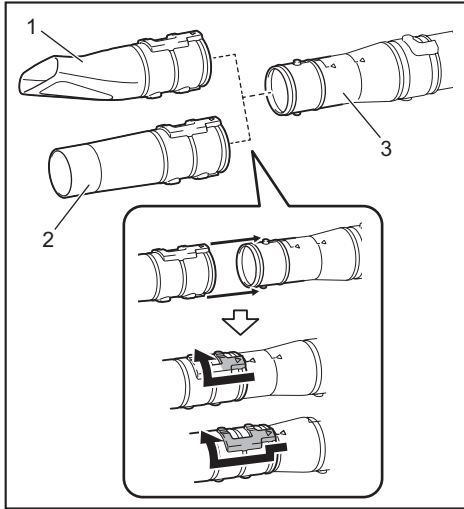
Optional accessory

1. Attach the adapter pipe to the front nozzle, and then turn it clockwise to lock it into place.



► 1. Adapter pipe 2. Front nozzle

2. Attach the flat nozzle or extension nozzle to the adapter pipe, and then turn it to lock it into place.



- 1. Flat nozzle 2. Extension nozzle 3. Adapter pipe

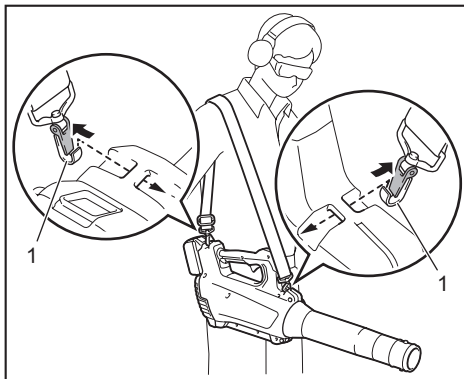
Attaching the shoulder strap

Optional accessory

CAUTION: Be sure to attach the hooks of the shoulder strap to the machine securely. If the hooks are attached incompletely, they may come off and cause an injury.

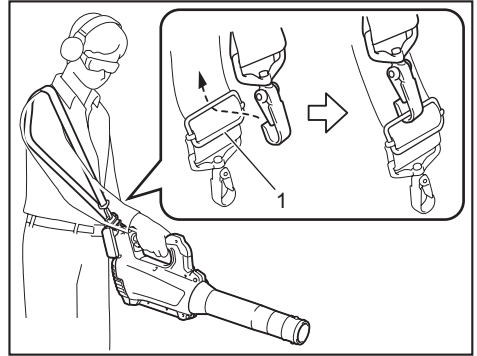
CAUTION: Be sure to use the shoulder strap dedicated to this machine. Using other shoulder strap may cause an injury.

Attach the hooks of the shoulder strap to the machine as shown in the figure.



- 1. Hook

You can also attach the shoulder strap to the machine as shown in the figure by attaching one end of the shoulder strap to the buckle of the shoulder strap.



- 1. Buckle

FUNCTIONAL DESCRIPTION

CAUTION: Always be sure that the machine is switched off and the battery cartridge is removed before adjusting or checking function on the machine.

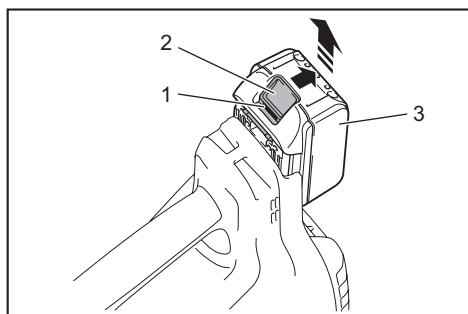
Installing or removing battery cartridge

CAUTION: Always switch off the machine before installing or removing of the battery cartridge.

CAUTION: Hold the machine and the battery cartridge firmly when installing or removing battery cartridge. Failure to hold the machine and the battery cartridge firmly may cause them to slip off your hands and result in damage to the machine and battery cartridge and a personal injury.

CAUTION: Always install the battery cartridge fully until the red indicator cannot be seen. If not, it may accidentally fall out of the machine, causing injury to you or someone around you.

CAUTION: Do not install the battery cartridge forcibly. If the cartridge does not slide in easily, it is not being inserted correctly.



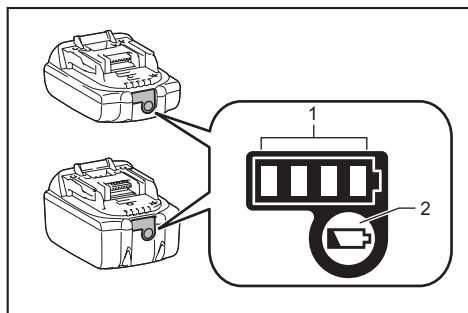
► 1. Red indicator 2. Button 3. Battery cartridge

To remove the battery cartridge, slide it from the machine while sliding the button on the front of the cartridge.

To install the battery cartridge, align the tongue on the battery cartridge with the groove in the housing and slip it into place. Insert it all the way until it locks in place with a little click. If you can see the red indicator on the upper side of the button, it is not locked completely.

Indicating the remaining battery capacity

Only for battery cartridges with the indicator



► 1. Indicator lamps 2. Check button

Press the check button on the battery cartridge to indicate the remaining battery capacity. The indicator lamps light up for a few seconds.

Indicator lamps			Remaining capacity
Lighted	Off	Blinking	
■	□	▧	75% to 100%
■ ■ ■ ■	□ □ □ □	▧	
■ ■ ■	□ □ □	□	50% to 75%
■ ■	□ □ □ □	□	25% to 50%
■	□ □ □ □	□	0% to 25%
▧	□ □ □ □	□	Charge the battery.
■ ■ □ □	□ □	■ ■	The battery may have malfunctioned.
□ □	■ ■	□ □	

NOTE: Depending on the conditions of use and the ambient temperature, the indication may differ slightly from the actual capacity.

Machine/battery protection system

The machine is equipped with a machine/battery protection system. This system automatically cuts off power to the motor to extend machine and battery life. The machine will automatically stop during operation if the machine or battery is placed under one of the following conditions:

Overload protection

When the machine or battery is operated in a manner that causes it to draw an abnormally high current, the machine automatically stops without any indication. In this situation, turn the machine off and stop the application that caused the machine to become overloaded. Then turn the machine on to restart.

Overheat protection

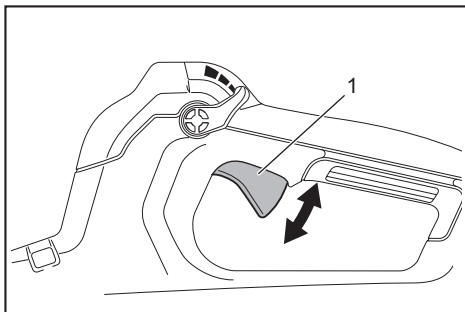
When the machine or battery is overheated, the machine stops automatically. In this case, let the machine and battery cool before turning the machine on again.

Overdischarge protection

When the battery capacity is not enough, the machine stops automatically. In this case, remove the battery from the machine and charge the battery.

Switch action

⚠ WARNING: Before installing the battery cartridge into the machine, always check to see that the switch trigger actuates properly and returns to the "OFF" position when released.

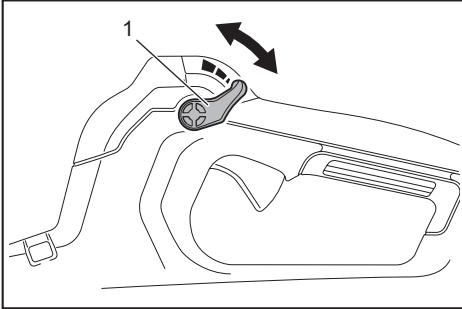


► 1. Switch trigger

To start the machine, simply pull the switch trigger. The speed increases by increasing pressure on the switch trigger. Release the switch trigger to stop.

Cruise control function

The cruise control function allows the operator to maintain a constant speed without pulling the trigger. To increase the speed, turn the control lever forward. To decrease the speed, turn the control lever backward.



► 1. Control lever

Accidental re-start preventive function

Even if you install the battery cartridge while pulling the switch trigger, the machine does not start. To start the machine, first release the switch trigger or return the control lever fully, and then pull the switch trigger.

OPERATION

CAUTION: Do not place the machine on the ground while it is switched on. Sand or dust may enter from suction inlet and cause a malfunction or personal injury.

Hold the machine firmly with a hand and perform the blowing operation by moving it around slowly. When blowing around building, big stone or vehicle, direct the nozzle away from them. When performing an operation in a corner, start from the corner and then move to wide area.



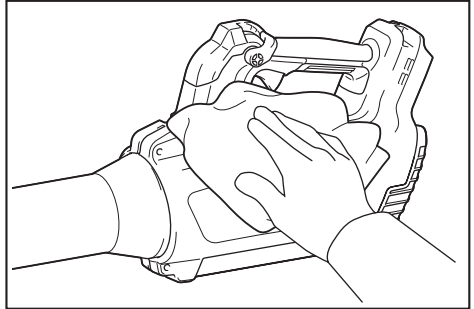
MAINTENANCE

CAUTION: Always be sure that the machine is switched off and the battery cartridge is removed before attempting to perform inspection or maintenance.

To maintain product SAFETY and RELIABILITY, repairs, any other maintenance or adjustment should be performed by Makita Authorized or Factory Service Centers, always using Makita replacement parts.

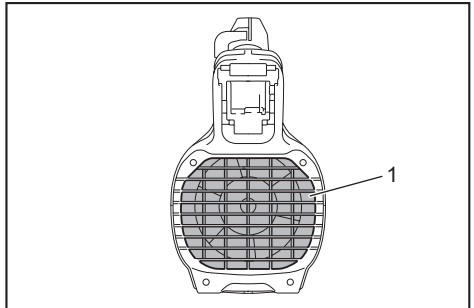
Cleaning the machine

Clean the machine by wiping off dust with a dry cloth or one dipped in soapy water and wrung out.



NOTICE: Never use gasoline, benzine, thinner, alcohol or the like. Discoloration, deformation or cracks may result.

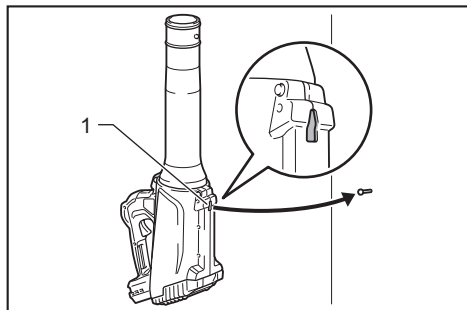
Remove dust or dirt from the suction inlet at the rear of the machine.



► 1. Suction inlet

Storage

The hook hole on the bottom of the machine is convenient for hanging the machine from a nail or screw on the wall. Store the machine in a place out of the reach of children and not exposed to moisture or rain.



► 1. Hole

TROUBLESHOOTING

Before asking for repairs, conduct your own inspection first. If you find a problem that is not explained in the manual, do not attempt to dismantle the machine. Instead, ask Makita Authorized Service Centers, always using Makita replacement parts for repairs.

State of abnormality	Probable cause (malfunction)	Remedy
Motor does not run.	Battery cartridge is not installed.	Install the battery cartridge.
	Battery problem (under voltage)	Recharge the battery. If recharging is not effective, replace battery.
	The drive system does not work correctly.	Ask your local authorized service center for repair.
Motor stops running after a little use.	Battery's charge level is low.	Recharge the battery. If recharging is not effective, replace battery.
	Overheating.	Stop using the machine to allow it to cool down.
The machine does not reach the maximum speed.	Battery is installed improperly.	Install the battery cartridge as described in this manual.
	Battery power is dropping.	Recharge the battery. If recharging is not effective, replace battery.
	The drive system does not work correctly.	Ask your local authorized service center for repair.
Abnormal vibration: ⇒ stop the machine immediately!	The drive system does not work correctly.	Ask your local authorized service center for repair.
Motor cannot stop: ⇒ Remove the battery immediately!	Electric or electronic malfunction.	Remove the battery and ask your local authorized service center for repair.

OPTIONAL ACCESSORIES

⚠ CAUTION: These accessories or attachments are recommended for use with your Makita product specified in this manual. The use of any other accessories or attachments might present a risk of injury to persons. Only use accessory or attachment for its stated purpose.

If you need any assistance for more details regarding these accessories, ask your local Makita Service Center.

- Adapter pipe
- Extension nozzle
- Flat nozzle
- Shoulder strap
- Makita genuine battery and charger

NOTE: Some items in the list may be included in the product package as standard accessories. They may differ from country to country.

MAKITA LIMITED WARRANTY

Please refer to the annexed warranty sheet for the most current warranty terms applicable to this product. If annexed warranty sheet is not available, refer to the warranty details set forth at below website for your respective country.

United States of America: www.makitatools.com

Canada: www.makita.ca

Other countries: www.makita.com

ESPECIFICACIONES

Modelo:		XBU03
Capacidades	Volumen de aire	0 m ³ /min - 13,0 m ³ /min (0 cu.ft./min - 459 cu.ft./min)
	Velocidad del aire (promedio)	0 m/s - 43,2 m/s (0 MPH - 96 MPH)
	Velocidad del aire (máx.)	0 m/s - 52,1 m/s (0 MPH - 116 MPH)
Longitud total (con boquilla delantera)		825 mm (32-1/2")
Tensión nominal		18 V c.c.
Peso neto		2,5 - 3,0 kg (5,4 - 6,7 lbs)

- Debido a nuestro continuo programa de investigación y desarrollo, las especificaciones aquí incluidas están sujetas a cambio sin previo aviso.
- Las especificaciones pueden variar de país a país.
- El peso puede variar en función de los accesorios, incluido el cartucho de batería. En la tabla se muestra la combinación de peso más ligero y más pesado conforme al procedimiento 01/2014 de EPTA.

Cartucho de batería, adaptador para batería y cargador aplicables

Cartucho de batería	BL1815N / BL1820B / BL1830 / BL1830B / BL1840B / BL1850B / BL1860B
Adaptador para batería	PDC01
Cargador	DC18RC / DC18RD / DC18RE / DC18SD / DC18SE / DC18SF

- Algunos de los cartuchos de batería, adaptadores para batería y cargadores enumerados arriba podrían no estar disponibles dependiendo de su área de residencia.
- Antes de utilizar el adaptador para batería, lea las instrucciones e indicaciones de precaución sobre el adaptador para batería.

⚠ ADVERTENCIA: Use únicamente los cartuchos de batería, adaptadores para batería y los cargadores indicados arriba. El uso de cualquier otro cartucho de batería, adaptador para batería y cargador podría ocasionar una lesión y/o un incendio.

ADVERTENCIAS DE SEGURIDAD

INSTRUCCIONES IMPORTANTES DE SEGURIDAD

Al usar cualquier aparato eléctrico, siempre deben seguirse las precauciones básicas, incluyendo las siguientes:

LEA TODAS LAS INSTRUCCIONES ANTES DE USAR EL APARATO. ADVERTENCIA: Para reducir el riesgo de incendio, descarga eléctrica o lesión:

1. No deje el aparato con la batería puesta. Retire la batería del aparato cuando no lo vaya a utilizar y antes de dar servicio de mantenimiento.

2. No lo exponga a la lluvia. Almacénelo en interiores.
3. No permita que sea utilizado como un juguete. Preste mucha atención cuando sea utilizado por niños o cerca de ellos.
4. Utilícelo solamente como se describe en este manual. Sólo use aditamentos recomendados por el fabricante.
5. No lo utilice con una batería dañada. Si el aparato no está funcionando como debiera, se ha dejado caer, se ha dañado, se ha dejado a la intemperie o ha caído sobre agua, llévelo a un centro de servicio.
6. No introduzca ningún objeto en las aberturas. No lo utilice con ninguna abertura bloqueada; manténgalo libre de polvo, pelusa, cabello y cualquier objeto que pueda reducir el flujo de aire.
7. Mantenga el cabello, la ropa holgada, los dedos y todas las partes del cuerpo lejos de las aberturas y piezas móviles.
8. Tenga especial cuidado cuando limpie en escaleras.
9. Utilice solamente el cargador suministrado por el fabricante para recargar.

GUARDE ESTAS INSTRUCCIONES.

Este aparato está diseñado para un uso doméstico.

Instrucciones de seguridad para la sopladora Inalámbrica

Preparación

1. Siempre use calzado robusto y pantalones largos al operar la sopladora.
2. No use ropa holgada o alhajas que puedan ser jaladas hacia la entrada de aire. Mantenga el cabello largo lejos de las entradas de aire.
3. Use siempre gafas protectoras, una gorra y una mascarilla cuando utilice la sopladora. Los anteojos comunes o para el sol NO son gafas de seguridad.
4. Para evitar la irritación por polvo, se recomienda el uso de una mascarilla.
5. Cuando opere la máquina use siempre calzado de protección con suela antiderrapante. Los zapatos y botas de seguridad cerrados con suela antideslizante reducen el riesgo de lesiones.

Operación

1. Nunca opere la sopladora cuando haya personas, especialmente niños, o mascotas cerca.
2. Apague la sopladora y retire el cartucho de batería y asegúrese de que todas las partes móviles se hayan detenido por completo
 - cada vez que deje la sopladora.
 - antes de despejar obstrucciones.
 - antes de revisar, limpiar o trabajar en la sopladora.
 - Si la sopladora empieza a vibrar de manera anormal.
3. Utilice la sopladora solamente a la luz del día o en buenas condiciones de iluminación artificial.
4. No use una postura forzada y mantenga el equilibrio y los pies en firme en todo momento.
5. Nunca sople escombros en dirección de las personas cercanas.
6. Utilice la sopladora en una posición recomendada y sobre una superficie firme.
7. No opere la sopladora en lugares elevados.
8. Cuando utilice la sopladora, no apunte nunca la boquilla a nadie alrededor.
9. Nunca bloquee la entrada de succión o la salida de la sopladora.
 - Tenga cuidado de no bloquear la entrada de succión o la salida de la sopladora con polvo o suciedad al operar en áreas con polvo.
 - No use boquillas que no sean las proporcionadas por Makita.
 - No utilice la sopladora para inflar pelotas, botes de caucho o similares.
10. No haga funcionar la sopladora cerca de una ventana abierta, etc.
11. Se recomienda operar la sopladora solo a horas razonables, no temprano en la mañana o tarde en la noche para no molestar a las personas.
12. Se recomienda usar rastrillos y escobas para aflojar los residuos antes de soplar.

13. Si la sopladora golpea algún objeto extraño o comienza a hacer cualquier ruido o vibración inusual, apague la sopladora inmediatamente para detenerlo. Retire el cartucho de batería de la sopladora e inspeccione la sopladora antes de volver a encenderla y ponerla en funcionamiento. Si la sopladora se daña, solicite la reparación a los centros de servicio autorizado de Makita.
14. No introduzca los dedos u otros objetos en la entrada de succión o en la salida de la sopladora.
15. Evite un arranque accidental. Asegúrese de que el interruptor esté en la posición apagada antes de insertar el cartucho de batería, levantar la sopladora o cargarla. Cargar la sopladora con su dedo en el interruptor o pasar energía a la sopladora con el interruptor encendido puede propiciar accidentes.
16. Nunca sople sobre materiales peligrosos, como clavos, fragmentos de vidrio o cuchillas.
17. No opere la sopladora cerca de materiales inflamables.
18. Evite hacer funcionar la sopladora durante mucho tiempo en ambientes de temperatura baja.

Mantenimiento y almacenamiento

1. Mantenga apretados todos los tuercas, pernos y tornillos para asegurar que la sopladora se encuentre en condiciones seguras de operación.
2. Si las piezas están desgastadas o dañadas, reemplácelas con piezas proporcionadas por Makita.
3. Guarde la sopladora en un lugar seco fuera del alcance de los niños.
4. Cuando detenga la sopladora para inspeccionarla, repararla, almacenarla o cambiarle un accesorio, apáguela y asegúrese de que todas las partes en movimiento se detengan por completo y retire el cartucho de batería. Enfríe la sopladora antes de realizar cualquier trabajo en la misma. Mantenga la sopladora con cuidado y manténgala limpia.
5. Siempre permita que la sopladora se enfríe antes de almacenarla.
6. Cuando levante la sopladora, asegúrese de doblar las rodillas y tenga cuidado de no lastimarse la espalda.

Uso y cuidado de la herramienta a batería

1. Evite una puesta en marcha accidental. Asegúrese de que el interruptor esté en la posición apagada antes de conectar el paquete de baterías, levantar la herramienta o cargarla. Cargar la herramienta con su dedo en el interruptor o pasar energía a la herramienta con el interruptor encendido puede propiciar accidentes.
2. Desconecte el paquete de baterías de la herramienta antes de hacer cualquier ajuste, cambiar accesorios o almacenar la herramienta. Estas medidas de seguridad preventivas reducen el riesgo de poner en marcha la herramienta accidentalmente.

3. **Recargue sólo con el cargador especificado por el fabricante.** Un cargador que sea adecuado para un tipo específico de paquete de batería puede generar un riesgo de incendio al usarse con un paquete de batería distinto.
4. **Use las herramientas únicamente con los paquetes de baterías designados específicamente para ellas.** El uso de otros paquetes de baterías puede generar riesgo de lesiones e incendio.
5. **Cuando no se esté usando el paquete de batería, manténgalo alejado de otros objetos metálicos, como sujetapapeles (clips), monedas, llaves, clavos, tornillos u otros objetos pequeños de metal que puedan crear una conexión entre una terminal y otra.** Causar un cortocircuito en las terminales de la batería puede provocar quemaduras o incendio.
6. **En condiciones de mal uso, podría escapar líquido de la batería; evite el contacto. Si toca el líquido accidentalmente, enjuague con agua. Si hay contacto del líquido con los ojos, solicite atención médica.** El líquido expulsado de la batería puede causar irritación o quemaduras.
7. **No utilice un paquete de baterías o una herramienta que esté dañado/dañada o haya sido modificado/modificada.** Las baterías dañadas o modificadas podrían comportarse de manera impredecible causando un incendio, explosión o riesgo de lesión.
8. **No exponga un paquete de baterías o una herramienta al fuego o a una temperatura excesiva.** La exposición al fuego a una temperatura superior a 130 °C (265 °F) podría causar una explosión.
9. **Siga todas las instrucciones relativas a la carga y no cargue el paquete de baterías o la herramienta fuera del rango de temperatura especificado en las instrucciones.** Cargar de manera inapropiada o a temperaturas fuera del rango especificado podría dañar la batería e incrementar el riesgo de incendio.
10. **Pida que el servicio lo realice un técnico en reparaciones calificado y que utilice únicamente piezas de repuesto idénticas a las originales.** Esto garantizará que se mantenga la seguridad del producto.
11. **No modifique ni intente reparar la herramienta ni el paquete de baterías salvo como se indique en las instrucciones para el uso y cuidado.**

Seguridad eléctrica y de la batería

1. **No arroje la(s) batería(s) al fuego.** La celda podría explotar. Consulte los códigos locales para ver si hay instrucciones especiales relativas al desecho.
2. **No abra ni dañe la(s) batería(s).** Los electrolitos liberados son corrosivos y pueden ocasionar daños en los ojos o la piel. Pueden ser tóxicos si se llegan a tragar.
3. **No cargue la batería bajo la lluvia ni en lugares mojados.**
4. **No cargue la batería en exteriores.**
5. **No manipule el cargador, incluida la la clavija del cargador, ni los terminales con las manos mojadas.**

Servicio

1. **Haga que una persona calificada repare la herramienta eléctrica utilizando sólo piezas de repuesto idénticas.** Esto asegura que se mantenga la seguridad de la herramienta eléctrica.
2. **Nunca dé servicio a baterías que estén dañadas.** El servicio a las baterías solamente deberá ser efectuado por el fabricante o un agente de servicio autorizado.

CONSERVE ESTAS INSTRUCCIONES.

⚠ADVERTENCIA: NO DEJE que la comodidad o familiaridad con el producto (a base de utilizarlo repetidamente) evite que siga estrictamente las normas de seguridad para dicho producto.

El USO INCORRECTO o el no seguir las normas de seguridad indicadas en este manual de instrucciones puede ocasionar lesiones graves.

⚠ADVERTENCIA: El uso de este producto puede producir polvo que contenga sustancias químicas que podrían causar enfermedades respiratorias o de otro tipo. Algunos ejemplos de estas sustancias químicas son los compuestos encontrados en pesticidas, insecticidas, fertilizantes y herbicidas.

El riesgo al que se expone varía, dependiendo de la frecuencia con la que realice este tipo de trabajo. Para reducir la exposición a estas sustancias químicas: trabaje en un área bien ventilada y use un equipo de seguridad aprobado, tal como las máscaras contra polvo que están especialmente diseñadas para filtrar partículas microscópicas.

Símbolos

A continuación se muestran los símbolos utilizados para la herramienta.

V	volts o voltios
— — —	corriente directa o continua

Instrucciones importantes de seguridad para el cartucho de batería

1. **Antes de utilizar el cartucho de batería, lea todas las instrucciones e indicaciones de precaución en el (1) el cargador de batería, (2) la batería, y (3) el producto con el que se utiliza la batería.**
2. **No desarme el cartucho de batería.**
3. **Si el tiempo de operación se ha acortado en exceso, deje de operar de inmediato.** Podría correrse el riesgo de sobrecalentamiento, posibles quemaduras e incluso explosión.
4. **En caso de que ingresen electrolitos en sus ojos, enjuáguelos bien con agua limpia y consulte de inmediato a un médico.** Esto podría ocasionar pérdida de visión.

5. Evite cortocircuitar el cartucho de batería:
 - (1) No toque las terminales con ningún material conductor.
 - (2) Evite guardar el cartucho de batería en un cajón junto con otros objetos metálicos, tales como clavos, monedas, etc.
 - (3) No exponga el cartucho de batería al agua o la lluvia.

Un cortocircuito en la batería puede causar un flujo grande de corriente, sobrecalentamiento, posibles quemaduras e incluso una descompostura.

6. No guarde la herramienta ni el cartucho de batería en lugares donde la temperatura pueda alcanzar o exceder los 50°C (122°F).
7. Nunca incinere el cartucho de batería incluso en el caso de que esté dañado seriamente o ya no sirva en absoluto. El cartucho de batería puede explotar si se tira al fuego.
8. Tenga cuidado de no dejar caer ni golpear la batería.
9. No use una batería dañada.
10. Las baterías de ión de litio están sujetas a los requisitos reglamentarios en materia de bienes peligrosos.

Para el transporte comercial, por ej., mediante terceros o agentes de transporte, se deben tomar en cuenta los requisitos especiales relativos al empaque y el etiquetado.

Para efectuar los preparativos del artículo que se va a enviar, se requiere consultar a un experto en materiales peligrosos. Si es posible, consulte además otras regulaciones nacionales más detalladas.

Pegue o cubra con cinta adhesiva los contactos abiertos y empaque la batería de manera que ésta no pueda moverse dentro del paquete.

11. Para deshacerse del cartucho de batería, sáquelo de la herramienta y deséchelo en un lugar seguro. Siga las regulaciones locales relacionadas al desecho de las baterías.
12. Utilice las baterías únicamente con los productos especificados por Makita. Instalar las baterías en productos que no cumplan con los requisitos podría ocasionar un incendio, un calentamiento excesivo, una explosión o una fuga de electrolito.
13. Si no se utiliza la herramienta por un período largo, debe extraerse la batería de la herramienta.

GUARDE ESTAS INSTRUCCIONES.

PRECAUCIÓN: Utilice únicamente baterías originales de Makita. El uso de baterías no originales de Makita, o de baterías alteradas, puede ocasionar que las baterías exploten causando un incendio, lesiones personales y daños. Asimismo, esto invalidará la garantía de Makita para la herramienta y el cargador Makita.

Consejos para alargar al máximo la vida útil de la batería

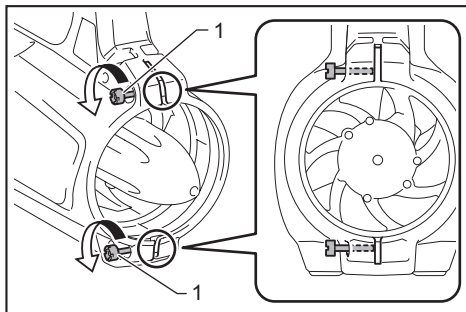
1. Cargue el cartucho de batería antes de que se descargue completamente. Pare siempre la operación y cargue el cartucho de batería cuando note menos potencia en la herramienta.
2. No cargue nunca un cartucho de batería que esté completamente cargado. La sobrecarga acortará la vida de servicio de la batería.
3. Cargue el cartucho de batería a una temperatura ambiente de 10 °C - 40 °C (50 °F - 104 °F). Si un cartucho de batería está caliente, déjelo enfriar antes de cargarlo.
4. Cargue el cartucho de batería si no va a utilizarlo durante un período prolongado (más de seis meses).

MONTAJE

PRECAUCIÓN: Asegúrese siempre de que la máquina haya sido apagada y el cartucho de batería extraído antes de realizar cualquier trabajo en la máquina.

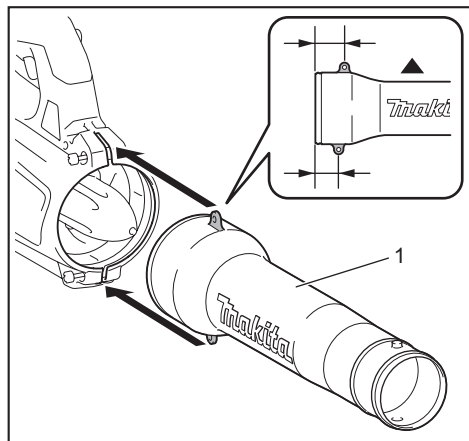
Instalación de la boquilla delantera

1. Afloje los dos tornillos con la llave hexagonal y tire de los tornillos completamente.



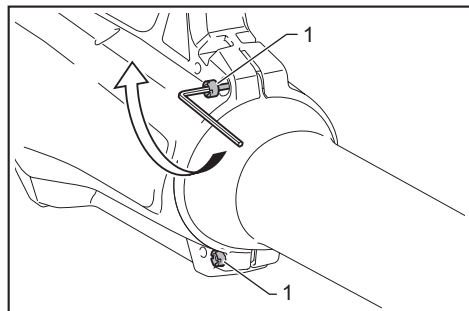
► 1. Tornillo

2. Asegúrese de que el logotipo de Makita en la boquilla delantera esté orientada en la dirección que se muestra en la figura y luego fije la boquilla delantera a la máquina.



► 1. Boquilla delantera

3. Apriete los tornillos con la llave hexagonal.

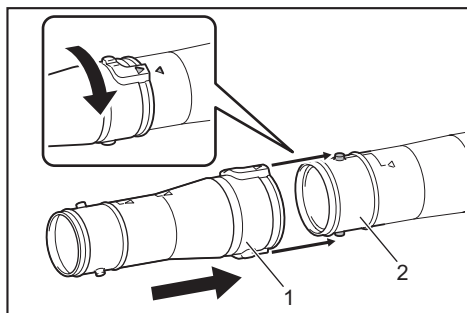


► 1. Tornillo

Instalación de la boquilla plana o boquilla de extensión

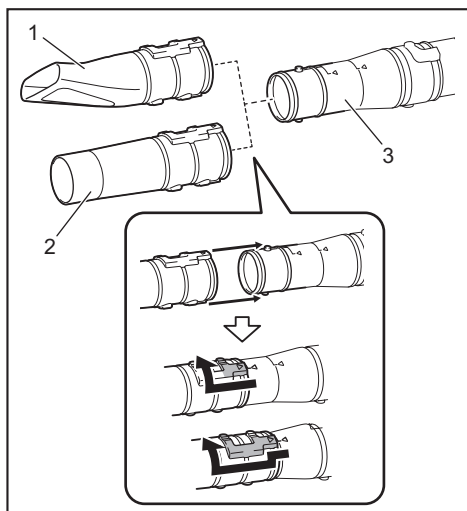
Accesorio opcional

1. Coloque el tubo adaptador en la boquilla delantera y luego gírelo en el sentido de las manecillas del reloj hasta asegurarlo en su sitio.



► 1. Tubo adaptador 2. Boquilla delantera

2. Coloque la boquilla plana o la boquilla de extensión al tubo adaptador y luego gírelo hasta asegurarlo en su sitio.



► 1. Boquilla plana 2. Boquilla de extensión 3. Tubo adaptador

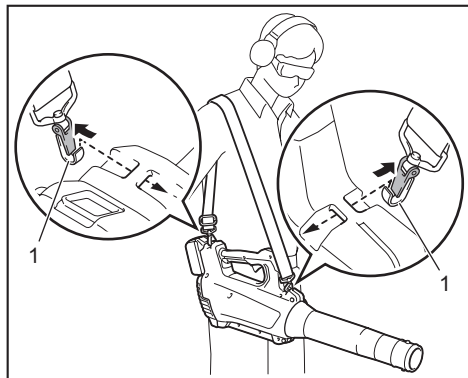
Acoplamiento de la correa para el hombro

Accesorio opcional

⚠ PRECAUCIÓN: Asegúrese de colocar bien los ganchos de la correa para el hombro en la máquina. Si los ganchos no están bien ensartados, éstos podrían salirse y ocasionar una lesión.

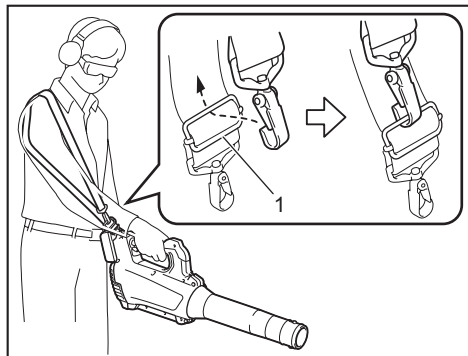
⚠ PRECAUCIÓN: Asegúrese de utilizar la correa para hombro específica para esta herramienta. El uso de otro tipo de correa para hombro puede ocasionar una lesión.

Coloque los ganchos de la correa para el hombro en la máquina tal como se muestra en la ilustración.



► 1. Gancho

También puede colocar la correa para el hombro en la máquina como se muestra en la figura, al colocar un extremo de la correa para el hombro a la hebilla de la correa para hombro.



► 1. Hebilla

DESCRIPCIÓN DEL FUNCIONAMIENTO

⚠ PRECAUCIÓN: Asegúrese siempre de que la máquina esté apagada y que el cartucho de batería haya sido extraído antes de realizar cualquier ajuste o revisión del funcionamiento de la máquina.

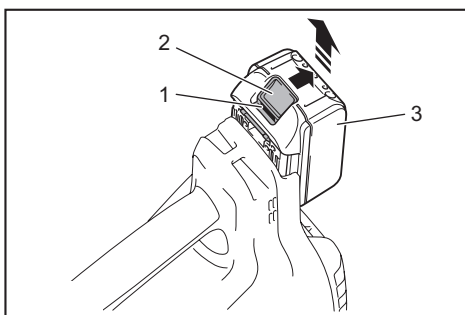
Instalación o extracción del cartucho de batería

⚠ PRECAUCIÓN: Apague siempre la máquina antes de instalar o extraer el cartucho de batería.

⚠ PRECAUCIÓN: Sujete la máquina y el cartucho de batería con firmeza al colocar o quitar el cartucho de batería. Si no se sujeta con firmeza la máquina y el cartucho de batería, puede ocasionar que se resbalen de sus manos resultando en daños a la máquina y al cartucho de batería, así como lesiones a la persona.

⚠ PRECAUCIÓN: Siempre introduzca completamente el cartucho de batería hasta que el indicador rojo no pueda verse. Si no es así, éste podría caerse de la máquina ocasionándole una lesión a usted o a alguien más a su alrededor.

⚠ PRECAUCIÓN: No instale el cartucho de batería a la fuerza. Si el cartucho no se desliza al interior fácilmente, se debe a que no está siendo insertado correctamente.



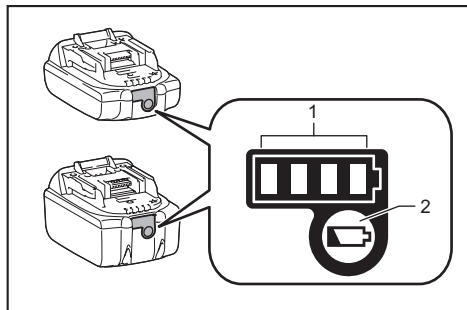
► 1. Indicador rojo 2. Botón 3. Cartucho de batería

Para quitar el cartucho de batería, deslícelo de la máquina mientras desliza el botón sobre la parte delantera del cartucho.

Para colocar el cartucho de batería, alinee la lengüeta sobre el cartucho de batería con la ranura en la carcasa y deslice en su lugar. Inserte por completo hasta que se fije en su lugar con un pequeño clic. Si puede ver el indicador rojo del lado superior del botón, esto indica que no ha quedado fijo por completo.

Indicación de la capacidad restante de la batería

Únicamente para cartuchos de batería con el indicador



► 1. Luces indicadoras 2. Botón de verificación

Oprima el botón de verificación en el cartucho de la batería para que indique la capacidad restante de la batería. Las luces indicadoras se iluminarán por algunos segundos.

Luces indicadoras			Capacidad restante
Iluminadas	Apagadas	Parpadeando	
■ ■ ■ ■	□ □ □ □	▬	75% a 100%
■ ■ ■ □	□ □ □ □	▬	50% a 75%
■ ■ □ □	□ □ □ □	▬	25% a 50%
■ □ □ □	□ □ □ □	▬	0% a 25%
▬ □ □ □	□ □ □ □	▬	Cargar la batería.
■ ■ □ □	□ □ □ □	▬	La batería pudo haber funcionado mal.
□ □ ■ ■	□ □ □ □	▬	

NOTA: Dependiendo de las condiciones de uso y la temperatura ambiente, la indicación podrá diferir ligeramente de la capacidad real.

Sistema de protección de la máquina/batería

Esta máquina está equipada con un sistema de protección de la máquina/batería. Este sistema corta automáticamente la alimentación al motor para prolongar la vida útil de la máquina y la batería. La máquina se detendrá automáticamente durante la operación si la máquina o la batería se someten a una de las siguientes condiciones:

Protección contra sobrecarga

Cuando la máquina o la batería es operada de tal manera que causa que consuma una cantidad inusualmente alta de corriente, la máquina se detiene automáticamente sin ninguna indicación previa. En esta situación, apague la máquina y detenga la aplicación que haya causado que la máquina se sobrecargara. Luego encienda la máquina para volver a arrancarla.

Protección contra sobrecalentamiento

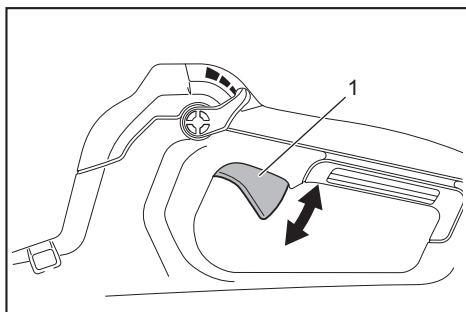
Cuando la máquina o la batería se sobrecalientan, ésta se detiene automáticamente. En este caso, permita que la máquina y la batería se enfríen antes de volver a encender la máquina.

Protección en caso de sobredescarga

Cuando la capacidad de la batería no sea suficiente, la máquina se detendrá automáticamente. En este caso, extraiga la batería de la máquina y cárguela.

Accionamiento del interruptor

⚠ADVERTENCIA: Antes de instalar el cartucho de batería en la máquina, verifique siempre que el gatillo interruptor se accione debidamente y que regrese a la posición de apagado al soltarlo.

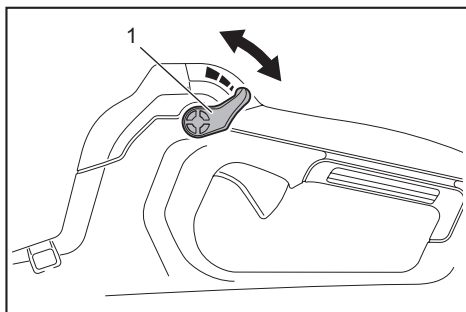


► 1. Gatillo interruptor

Para poner en marcha la máquina, simplemente apriete el gatillo interruptor. La velocidad de la máquina aumentará al incrementar la presión en el gatillo interruptor. Para detener la máquina, suelte el gatillo interruptor.

Función de control de velocidad

La función de control de velocidad permite al operador mantener una velocidad constante sin apretar del gatillo. Para aumentar la velocidad, gire la palanca de control hacia adelante. Para disminuir la velocidad, gire la palanca de control hacia atrás.



► 1. Palanca de control

Función para evitar el encendido accidental

Aunque instale el cartucho de batería mientras se jala el gatillo interruptor, la máquina no arranca. Para arrancar la máquina, primero suelte el gatillo interruptor o regrese la palanca de control completamente, y luego jale el gatillo interruptor.

OPERACIÓN

⚠PRECAUCIÓN: No coloque la máquina en el suelo mientras esté encendida. Arena o polvo pueden entrar desde la entrada de succión y ocasionar una falla o una lesión personal.

Sujete la máquina firmemente con una mano y realice la operación de soplado moviéndola lentamente. Al soplar alrededor de un edificio, piedras grandes o vehículos, dirija la boquilla lejos de ellos. Cuando realice una operación en una esquina, comience desde la esquina y luego muévase al área más amplia.



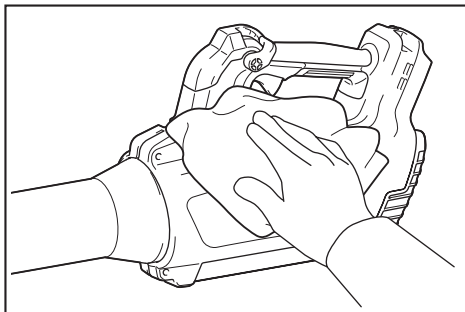
MANTENIMIENTO

⚠PRECAUCIÓN: Asegúrese siempre de que la máquina haya sido apagada y que el cartucho de batería haya sido extraído antes de intentar realizar una inspección o tarea de mantenimiento.

Para mantener la SEGURIDAD y FIABILIDAD del producto, las reparaciones, y cualquier otra tarea de mantenimiento o ajuste deberán ser realizadas en centros de servicio autorizados o de fábrica Makita, empleando siempre repuestos Makita.

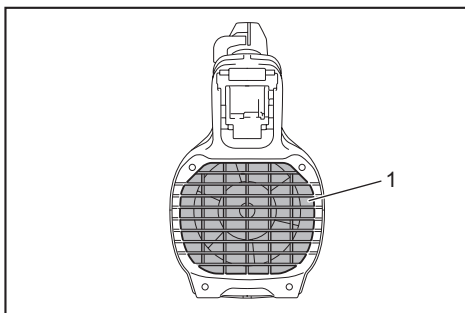
Limpieza de la máquina

Quite el polvo de la máquina con un paño seco o humedezca un paño en agua y jabón y exprímalo para limpiarla.



AVISO: Nunca use gasolina, bencina, diluyente (tíner), alcohol o sustancias similares. Puede que esto ocasione grietas o descoloramiento.

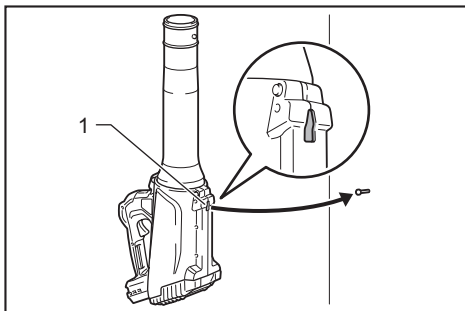
Retire el polvo o la suciedad de la entrada de succión en la parte posterior de la máquina.



► 1. Entrada de succión

Almacenamiento

El orificio para el gancho en la parte inferior de la máquina resulta útil para colgarla en la pared usando un clavo o tornillo. Almacene la máquina en un lugar fuera del alcance de los niños y que no esté expuesta a la humedad o la lluvia.



► 1. Orificio

RESOLUCIÓN DE PROBLEMAS

Antes de solicitar alguna reparación, primero realice una inspección por su cuenta. Si detecta algún problema que no esté explicado en el manual, no intente desensamblar la máquina. En vez de esto, solicite la reparación a un centro de servicio autorizado de Makita, usando siempre piezas de repuesto Makita.

Estado de la anomalía	Causa probable (avería)	Remedio
El motor no funciona.	El cartucho de batería no está instalado.	Instale el cartucho de batería.
	Problema con la batería (bajo voltaje)	Recargue la batería. Si la recarga no es efectiva, reemplace la batería.
	El sistema de accionamiento no funciona correctamente.	Solicite la reparación en el centro de servicio autorizado de su localidad.
El motor deja de funcionar después de un rato de uso.	El nivel de carga de la batería es bajo.	Recargue la batería. Si la recarga no es efectiva, reemplace la batería.
	Sobrecalentamiento.	Deje de usar la máquina para permitir que se enfríe.
La máquina no alcanza la velocidad máxima.	La batería está mal instalada.	Instale el cartucho de batería como se describe en este manual.
	La potencia de la batería se está reduciendo.	Recargue la batería. Si la recarga no es efectiva, reemplace la batería.
	El sistema de accionamiento no funciona correctamente.	Solicite la reparación en el centro de servicio autorizado de su localidad.
Vibración anormal: ⇒ ¡Detenga la máquina inmediatamente!	El sistema de accionamiento no funciona correctamente.	Solicite la reparación en el centro de servicio autorizado de su localidad.
El motor no se puede detener: ⇒ ¡Extraiga la batería inmediatamente!	Avería eléctrica o electrónica.	Extraiga la batería y solicite la reparación en el centro de servicio autorizado de su localidad.

ACCESORIOS OPCIONALES

⚠PRECAUCIÓN: Estos accesorios o aditamentos están recomendados para utilizarse con su producto de Makita especificado en este manual. El uso de cualquier otro accesorio o aditamento puede ocasionar riesgo de lesiones personales. Use los accesorios o aditamentos sólo para los propósitos para los que fueron diseñados.

Si necesita cualquier ayuda para más detalles en relación con estos accesorios, pregunte a su centro de servicio local Makita.

- Tubo adaptador
- Boquilla de extensión
- Boquilla plana
- Correa para el hombro
- Batería y cargador originales de Makita

NOTA: Algunos de los artículos en la lista puede que vengan junto con el paquete del producto como accesorios incluidos. Puede que estos accesorios varíen de país a país.

GARANTÍA LIMITADA DE MAKITA

Ésta Garantía no aplica para México

Consulte la hoja de la garantía anexa para ver los términos más vigentes de la garantía aplicable a este producto. En caso de no disponer de esta hoja de garantía anexa, consulte los detalles sobre la garantía descritos en el sitio web de su país respectivo indicado a continuación.

Estados Unidos de América: www.makitatools.com

Canadá: www.makita.ca

Otros países: www.makita.com

Makita Corporation
3-11-8, Sumiyoshi-cho,
Anjo, Aichi 446-8502 Japan
www.makita.com

885733-943
XBU03-1
EN, ESMX
20190618