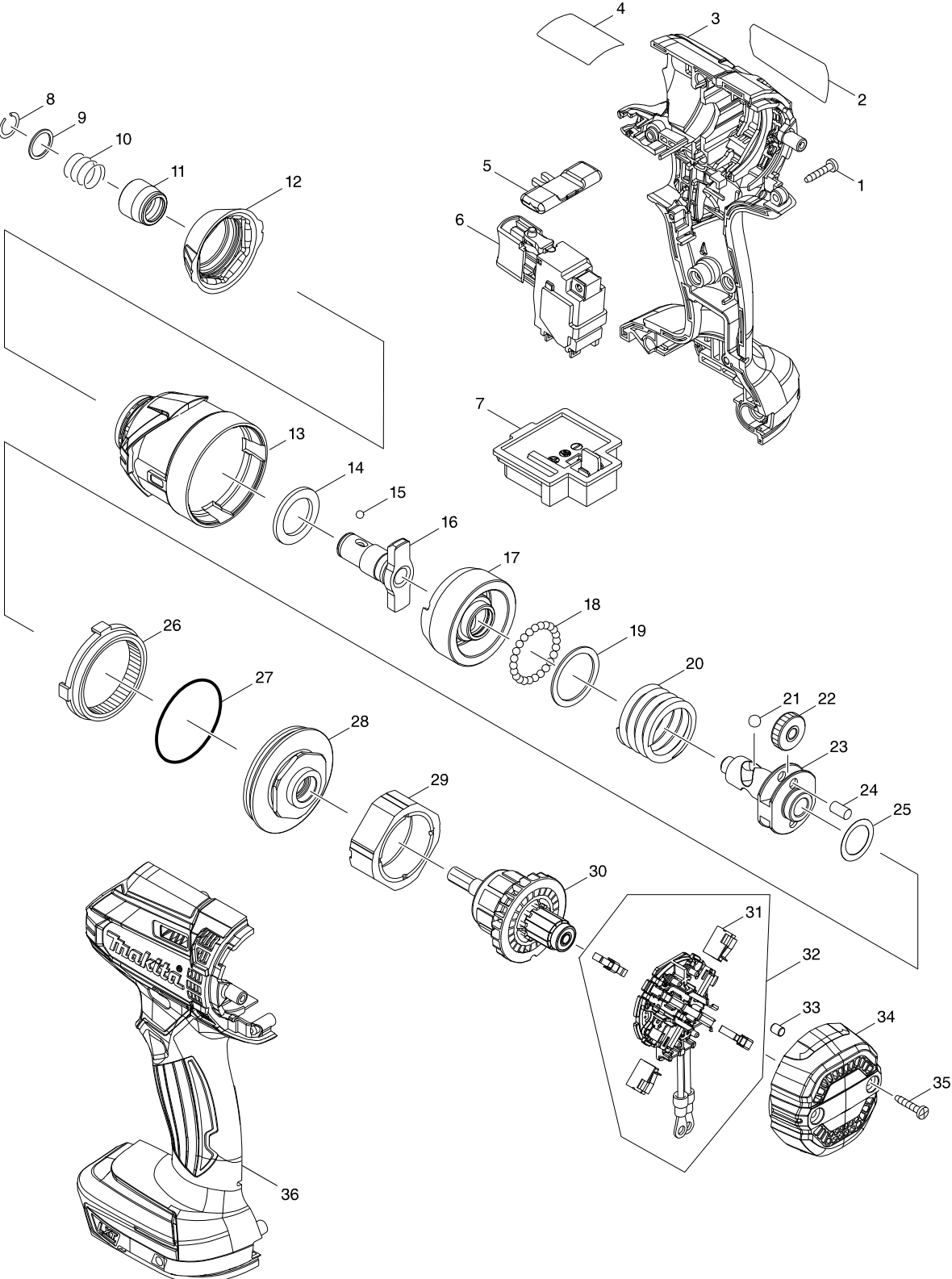


Model No. DTD152 CORDLESS IMPACT DRIVER



Model No. DTD152 CORDLESS IMPACT DRIVER

Item	Parts No.	Description	I/C	QTY	N/O	Opt. 1	Opt. 2	NOTE
001	266429-2	TAPPING SCREW 3X16		8		73181500		
002	851E29-7	DTD152 NAME PLATE		1				
003	183B63-4	HOUSING SET		1		84679900		
C10	263005-3	RUBBER PIN 6		2		40169390		
D10		INC. 36						
005	455053-8	F/R CHANGE LEVER		1		73182990		
006	650751-1	SWITCH TG573FSB-8V		1		85366990		
C10	620445-2	LED CIRCUIT		1				
007	643852-2	TERMINAL		1		73182990		
008	231951-8	RING SPRING 11		1		73209090		
009	267085-1	FLAT WASHER 12		1		73182200		
010	233005-7	COMPRESSION SPRING 13		1		73209090		
011	326072-0	BIT SLEEVE		1		82079090		
012	424738-7	BUMPER		1		84679900		
013	143299-5	HAMMER CASE COMPLETE		1		73262090		
014	261151-6	NYLON WASHER 19		1		73182990		
015	216040-0	STEEL BALL 3.5		2		73182990		
016	326565-7	ANVIL M		1		82079090		
017	326564-9	HAMMER		1		82052000		
018	216040-0	STEEL BALL 3.5		24		73182990		
019	267175-0	FLAT WASHER 24		1		73182200		
020	234251-5	COMPRESSION SPRING 25		1		73209090		
021	216041-8	STEEL BALL 5.6		2		73182990		
022	227362-3	SPUR GEAR 22		2		84679900		
023	326562-3	SPINDLE		1		84679900		
024	256253-1	PIN 5		2		73182990		
025	253314-8	THIN WASHER 15		1				
026	227378-8	INTERNAL GEAR 51		1		84679900		
027	213507-9	O RING 40		1		40169320		
028	143298-7	BEARING BOX COMPLETE		1		84833000		
029A	638396-5	YOKE UNIT		1	*	85030090		
029B	638396-5	YOKE UNIT		1	*	85030090		
029C	638396-5	YOKE UNIT		1	*	85030090		
029D	638396-5	YOKE UNIT		1	*	85030090		
029-1A	632F93-1	YOKE UNIT	<	1				
029-1B	632F93-1	YOKE UNIT	<	1				
029-1C	632F93-1	YOKE UNIT	<	1				
029-1D	632F93-1	YOKE UNIT	<	1				
029-1E	632F93-1	YOKE UNIT		1				
030	619377-8	ARMATURE		1		85030090		
031	196854-2	CARBON BRUSH CB-448		2		85452000		
032A	632F25-8	BRUSH HOLDER COMPLETE		1	*	82078000		
C10	688172-7	LINE FILTER		1	*	84219900		
C20	654037-5	INSULATED TERM. FT1.25-M3		2	*	73182990		
D10		INC. 31			*			
032B	632F25-8	BRUSH HOLDER COMPLETE		1	*	82078000		
C10	688172-7	LINE FILTER		1	*	84219900		
C20	654037-5	INSULATED TERM. FT1.25-M3		2	*	73182990		

Model No. DTD152 CORDLESS IMPACT DRIVER

Item	Parts No.	Description	I/C	QTY	N/O	Opt. 1	Opt. 2	NOTE
D10		INC. 31			*			
032-1A	632F23-2	BRUSH HOLDER COMPLETE	X	1				
D10		INC. 31						
032-1B	632F23-2	BRUSH HOLDER COMPLETE	X	1				
D10		INC. 31						
032-1C	632F23-2	BRUSH HOLDER COMPLETE		1				
D10		INC. 31						
032-1D	632F23-2	BRUSH HOLDER COMPLETE		1				
D10		INC. 31						
032-1E	632F23-2	BRUSH HOLDER COMPLETE		1				
D10		INC. 31						
033	263032-0	RUBBER PIN 4		4		40169390		
034	456044-2	REAR COVER		1		84679900		
035	266429-2	TAPPING SCREW 3X16		2		73181500		
036	183B63-4	HOUSING SET		1		84679900		
C10	263005-3	RUBBER PIN 6		2		40169390		
D10		INC. 3						
A01	346317-0	HOOK		1		73182990		
A02	266622-8	+ TRUSS HEAD SCREW M4X12		1		73181500		
A03A	141856-3	PLASTIC CARRYING CASE COMPLETE		1				
C10	162302-3	LATCH		2		73182990		
C20	324207-7	SHAFT		1		84679900		
C30	451749-9	HANDLE		1		84679900		
A03C	141856-3	PLASTIC CARRYING CASE COMPLETE		1				
C10	162302-3	LATCH		2		73182990		
C20	324207-7	SHAFT		1		84679900		
C30	451749-9	HANDLE		1		84679900		
A03D	141856-3	PLASTIC CARRYING CASE COMPLETE		1				
C10	162302-3	LATCH		2		73182990		
C20	324207-7	SHAFT		1		84679900		
C30	451749-9	HANDLE		1		84679900		
A03E	141856-3	PLASTIC CARRYING CASE COMPLETE		1				
C10	162302-3	LATCH		2		73182990		
C20	324207-7	SHAFT		1		84679900		
C30	451749-9	HANDLE		1		84679900		
A04A	450128-8	BATTERY COVER		1		39269099		
A04C	450128-8	BATTERY COVER		1		39269099		
A04D	450128-8	BATTERY COVER		2		39269099		
A04E	450128-8	BATTERY COVER		1		39269099		
A05A	***DC18RC	DC18RC FAST CHARGER		1				
A05C	***DC18RC	DC18RC FAST CHARGER		1				
A05D	***DC18SD	DC18SD BATTERY CHARGER		1				
A05E	***DC18SD	DC18SD BATTERY CHARGER		1				
A06A	196399-0	BATTERY BL1840 SET		2	*			
A06-1A	197265-4	BATTERY BL1840B SET	<	2	*	85068090		
A06-1C	194204-5	BATTERY BL1830 SET		2	*	85076000		
A06-2A	198012-6	BATTERY BL1840B SET	<	2				
A06-2C	197605-6	BATTERY BL1830B SET	<	2		85076000		

