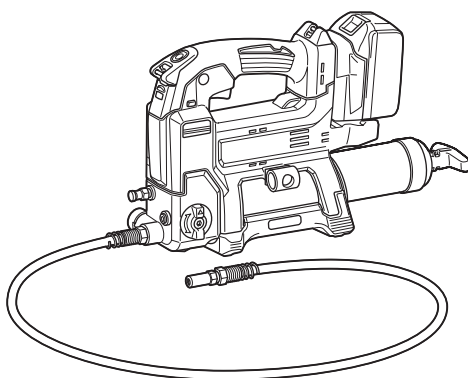


INSTRUCTION MANUAL



Cordless Grease Gun

DGP180



Read before use.

SPECIFICATIONS

Model:		DGP180
Rated voltage		D.C. 18 V
Grease capacity (with A-type barrel)	Cartridge	410 g
	Bulk	455 g
Grease capacity (with B-type barrel)	Cartridge	450 g
	Bulk	570 g
Maximum operating pressure		69 MPa
Maximum flow rate	Slow speed mode	145 ml/min
	Auto speed mode	290 ml/min
Applicable grease type		NLGI No.0 - No.2
Hose length		1,200 mm
Overall length	With A-type barrel	411 mm
	With B-type barrel	449 mm
Net weight		4.8 - 6.1 kg

NOTE: The barrel type (A-type or B-type) varies depending on the country.

- Due to our continuing program of research and development, the specifications herein are subject to change without notice.
- Specifications and battery cartridge may differ from country to country.
- The weight may differ depending on the attachment(s), including the battery cartridge. The lightest and heaviest combinations, according to EPTA-Procedure 01/2014, are shown in the table.

Applicable battery cartridge and charger

Battery cartridge	BL1815N / BL1820 / BL1820B / BL1830 / BL1830B / BL1840 / BL1840B / BL1850 / BL1850B / BL1860B
Charger	DC18RC / DC18RD / DC18RE / DC18SD / DC18SE / DC18SF / DC18SH

- Some of the battery cartridges and chargers listed above may not be available depending on your region of residence.

⚠ WARNING: Only use the battery cartridges and chargers listed above. Use of any other battery cartridges and chargers may cause injury and/or fire.

Symbols

The followings show the symbols which may be used for the equipment. Be sure that you understand their meaning before use.



Read instruction manual.



Only for EU countries
Do not dispose of electric equipment or battery pack together with household waste material!
In observance of the European Directives, on Waste Electric and Electronic Equipment and Batteries and Accumulators and Waste Batteries and Accumulators and their implementation in accordance with national laws, electric equipment and batteries and battery pack(s) that have reached the end of their life must be collected separately and returned to an environmentally compatible recycling facility.

Intended use

This tool is intended for dispensing grease.

Noise

The typical A-weighted noise level determined according to EN62841-1:

Sound pressure level (L_{pA}) : 76 dB(A)

Uncertainty (K) : 3 dB(A)

NOTE: The declared noise emission value(s) has been measured in accordance with a standard test method and may be used for comparing one tool with another.

NOTE: The declared noise emission value(s) may also be used in a preliminary assessment of exposure.

⚠ WARNING: Wear ear protection.

⚠ WARNING: The noise emission during actual use of the power tool can differ from the declared value(s) depending on the ways in which the tool is used especially what kind of workpiece is processed.

⚠ WARNING: Be sure to identify safety measures to protect the operator that are based on an estimation of exposure in the actual conditions of use (taking account of all parts of the operating cycle such as the times when the tool is switched off and when it is running idle in addition to the trigger time).

Vibration

The vibration total value (tri-axial vector sum) determined according to EN62841-1:

Vibration emission (a_n): 2.5 m/s² or less

Uncertainty (K): 1.5 m/s²

NOTE: The declared vibration total value(s) has been measured in accordance with a standard test method and may be used for comparing one tool with another.

NOTE: The declared vibration total value(s) may also be used in a preliminary assessment of exposure.

⚠ WARNING: The vibration emission during actual use of the power tool can differ from the declared value(s) depending on the ways in which the tool is used especially what kind of workpiece is processed.

⚠ WARNING: Be sure to identify safety measures to protect the operator that are based on an estimation of exposure in the actual conditions of use (taking account of all parts of the operating cycle such as the times when the tool is switched off and when it is running idle in addition to the trigger time).

EC Declaration of Conformity

For European countries only

The EC declaration of conformity is included as Annex A to this instruction manual.

SAFETY WARNINGS

General power tool safety warnings

⚠ WARNING: Read all safety warnings, instructions, illustrations and specifications provided with this power tool. Failure to follow all instructions listed below may result in electric shock, fire and/or serious injury.

Save all warnings and instructions for future reference.

The term "power tool" in the warnings refers to your mains-operated (corded) power tool or battery-operated (cordless) power tool.

Work area safety

1. **Keep work area clean and well lit.** Cluttered or dark areas invite accidents.
2. **Do not operate power tools in explosive atmospheres, such as in the presence of flammable liquids, gases or dust.** Power tools create sparks which may ignite the dust or fumes.
3. **Keep children and bystanders away while operating a power tool.** Distractions can cause you to lose control.

Electrical safety

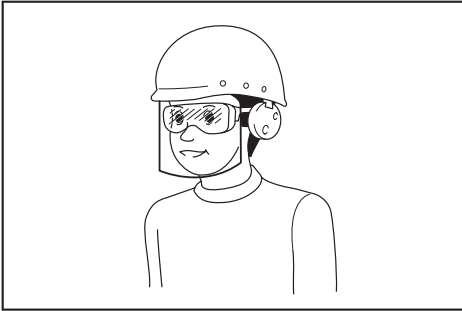
1. **Power tool plugs must match the outlet. Never modify the plug in any way. Do not use any adapter plugs with earthed (grounded) power tools.** Unmodified plugs and matching outlets will reduce risk of electric shock.

2. **Avoid body contact with earthed or grounded surfaces, such as pipes, radiators, ranges and refrigerators.** There is an increased risk of electric shock if your body is earthed or grounded.
3. **Do not expose power tools to rain or wet conditions.** Water entering a power tool will increase the risk of electric shock.
4. **Do not abuse the cord. Never use the cord for carrying, pulling or unplugging the power tool. Keep cord away from heat, oil, sharp edges or moving parts.** Damaged or entangled cords increase the risk of electric shock.
5. **When operating a power tool outdoors, use an extension cord suitable for outdoor use.** Use of a cord suitable for outdoor use reduces the risk of electric shock.
6. **If operating a power tool in a damp location is unavoidable, use a residual current device (RCD) protected supply.** Use of an RCD reduces the risk of electric shock.
7. **Power tools can produce electromagnetic fields (EMF) that are not harmful to the user.** However, users of pacemakers and other similar medical devices should contact the maker of their device and/or doctor for advice before operating this power tool.

Personal safety

1. **Stay alert, watch what you are doing and use common sense when operating a power tool. Do not use a power tool while you are tired or under the influence of drugs, alcohol or medication.** A moment of inattention while operating power tools may result in serious personal injury.
2. **Use personal protective equipment. Always wear eye protection.** Protective equipment such as a dust mask, non-skid safety shoes, hard hat or hearing protection used for appropriate conditions will reduce personal injuries.
3. **Prevent unintentional starting. Ensure the switch is in the off-position before connecting to power source and/or battery pack, picking up or carrying the tool.** Carrying power tools with your finger on the switch or energising power tools that have the switch on invites accidents.
4. **Remove any adjusting key or wrench before turning the power tool on.** A wrench or a key left attached to a rotating part of the power tool may result in personal injury.
5. **Do not overreach. Keep proper footing and balance at all times.** This enables better control of the power tool in unexpected situations.
6. **Dress properly. Do not wear loose clothing or jewellery. Keep your hair and clothing away from moving parts.** Loose clothes, jewellery or long hair can be caught in moving parts.
7. **If devices are provided for the connection of dust extraction and collection facilities, ensure these are connected and properly used.** Use of dust collection can reduce dust-related hazards.
8. **Do not let familiarity gained from frequent use of tools allow you to become complacent and ignore tool safety principles.** A careless action can cause severe injury within a fraction of a second.

9. **Always wear protective goggles to protect your eyes from injury when using power tools. The goggles must comply with ANSI Z87.1 in the USA, EN 166 in Europe, or AS/NZS 1336 in Australia/New Zealand. In Australia/New Zealand, it is legally required to wear a face shield to protect your face, too.**



It is an employer's responsibility to enforce the use of appropriate safety protective equipments by the tool operators and by other persons in the immediate working area.

Power tool use and care

1. **Do not force the power tool. Use the correct power tool for your application.** The correct power tool will do the job better and safer at the rate for which it was designed.
2. **Do not use the power tool if the switch does not turn it on and off.** Any power tool that cannot be controlled with the switch is dangerous and must be repaired.
3. **Disconnect the plug from the power source and/or remove the battery pack, if detachable, from the power tool before making any adjustments, changing accessories, or storing power tools.** Such preventive safety measures reduce the risk of starting the power tool accidentally.
4. **Store idle power tools out of the reach of children and do not allow persons unfamiliar with the power tool or these instructions to operate the power tool.** Power tools are dangerous in the hands of untrained users.
5. **Maintain power tools and accessories. Check for misalignment or binding of moving parts, breakage of parts and any other condition that may affect the power tool's operation. If damaged, have the power tool repaired before use.** Many accidents are caused by poorly maintained power tools.
6. **Keep cutting tools sharp and clean.** Properly maintained cutting tools with sharp cutting edges are less likely to bind and are easier to control.
7. **Use the power tool, accessories and tool bits etc. in accordance with these instructions, taking into account the working conditions and the work to be performed.** Use of the power tool for operations different from those intended could result in a hazardous situation.
8. **Keep handles and grasping surfaces dry, clean and free from oil and grease.** Slippery handles and grasping surfaces do not allow for safe handling and control of the tool in unexpected situations.

9. **When using the tool, do not wear cloth work gloves which may be entangled.** The entanglement of cloth work gloves in the moving parts may result in personal injury.

Battery tool use and care

1. **Recharge only with the charger specified by the manufacturer.** A charger that is suitable for one type of battery pack may create a risk of fire when used with another battery pack.
2. **Use power tools only with specifically designed battery packs.** Use of any other battery packs may create a risk of injury and fire.
3. **When battery pack is not in use, keep it away from other metal objects, like paper clips, coins, keys, nails, screws or other small metal objects, that can make a connection from one terminal to another.** Shorting the battery terminals together may cause burns or a fire.
4. **Under abusive conditions, liquid may be ejected from the battery; avoid contact. If contact accidentally occurs, flush with water. If liquid contacts eyes, additionally seek medical help.** Liquid ejected from the battery may cause irritation or burns.
5. **Do not use a battery pack or tool that is damaged or modified.** Damaged or modified batteries may exhibit unpredictable behaviour resulting in fire, explosion or risk of injury.
6. **Do not expose a battery pack or tool to fire or excessive temperature.** Exposure to fire or temperature above 130 °C may cause explosion.
7. **Follow all charging instructions and do not charge the battery pack or tool outside the temperature range specified in the instructions.** Charging improperly or at temperatures outside the specified range may damage the battery and increase the risk of fire.

Service

1. **Have your power tool serviced by a qualified repair person using only identical replacement parts.** This will ensure that the safety of the power tool is maintained.
2. **Never service damaged battery packs.** Service of battery packs should only be performed by the manufacturer or authorized service providers.
3. **Follow instruction for lubricating and changing accessories.**

Cordless grease gun safety warnings

1. **Hold the tool firmly.**
2. **Do not operate the tool near flame.** The grease may be flammable.
3. **Use only grease that meets the specifications stated in this instruction manual.** Installing a different type of grease or any materials other than grease may cause failure.
4. **Do not install any materials other than grease, such as oil.** It may spout out of the tool and get into eyes.
5. **Do not carry the tool by the flexible hose or the rod handle.**
6. **Wear goggles when using the tool.**

7. **Check the flexible hose before each use. Do not use the hose if it is kinked or damaged.** The hose may be ruptured by high pressure and the grease gets into eyes.
8. **Make sure the rod is secured firmly.** The rod may move accidentally and cause a pinching.
9. **Read and follow the instructions of grease manufacture before usage.**
10. **Keep hands and clothes away from the rod of the rod handle.** Otherwise your finger or clothes may be pinched.
11. **Wipe off grease adhering on the tool.** Otherwise it may cause slipping and result in an injury.
12. **Do not bend the flexible hose forcibly or stamp it.** Doing so may cause a breakage or deformation of the hose.
13. **Do not point the adapter at anyone in the vicinity.**
14. **Use the flexible hose only specified by Makita.** Use of any other hose might present a risk of injury.
10. **The contained lithium-ion batteries are subject to the Dangerous Goods Legislation requirements.** For commercial transports e.g. by third parties, forwarding agents, special requirement on packaging and labeling must be observed. For preparation of the item being shipped, consulting an expert for hazardous material is required. Please also observe possibly more detailed national regulations. Tape or mask off open contacts and pack up the battery in such a manner that it cannot move around in the packaging.
11. **When disposing the battery cartridge, remove it from the tool and dispose of it in a safe place. Follow your local regulations relating to disposal of battery.**
12. **Use the batteries only with the products specified by Makita.** Installing the batteries to non-compliant products may result in a fire, excessive heat, explosion, or leak of electrolyte.
13. **If the tool is not used for a long period of time, the battery must be removed from the tool.**
14. **During and after use, the battery cartridge may take on heat which can cause burns or low temperature burns. Pay attention to the handling of hot battery cartridges.**
15. **Do not touch the terminal of the tool immediately after use as it may get hot enough to cause burns.**
16. **Do not allow chips, dust, or soil stuck into the terminals, holes, and grooves of the battery cartridge.** It may result in poor performance or breakdown of the tool or battery cartridge.
17. **Unless the tool supports the use near high-voltage electrical power lines, do not use the battery cartridge near high-voltage electrical power lines.** It may result in a malfunction or breakdown of the tool or battery cartridge.
18. **Keep the battery away from children.**

SAVE THESE INSTRUCTIONS.

Important safety instructions for battery cartridge

1. **Before using battery cartridge, read all instructions and cautionary markings on (1) battery charger, (2) battery, and (3) product using battery.**
2. **Do not disassemble or tamper the battery cartridge.** It may result in a fire, excessive heat, or explosion.
3. **If operating time has become excessively shorter, stop operating immediately.** It may result in a risk of overheating, possible burns and even an explosion.
4. **If electrolyte gets into your eyes, rinse them out with clear water and seek medical attention right away. It may result in loss of your eyesight.**
5. **Do not short the battery cartridge:**
 - (1) **Do not touch the terminals with any conductive material.**
 - (2) **Avoid storing battery cartridge in a container with other metal objects such as nails, coins, etc.**
 - (3) **Do not expose battery cartridge to water or rain.**

A battery short can cause a large current flow, overheating, possible burns and even a breakdown.

6. **Do not store and use the tool and battery cartridge in locations where the temperature may reach or exceed 50 °C (122 °F).**
7. **Do not incinerate the battery cartridge even if it is severely damaged or is completely worn out.** The battery cartridge can explode in a fire.
8. **Do not nail, cut, crush, throw, drop the battery cartridge, or hit against a hard object to the battery cartridge.** Such conduct may result in a fire, excessive heat, or explosion.
9. **Do not use a damaged battery.**

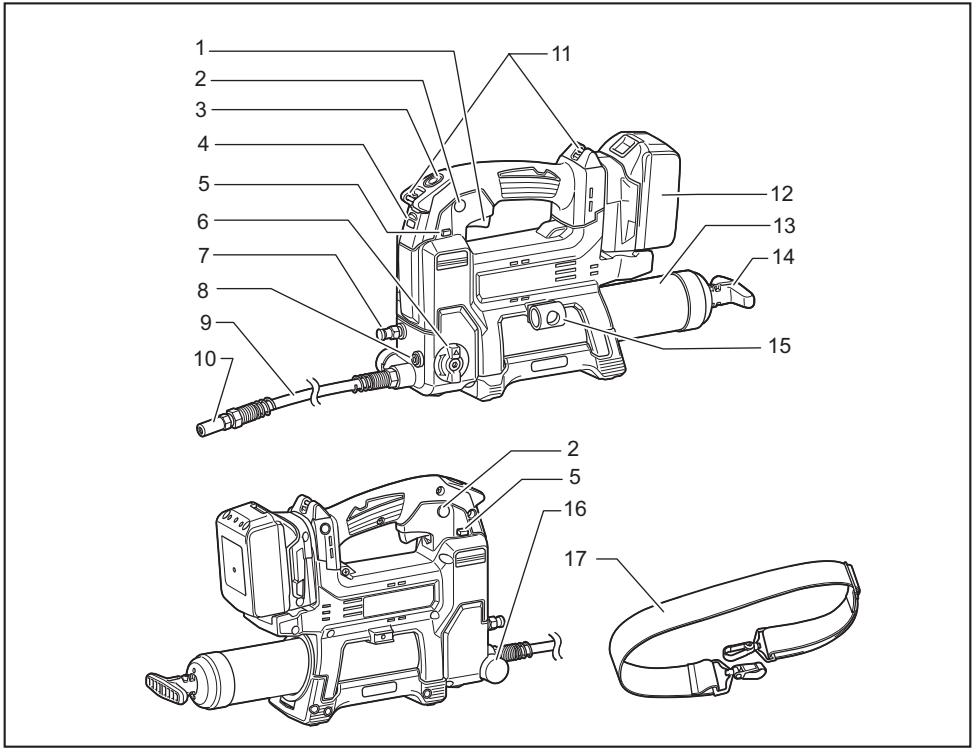
SAVE THESE INSTRUCTIONS.

⚠ CAUTION: Only use genuine Makita batteries. Use of non-genuine Makita batteries, or batteries that have been altered, may result in the battery bursting causing fires, personal injury and damage. It will also void the Makita warranty for the Makita tool and charger.

Tips for maintaining maximum battery life

1. **Charge the battery cartridge before completely discharged. Always stop tool operation and charge the battery cartridge when you notice less tool power.**
2. **Never recharge a fully charged battery cartridge. Overcharging shortens the battery service life.**
3. **Charge the battery cartridge with room temperature at 10 °C - 40 °C (50 °F - 104 °F). Let a hot battery cartridge cool down before charging it.**
4. **When not using the battery cartridge, remove it from the tool or the charger.**
5. **Charge the battery cartridge if you do not use it for a long period (more than six months).**

PARTS DESCRIPTION



1	Switch trigger	2	Lock button	3	Lamp switch
4	Lamp	5	Trigger-lock button	6	Speed mode changing knob
7	Air drain	8	Filler port plug	9	Flexible hose
10	Adapter	11	Strap hole	12	Battery cartridge
13	Barrel	14	Rod handle	15	Hose holder
16	Pressure relief valve	17	Shoulder strap	-	-

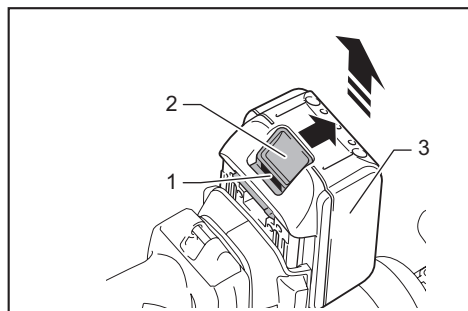
FUNCTIONAL DESCRIPTION

CAUTION: Always be sure that the tool is switched off and the battery cartridge is removed before adjusting or checking function on the tool.

Installing or removing battery cartridge

CAUTION: Always switch off the tool before installing or removing of the battery cartridge.

CAUTION: Hold the tool and the battery cartridge firmly when installing or removing battery cartridge. Failure to hold the tool and the battery cartridge firmly may cause them to slip off your hands and result in damage to the tool and battery cartridge and a personal injury.



► 1. Red indicator 2. Button 3. Battery cartridge

To remove the battery cartridge, slide it from the tool while sliding the button on the front of the cartridge.

To install the battery cartridge, align the tongue on the battery cartridge with the groove in the housing and slip it into place. Insert it all the way until it locks in place with a little click. If you can see the red indicator on the upper side of the button, it is not locked completely.

CAUTION: Always install the battery cartridge fully until the red indicator cannot be seen. If not, it may accidentally fall out of the tool, causing injury to you or someone around you.

CAUTION: Do not install the battery cartridge forcibly. If the cartridge does not slide in easily, it is not being inserted correctly.

Tool / battery protection system

The tool is equipped with a tool/battery protection system. This system automatically cuts off power to the motor to extend tool and battery life. The tool will automatically stop during operation if the tool or battery is placed under one of the following conditions:

Overload protection

When the tool/battery is operated in a manner that causes it to draw an abnormally high current, the tool automatically stops without any indication. In this situation, turn the tool off and stop the application that caused the tool to become overloaded. Then turn the tool on to restart.

Overheat protection

When the tool or battery is overheated, the tool stops automatically and the lamp blinks. In this case, let the tool and battery cool before turning the tool on again.

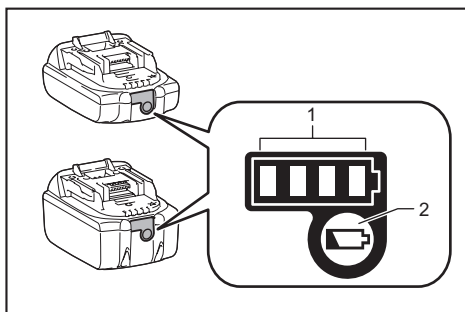
Overdischarge protection

When the battery capacity is not enough, the tool stops automatically. In this case, remove the battery from the tool and charge the battery.

NOTE: The protection system may become more likely to work depending on the ambient temperature or the type and condition of grease.

Indicating the remaining battery capacity

Only for battery cartridges with the indicator



► 1. Indicator lamps 2. Check button

Press the check button on the battery cartridge to indicate the remaining battery capacity. The indicator lamps light up for a few seconds.

Indicator lamps			Remaining capacity
Lighted	Off	Blinking	
■	■	■	75% to 100%
■	■	□	50% to 75%
■	□	□	25% to 50%
■	□	□	0% to 25%
▣	□	□	Charge the battery.
■	■	□	The battery may have malfunctioned.
□	□	■	

NOTE: Depending on the conditions of use and the ambient temperature, the indication may differ slightly from the actual capacity.

NOTE: The first (far left) indicator lamp will blink when the battery protection system works.

Switch action

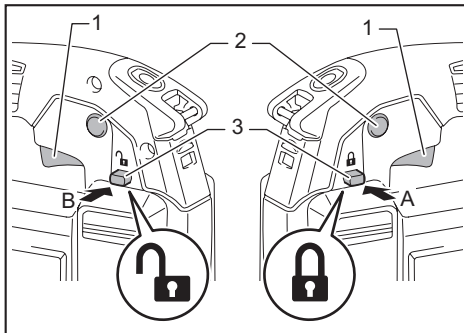
CAUTION: Before installing the battery cartridge into the tool, always check to see that the switch trigger actuates properly and returns to the "OFF" position when released.

CAUTION: When not operating the tool, depress the trigger-lock button from "A" side to lock the switch trigger in the OFF position.

To prevent the switch trigger from accidentally pulled, the trigger-lock button is provided.

To start the tool, depress the trigger-lock button from "B" side and pull the switch trigger.

Tool speed is increased by increasing pressure on the switch trigger. Release the switch trigger to stop. After use, always press in the trigger-lock button from "A" side. For continuous operation, pull the switch trigger and then push in the lock button. To stop the tool from the locked position, pull the switch trigger fully to unlock.

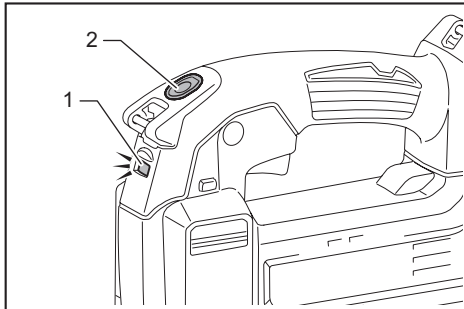


► 1. Switch trigger 2. Lock button 3. Trigger-lock button

Lighting up the front lamp

CAUTION: Do not look in the light or see the source of light directly.

Press the lamp switch to light up the lamp. Press the lamp switch again to turn off the lamp. When the tool is left without any operation for about 60 seconds with the motor stopped, the lamp goes out.



► 1. Lamp 2. Lamp switch

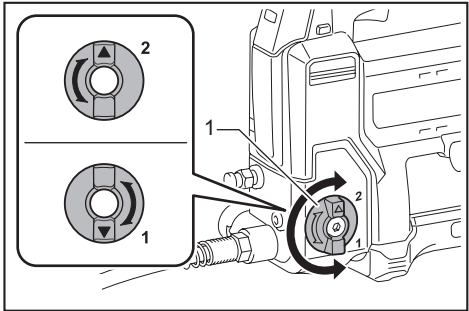
NOTICE: Use a dry cloth to wipe the dirt off the lens of the lamp. Be careful not to scratch the lens of lamp, or it may lower the illumination.

Selecting the speed mode

NOTICE: Change the speed mode only after the tool comes to a complete stop.

The tool employs the speed mode changing knob. Turn the knob so that the arrow on the knob points toward one of the two modes below;

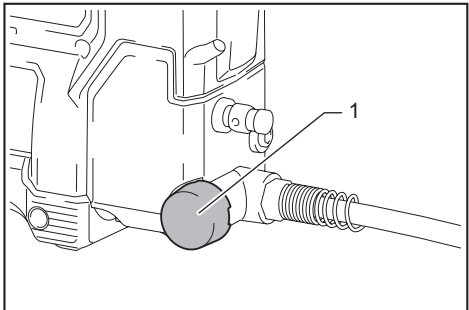
1	Slow speed mode: Dispense grease at constant slow speed.
2	Auto speed mode: Apply grease while varying the flow rate automatically according to pressure of supply destination.



► 1. Speed mode changing knob

Pressure relief valve

When the internal pressure in the tool exceeds a certain level, grease comes out from the pressure relief valve to lower the internal pressure.



► 1. Pressure relief valve

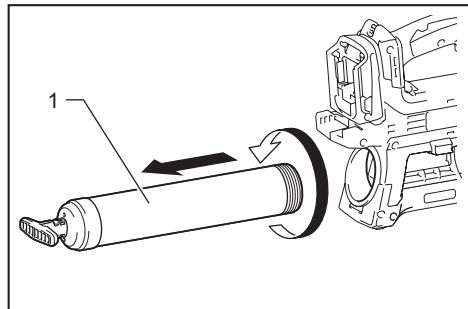
CAUTION: When grease comes out from the pressure relief valve, wipe off the grease with a dry cloth or the like. Otherwise it may cause slipping and result in an injury.

ASSEMBLY

⚠ CAUTION: Always be sure that the tool is switched off and the battery cartridge is removed before carrying out any work on the tool.

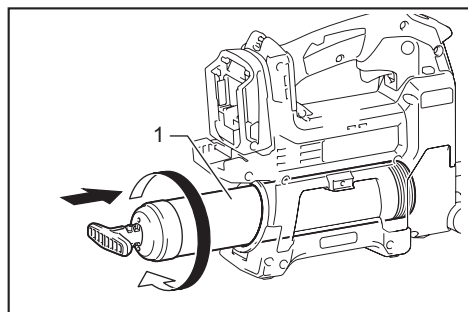
Removing or installing barrel

To remove the barrel, screw it as illustrated.



► 1. Barrel

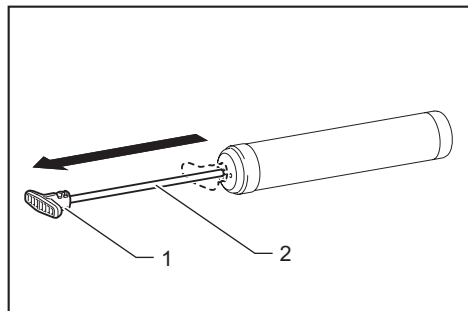
To install the barrel, insert it into the tool then screw in reverse.



► 1. Barrel

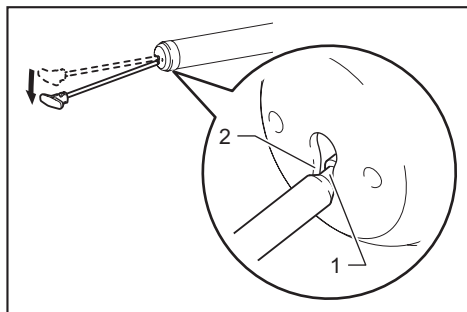
Rod handle

Pull the rod handle when installing grease in the barrel.



► 1. Rod handle 2. Rod

To lock the rod handle fully pulled, pull the rod handle until the groove on the rod can be seen, and then hook the groove onto the slot. To unlock the rod handle, unhook the groove so the rod moves forward.



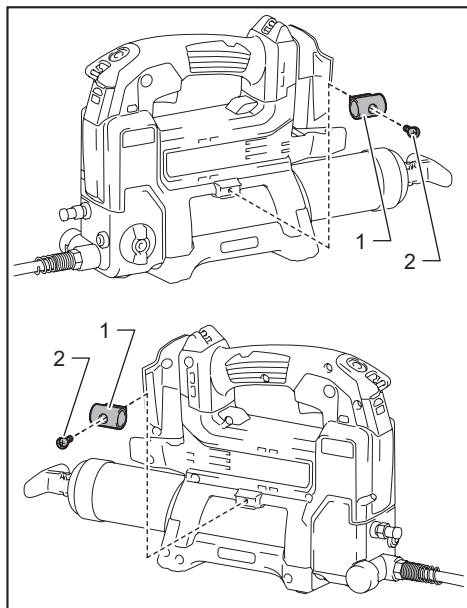
► 1. Groove 2. Slot

⚠ CAUTION: Make sure the rod handle is locked firmly. Otherwise it may be unlocked accidentally and cause a pinching.

NOTE: To pull the rod handle while the barrel installed in the tool, loosen the valve of the air drain to let air comes into the barrel.

Hose holder

The hose holder can be attached to either side of the tool with the screw.



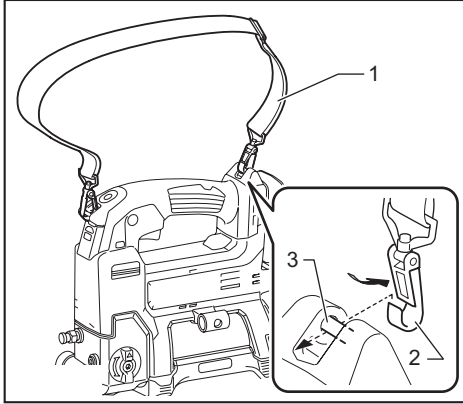
► 1. Hose holder 2. Screw

Shoulder strap

⚠ WARNING: Never use the strap hole for lanyard (tether strap). Doing so may result in serious injury because the strap hole is not intended for a safety device for fall prevention.

⚠ WARNING: When carrying the tool, keep holding the tool even if when using the shoulder strap. Carrying the tool using only the shoulder strap makes it unstable. The shoulder strap may come off or the tool hit other objects and cause injury.

Attach the hooks of the shoulder strap onto the mounts of the strap holes as shown in the figure.



▶ 1. Shoulder strap 2. Hook 3. Mount

OPERATION

Grease supply

⚠ WARNING: Make sure to read the instruction manuals of the grease and/or other instruments and replace the following contents as necessary. Misuse or failure to follow the instructions may damage the tool or cause an injury.

NOTICE: When using the barrel with the old grease remains, remove the barrel and purge the old grease according to the section for purge of grease.

There are following ways to provide grease:

Installing grease cartridge (commercially-bought) in the barrel

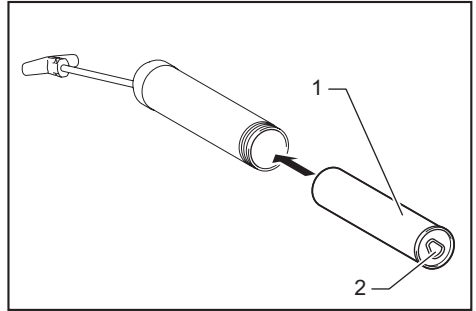
NOTICE: (For A-type barrel only)

Use the grease cartridge whose brim can be hooked on the end surface of the barrel.

NOTICE: (For B-type/C-type barrel only)

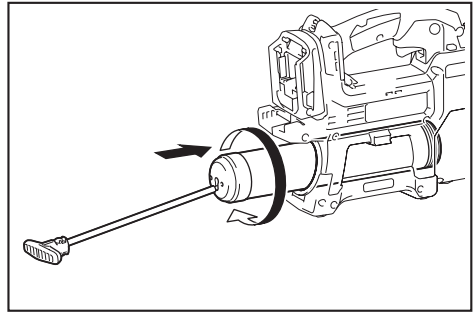
Use the grease cartridge whose brim can be hooked on the inside step of the barrel.

1. Remove the barrel from the tool fully pull the rod handle and lock it.
2. Remove the plastic cap of the grease cartridge and insert the grease cartridge into the barrel.

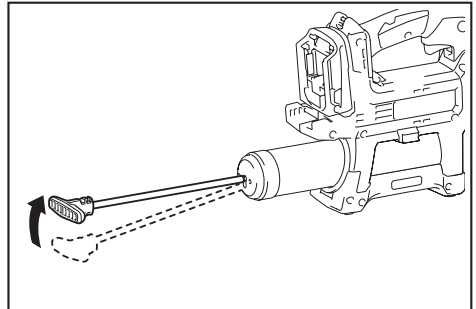


▶ 1. Grease cartridge (commercially-bought) 2. Pull tab

3. Remove the pull tab of the grease cartridge then install the barrel to the tool. If there is a gap between the brim of the grease cartridge and the barrel, screw the barrel into the tool while pushing the barrel forward.



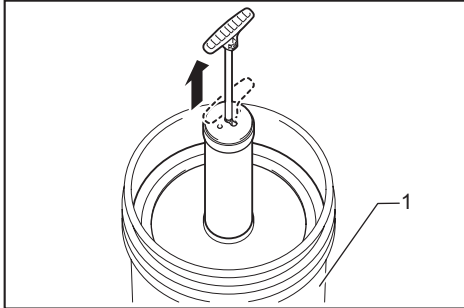
4. Release the rod handle.



5. Eject the air that remains in the flow path of the grease. (Refer to the section for ejection of air.)

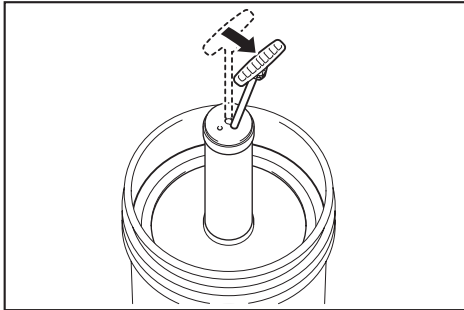
Filling grease in the barrel from a bulk container (commercially-bought)

1. Remove the barrel from the tool.
2. Dip the tip of the barrel in the grease and then pull the rod handle. The grease is pumped up into the barrel.



► 1. Bulk container (commercially-bought)

3. Fully pull the rod handle and lock it.

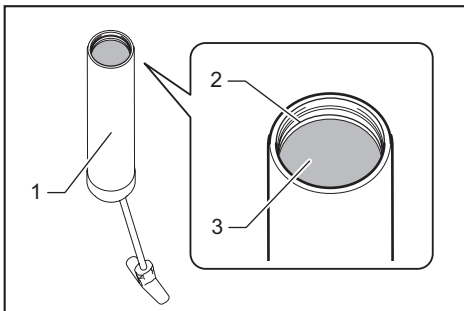


4. Install the barrel to the tool and then unlock the rod handle.
5. Eject the air that remains in the flow path of the grease. (Refer to the section for ejection of air.)

NOTICE: When locking the rod handle, make sure the rod handle is locked firmly. Otherwise the rod handle get unlocked unintentionally, the grease comes out from the barrel.

NOTE: (For B-type/C-type barrel only)

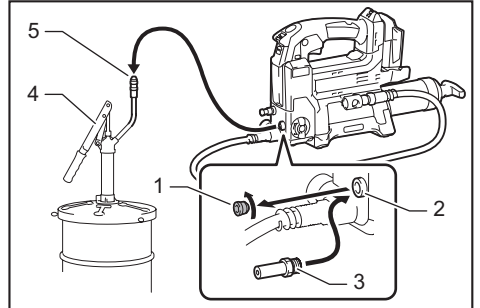
The amount of grease filling should be below the screw groove line. Otherwise grease will overflow when installing the barrel to the tool.



► 1. Barrel (B-type/C-type) 2. Screw groove 3. Grease

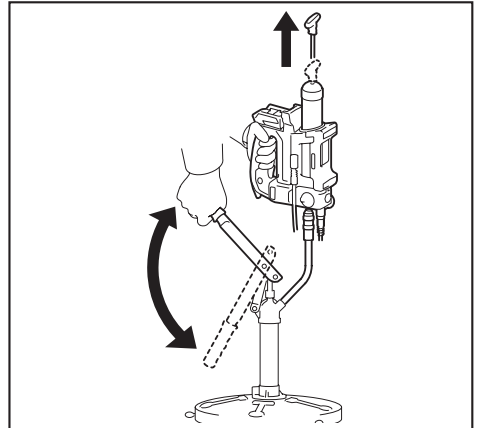
You can also fill grease into the barrel using a filler pump (commercially-bought) attached to the bulk container.

1. Remove the filler port plug. Attach a loader fitting (commercially-bought) to the filler port.
2. With the barrel installed in the tool, connect the loader fitting to the fitting of the filler pump.



► 1. Filler port plug 2. Filler port 3. Loader fitting (commercially-bought) 4. Filler pump (commercially-bought) 5. Fitting

3. Operate the filler pump. The rod of the rod handle will be pushed out as the barrel is filled with grease.



4. Disconnect the loader fitting from the fitting of the filler pump.
5. Eject the air that remains in the flow path of the grease. (Refer to the section for ejection of air.)

▲WARNING: Use a low-pressure loader fitting only. Never use a high-pressure loader fitting otherwise it may damage the tool and cause a personal injury.

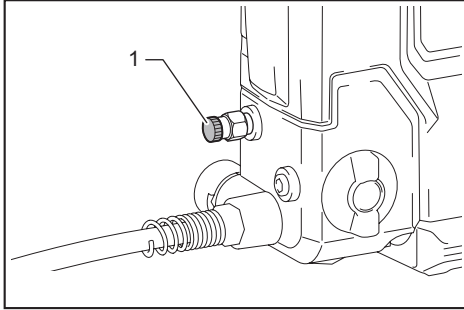
▲CAUTION: Hold the tool firmly when filling the grease by using a filler pump. The tool may fall and cause an injury.

NOTICE: Stop filling the grease when you see the groove on the rod. Otherwise the grease leakage may occur.

Ejection of air

If air remains in the flow path of the grease, the tool cannot pour grease accurately. Eject the air before each use and also when the tool seems to work improperly due to air.

1. To eject air from inside of the tool, loosen the valve for air drain. Air comes out from the hole for air drain.
2. Fasten the valve when you see the grease coming out of the hole.



▶ 1. Valve

⚠ WARNING: Wear the protective goggles when ejecting the air.

⚠ CAUTION: Wipe off the grease that comes out from the air drain with a dry cloth or the like. Otherwise it may cause slipping and result in an injury.

Dispensing the grease

In the following cases, purge the old grease inside the tool before use;

- When using the tool for the first time or;
- When using different type of the grease from previous use.

With the new grease filled in the barrel, run the tool for a while until the old grease is pushed out from the adapter.

NOTICE: Do not connect the adapter to the grease nipple until the old grease is purged. If different kinds of grease are mixed, the performance of the grease may decline.

NOTE: The tool has been tested at the factory and small amount of the grease remains.

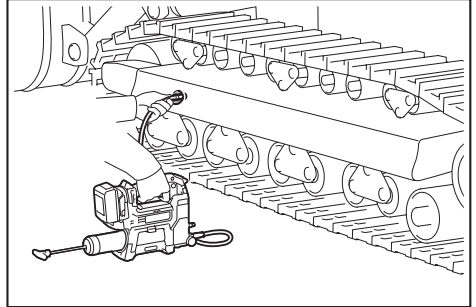
Perform the following procedure to dispense the grease.

⚠ CAUTION: Always check the speed mode before operation.

NOTICE: Before connecting the adapter to the grease nipple, always make sure that the tool dispenses grease properly.

NOTICE: Do not connect the adapter to the grease nipple forcibly.

1. Wipe the adapter and the grease nipple before connecting. Push the adapter straight at the grease nipple.
2. Pull the switch trigger to dispense the grease.



3. When dispensing the grease is finished, remove the adapter from the grease nipple. Tilt the adapter slightly to release internal pressure and then remove the adapter from the grease nipple. Wipe off the grease from the adapter and the grease nipple.

NOTICE: Do not leave the tool running even after the grease depleted. It may shorten the life of the tool.

NOTE: If the internal pressure rises while the switch trigger is not fully pulled, the protection system works and the motor will stop even though the tool does not reach the maximum operating pressure. When injecting the grease at high pressure, pull the switch trigger fully.

NOTE: The tool stops automatically when the tool keep running for more than 6 minutes.

MAINTENANCE

⚠ CAUTION: Always be sure that the tool is switched off and the battery cartridge is removed before attempting to perform inspection or maintenance.

NOTICE: Never use gasoline, benzine, thinner, alcohol or the like. Discoloration, deformation or cracks may result.

To maintain product SAFETY and RELIABILITY, repairs, any other maintenance or adjustment should be performed by Makita Authorized or Factory Service Centers, always using Makita replacement parts.

Purge of grease

When storing the tool or using the barrel in which the grease remains, remove the barrel and purge the old grease in the following procedure.

1. Loosen the valve for air drain.
2. Fully pull the rod handle and lock it.
3. Remove the barrel from the tool.
4. Unlock the rod handle. Keep holding the rod handle and slowly move the rod handle forward so the grease gets out of the barrel.

CAUTION: Do not take hand off from the rod handle. Otherwise the grease pops out vigorously.

NOTICE: Keep dust away from inside of the barrel. Dust may get clogged in the tool.

NOTICE: Clean the inside of the barrel once every three months.

OPTIONAL ACCESSORIES

CAUTION: These accessories or attachments are recommended for use with your Makita tool specified in this manual. The use of any other accessories or attachments might present a risk of injury to persons. Only use accessory or attachment for its stated purpose.

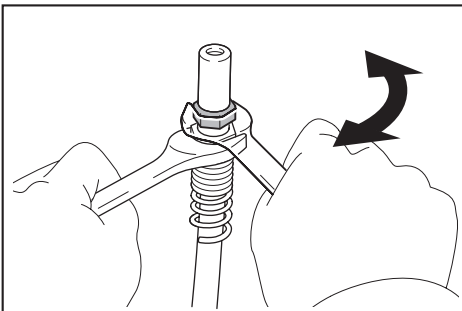
If you need any assistance for more details regarding these accessories, ask your local Makita Service Center.

- Adapter
- Flexible hose
- Barrel
- Cartridge barrel
- Shoulder strap
- Lock on adapter
- Angle adapter
- Makita genuine battery and charger

NOTE: Some items in the list may be included in the tool package as standard accessories. They may differ from country to country.

Replacing of the adapter

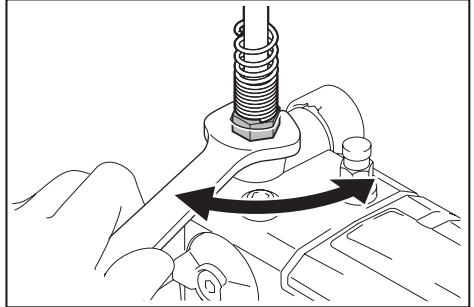
Loosen and remove the old adapter with two wrenches as illustrated and then tighten the new adapter securely.



NOTE: If grease leaks from the joint between the hose and the adapter, wrap thread seal tape around the thread part of the hose before connecting the adapter.

Replacing of the flexible hose

Loosen and remove the old flexible hose with a wrench as illustrated and then tighten the new flexible hose securely.



CAUTION: Replace the rubber ring attached to the connection part of the new flexible hose at the same time. If you replace the flexible hose without the rubber ring or with the old rubber ring, grease may leak and cause an injury.

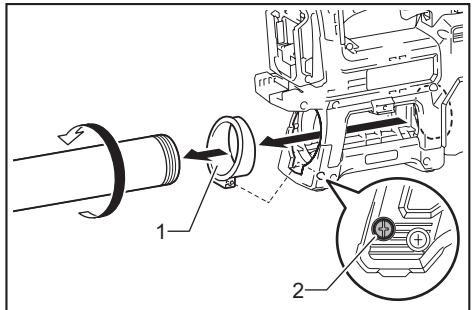
Changing the barrel

NOTE: The barrel type varies depending on the country.

NOTE: To install a barrel of different type, additional parts described below are required depending on the type of the barrel.

Changing the barrel from A-type to B-type/C-type

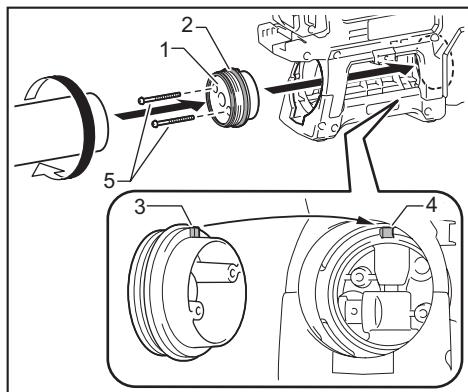
1. Remove A-type barrel.
2. Remove the screw and then the sleeve.



▶ 1. Sleeve 2. Screw

3. Insert the joint with the rubber packing while aligning the tab with the groove on the mounting part and then secure it with screws.

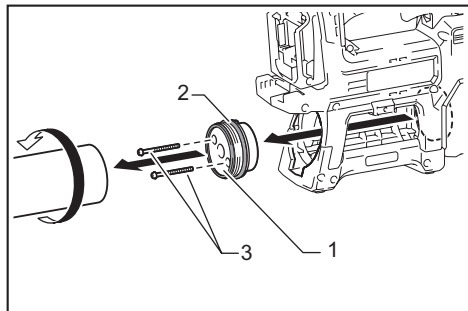
4. Install B-type/C-type barrel.



- 1. Joint 2. Rubber packing 3. Tab 4. Groove
5. Screw

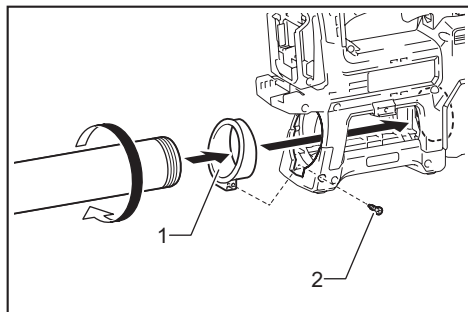
Changing the barrel from B-type/ C-type to A-type

1. Remove B-type/C-type barrel.
2. Unscrew and remove the joint.



- 1. Joint 2. Rubber packing 3. Screw

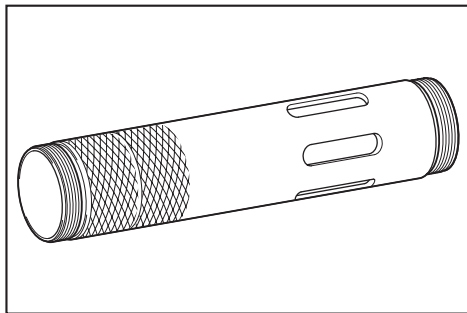
3. Insert the sleeve into the tool housing, then secure it with a screw.
4. Install A-type barrel.



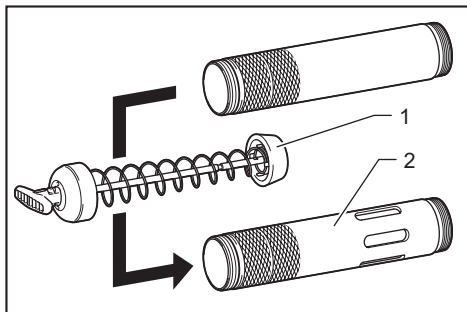
- 1. Sleeve 2. Screw

Cartridge barrel

You can see the grease cartridge through the hole on the cartridge barrel.



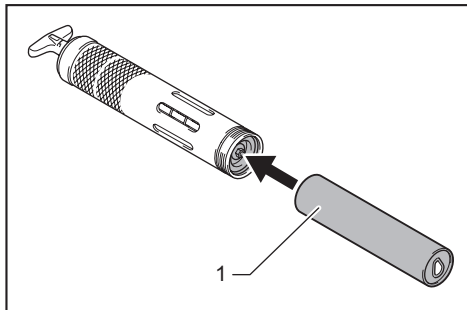
When using the cartridge barrel, transfer the piston parts from the corresponding barrel to the cartridge barrel.



- 1. Piston parts 2. Cartridge barrel

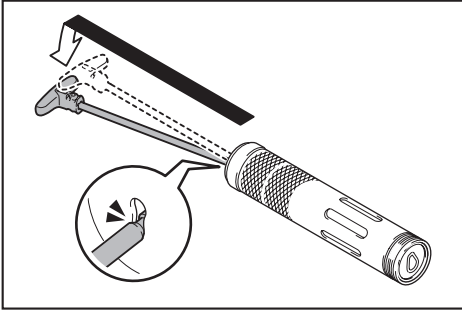
If it is hard to pull out the rod handle, follow the procedure below.

1. Insert the empty grease cartridge into the barrel.



- 1. Empty grease cartridge

2. Pull the the rod handle and lock it.



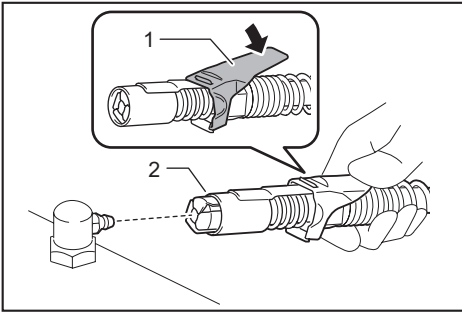
3. Remove the empty grease cartridge from the barrel.

Lock on adapter

CAUTION: Be careful not to pinch the finger in the lock on adapter.

CAUTION: Wear the protective goggles. When removing the lock on adapter from the grease nipple, the grease may spout out of the tool and cause an injury.

When connecting the lock on adapter to the grease nipple, push the lock on adapter straight at the grease nipple while pulling the lever of the lock on adapter, then release the lever.

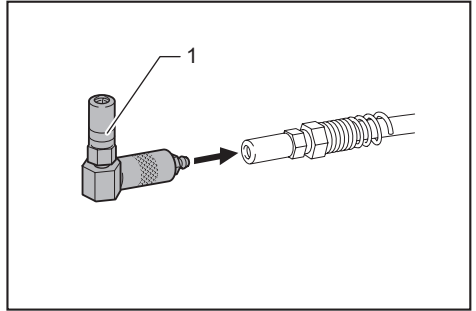


- 1. Lever 2. Lock on adapter

To assemble the lock on adapter, refer to the section for replacing of the adapter.

Angle adapter

When attaching the angle adapter, push the adapter of the tool straight to the angle adapter.



- 1. Angle adapter

Makita Europe N.V. Jan-Baptist Vinkstraat 2,
3070 Kortenberg, Belgium

Makita Corporation 3-11-8, Sumiyoshi-cho,
Anjo, Aichi 446-8502 Japan

www.makita.com

885731-226 EN 20200519
