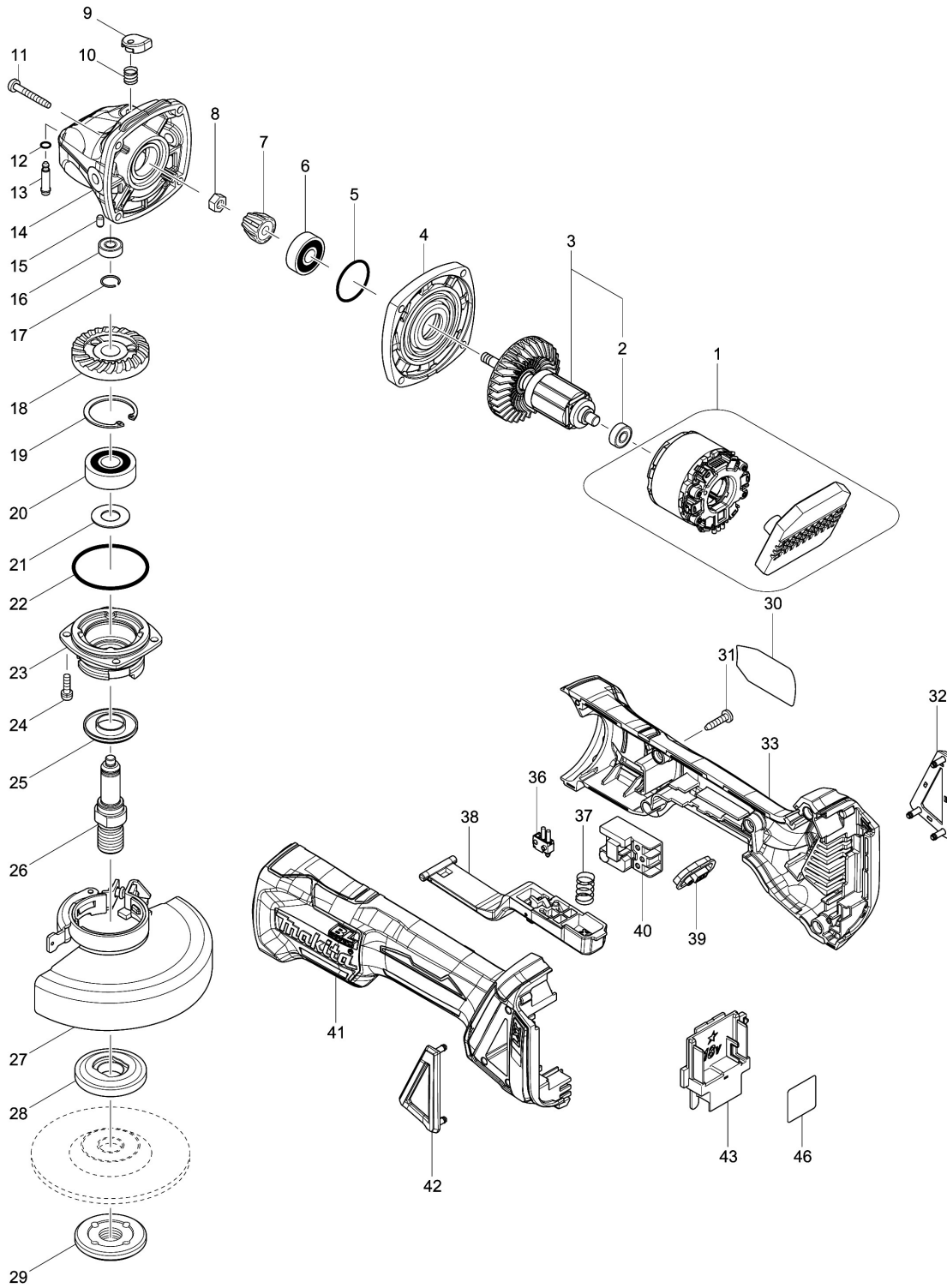


Model No.DGA455 115MM CORDLESS ANGLE GRINDER



Model No.DGA455 115MM CORDLESS ANGLE GRINDER

Pieza	Código	Descripción	Info	CTD.	New/Old	Opc. 1	Opc. 2	OBS.
001-1	629174-4	STATOR COMPLETE		1				
002-1	210169-4	BALL BEARING 607LLB		1				
003-2	510329-1	ROTOR ASS'Y		1				
D10		INC. 2						
004	319214-3	GEAR HOUSING COVER		1				
005	213445-5	O-RING 26		1				
006	210042-8	BALL BEARING 629LLB		1				
007-1	226861-2	SPIRAL BEVEL GEAR 10		1				
008	252186-8	HEX. NUT M6		1				
009	417771-6	PIN CAP		1				
010	233072-2	COMPRESSION SPRING 8		1				
011	266361-0	TAPPING SCREW 4X30		4				
012	213960-9	O RING 5		1				
013	256546-6	SHOULDER PIN 4		1				
014	319213-5	GEAR HOUSING		1				
015	263002-9	RUBBER PIN 4		1				
016	210033-9	BALL BEARING 696ZZ		1				
017	233950-6	RING SPRING 11		1				
018-1	226862-0	SPIRAL BEVEL GEAR 37		1				
019	962151-6	RETAINING RING R-32		1				
020	211129-9	BALL BEARING 6201DDW		1				
021	267113-2	FLAT WASHER 12		1	*			
021-1	267238-2	FLAT WASHER 12	O	1				
022	213622-9	O RING 45		1				
023	318331-6	BEARING BOX		1				
024	911121-2	PAN HEAD SCREW M4X14		4				
025	345464-4	LABYRINTH RING		1				
026	324955-8	SPINDLE A		1				
027	123144-0	TOOLLESS WHEELCOVER 115AK ASSY		1				
C10	213009-5	O RING 4		1				
C20	265180-1	PAN HEAD SCREW M5X16		1				
028	224399-1	INNER FLANGE 45		1				
029	224568-4	LOCK NUT 5/8-45		1				
030	850K98-1	DGA455 NAME PLATE		1				
031	266326-2	TAPPING SCREW 4X18		5				
032	455450-8	DUST COVER R		1				
033	183A52-3	MOTOR HOUSING SET		1				
C10	263005-3	RUBBER PIN 6		2				
D10		INC. 41						
036	632E12-1	SWITCH UNIT		1				
037	234357-9	COMPRESSION SPRING 11		1				
038	142976-6	SWITCH LEVER COMPLETE		1				

Please order the parts with part number.

Print Date 22/3/2021

Model No.DGA455 115MM CORDLESS ANGLE GRINDER

Pieza	Código	Descripción	Info	CTD.	New/Old	Opc. 1	Opc. 2	OBS.
039	142901-7	INDICATOR PANEL COMPLETE		1				
040	650734-1	SWITCH TG73BDS-2		1				
041	183A52-3	MOTOR HOUSING SET		1				
C10	263005-3	RUBBER PIN 6		2				
D10		INC. 33						
042	455449-3	DUST COVER L		1				
043	643899-6	TERMINAL		1				
046	850L09-2	DGA455 SERIAL NO. LABEL		1				
A01	741423-B	4 1/2" GRINDING WHEEL 115X6X22		1				
A02	158237-4	GRIP 36 COMPLETE		1				
A03	782424-9	LOCK NUT WRENCH 28		1				
A04	***DC18RC	DC18RC FAST CHARGER		1				
A05-2	197280-8	BATTERY BL1850B SET		2	*			
A05-3	197280-8	BATTERY BL1850B SET	O	2				
A06	450128-8	BATTERY COVER		1				
A07-1	821551-8	CONNECTOR PLASTIC CASE (TYPE3)		1				
C10	453974-8	LATCH		4				
A08	838175-3	INNER TRAY		1				
A09	809D25-3	DGA455RTJ INDICATION LABEL		1				
A10	809D26-1	DGA455RTJ PLASTIC CASE LABEL		2				
E01	810341-4	CAUTION LABEL		1				

Please order the parts with part number.

Print Date 22/3/2021