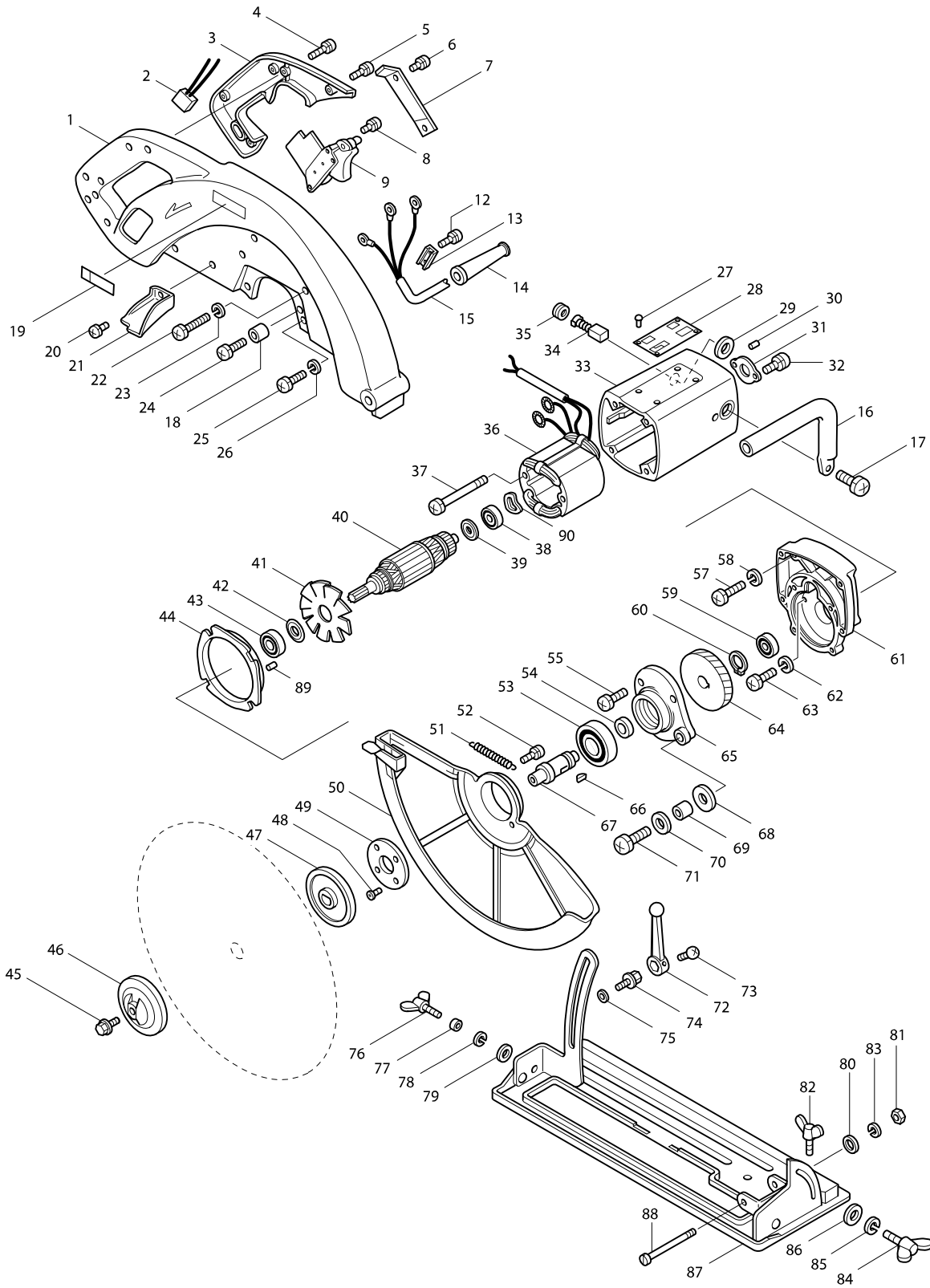


# Model No. 5402 CIRCULAR SAW 415MM



Item	Parts No.	Description	I/C	Qty	N/O	Opt. 1	Opt. 2	Note
001	312966-5	BLADE CASE		1	*			
001-1	312966-5	BLADE CASE	O	1				
003	312870-8	HANDLE COVER F/LOCK		1				
004	911151-3	PAN HEAD SCREW M4X28		1		73181500		
005	911126-2	PAN HEAD SCREW M4X16		3				
006	911106-8	PAN HEAD SCREW M4X8		2		73181500		
007	342488-1	LEAD COVER		1				
008	911106-8	PAN HEAD SCREW M4X8		2		73181500		
009	651007-5	SWITCH NPAHR2-2		1	*			
009-1	651016-4	SWITCH HPAHR2-2	O	1		85366990		
010	911106-8	PAN HEAD SCREW M4X8		2	*	73181500		
011	342487-3	PLATE		1	*			
012A_	911123-8	PAN HEAD SCREW M4X14		2		73181500		
013C_	687600-9	STRAIN RELIEF		1	*			
013C1	687000-3	STRAIN RELIEF	X	1				
014D_	682506-6	CORD GUARD 12-90		1	*			
014D1	682540-6	CORD GUARD 9.3-90	X	1	*	73182990		
014D2	682505-8	CORD GUARD 10-90	O	1				
015D_	662372-7	POWER SUPPLY CORD 1.25-3-5.0		1	*			
015D1	692434-7	POWER SUPPLY CORD 1.0-3-5.0	X	1				
016	273602-7	GRIP		1				
017	911321-4	PAN HEAD SCREW M6X16		1				
018	257542-7	SLEEVE 7		1				
019	819003-1	MAKITA LABEL		1		83100090		
020	911106-8	PAN HEAD SCREW M4X8		1		73181500		
021	343292-1	CHIP GUIDE		1				
022	251273-0	+ PAN HEAD SCREW M6X30		2	*			
022-1	265064-3	+ PAN HEAD SCREW M6X30	O	2				
023	942151-2	SPRING WASHER 6		2	*	73182200		
024-1	911342-6	PAN HEAD SCREW M6X25		1				
025	251272-2	+ PAN HEAD SCREW M6X25		2	*			
025-1	251365-5	PAN HEAD SCREW M6X25	O	2				
026	942151-2	SPRING WASHER 6		2	*	73182200		
027-1	953106-2	RIVET 0-5		2	*	73182990		
028	815030-6	NAME PLATE 5402		1	*			
028-1	863644-5	NAME PLATE 5402	<	1				
029	681002-1	INSULATION WASHER		2		73182200		
030	263005-3	RUBBER PIN 6		2		40169390		
031	285006-1	BEARING COVER 42		1				
032	911211-1	PAN HEAD SCREW M5X12		2		73181500		
033	156185-1	MOTOR HOUSING		1	*			
C10	643653-8	BRUSH HOLDER 6.5-13.5		2	*	82078000		
C20	913206-0	SET SCREW M5X8		2	*	73181500		
D10		INC. 30			*			
033-1	156185-1	MOTOR HOUSING	<	1				
C10	643653-8	BRUSH HOLDER 6.5-13.5		2		82078000		
C20	913206-0	SET SCREW M5X8		2		73181500		
D10		INC. 30						

Item	Parts No.	Description	I/C	Qty	N/O	Opt. 1	Opt. 2	Note
034A1	181044-0	CARBON BRUSH CB-153		1		85452000		
035	643650-4	BRUSH HOLDER CAP 6.5-13.5		2	*	40169390		
035-1	643650-4	BRUSH HOLDER CAP 6.5-13.5	O	2		40169390		
036D_	524077-6	FIELD ASS'Y 230V-250V		1				
C10	654020-2	RING TERMINAL		2		73182990		
C20	654502-4	CONNECTOR P-2		2		73182990		
037-1	911938-3	PAN HEAD SCREW M5X85		2		73181500		
038	211066-7	BALL BEARING 6200LLB		1		84821090		
039	213051-6	DUST SEAL 10		1		40169320		
040D_	514515-6	ARMATURE ASS'Y 230V-250V		1	*			
D10		INC. 38,39,41-43			*			
040D1	517754-7	ARMATURE ASS'Y 240V	O	1				
D10		INC. 38,39,41-43						
041	241314-0	FAN 92		1				
042	213202-1	DUST SEAL 15		1		40169320		
043	211206-7	BALL BEARING 6202LLB		1		84821090		
044	343160-8	BAFFLE PLATE		1				
045	251644-1	HEX. FLANGE HEAD BOLT M8X20		1	*	73181500		
045-1	265408-7	HEX. SOCKET HEAD BOLT M8X20	X	1		73181500		
046	224074-9	OUTER FLANGE 90		1				
047	224182-6	INNER FLANGE 90		1				
048	912116-8	COUNTERSUNK HEAD SCREW M4X12		4				
049-1	285822-1	BEARING RETAINER		1				
050-1	164759-4	SAFETY COVER		1	*			
050-2	165218-1	SAFETY COVER	O	1				
051	231733-8	TENSION SPRING 7		1				
052-1	911109-2	PAN HEAD SCREW M4X8		2		73181500		
053	211306-3	BALL BEARING 6204LLB		1		84821090		
054	257032-0	RING 20		1				
055	911241-2	PAN HEAD SCREW M5X25		4				
057	251208-1	+ PAN HEAD SCREW M5X35		2	*			
057-1	265063-5	+ PAN HEAD SCREW M5X35	O	2				
058	942101-7	SPRING WASHER 5		2	*	73182200		
059	211106-1	BALL BEARING 6201LLB		1		84821090		
060	961060-6	RETAINING RING S-20		1		73182990		
061	157034-5	GEAR HOUSING		1				
D10		INC. 89						
062	942101-7	SPRING WASHER 5		2	*	73182200		
063	251210-4	+ PAN HEAD SCREW M5X25		2	*			
063-1	265066-9	+ PAN HEAD SCREW M5X25	O	2				
064	221623-3	HELICAL GEAR 73		1				
065-1	315774-3	GEAR HOUSING COVER		1				
066	254001-2	WOODRUFF KEY 4		1		84679900		
067	325212-7	SPINDLE		1				
068	262007-6	RUBBER RING 8		1				
069	257541-9	SLEEVE 8		1				
070	253022-1	FLAT WASHER 8		1		84679900		
071-1	911451-1	PAN HEAD SCREW M8X30		1		73181500		

Item	Parts No.	Description	I/C	Qty	N/O	Opt. 1	Opt. 2	Note
072	133014-5	LEVER 98 ASS'Y		1				
	D10	INC. 73						
073	911207-2	PAN HEAD SCREW M5X10		1				
074	251612-4	HEX. BOLT M8X20		1				
075	941201-0	FLAT WASHER 8		1		73182200		
076	924336-2	WING BOLT M6X25		1		73181500		
077	257542-7	SLEEVE 7		1				
078	942151-2	SPRING WASHER 6		1		73182200		
079	253010-8	FLAT WASHER 6		1		73182200		
080	941201-0	FLAT WASHER 8		1	*	73182200		
081	931401-0	HEX. NUT M8		1	*			
081-1	252105-4	HEX. LOCK NUT M8-13	<	1		73181500		
082	924316-8	WING BOLT M6X15		1		73181500		
083	942201-3	SPRING WASHER 8		1	*	73182200		
084	924426-1	WING BOLT M8X20		1		73181500		
085	942201-3	SPRING WASHER 8		1		73182200		
086	253022-1	FLAT WASHER 8		1		84679900		
087-2	134290-4	BASE ASS'Y		1				
088	251405-9	- FLAT HEAD SCREW M8		1		73181500		
089	263005-3	RUBBER PIN 6		1		40169390		
090	253913-6	WAVE WASHER 20		1		84679900		
400	792116-2	CHISEL T. COMBI. SAW BLADE 415		1				
401	164019-4	GUIDE RULE		1	*	84679900		
401-1	164019-4	GUIDE RULE	O	1		84679900		
402	781011-1	WRENCH 22		1		82041110		
403	781203-2	WRENCH 13		1	*	82041120		
403-1	783204-6	HEX. WRENCH 6	X	1		82041120		
404	410047-0	WRENCH HOLDER 5.6		1		82078000		
913	655021-3	PLUG (PSB TYPE)		1	*			