



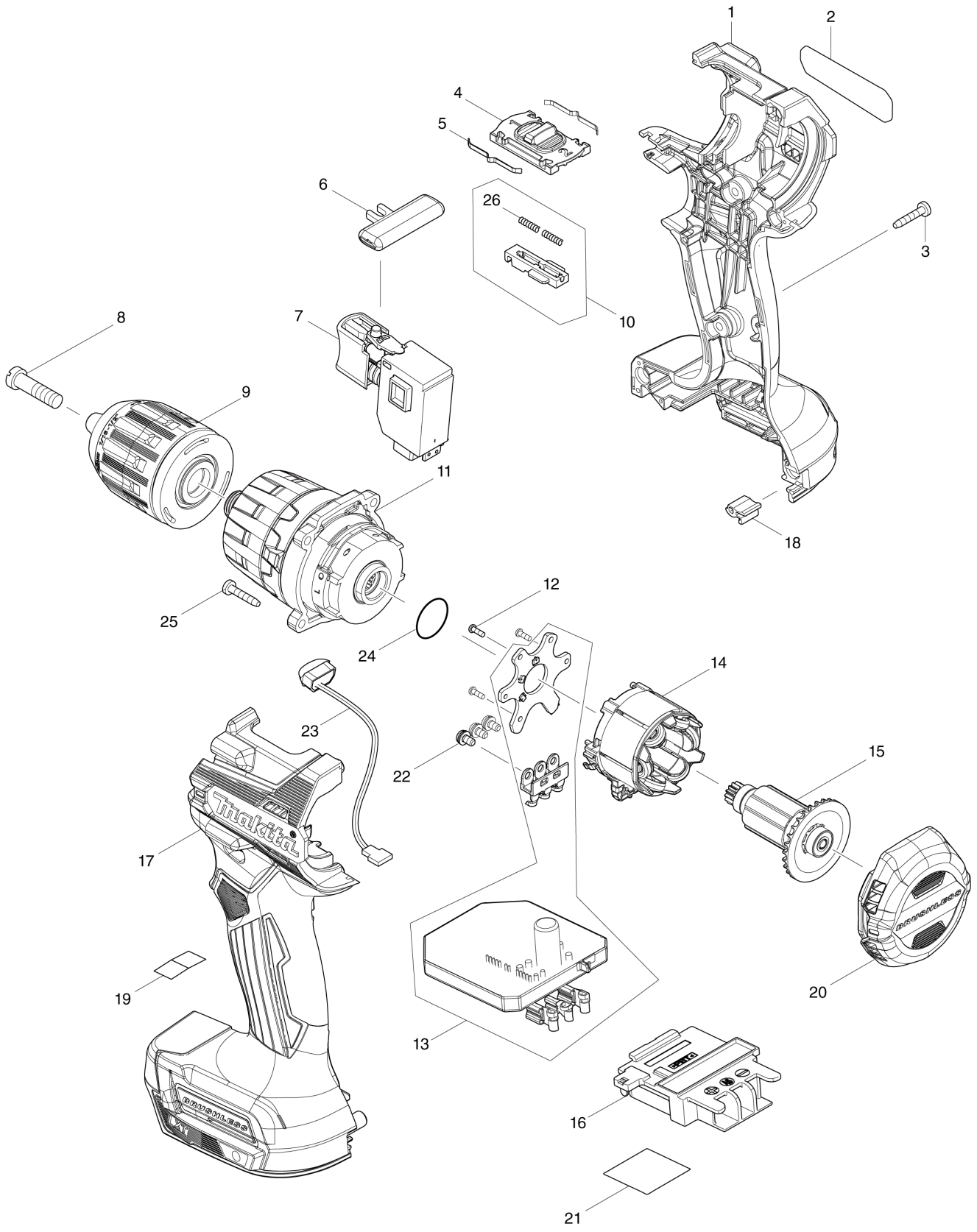
IN	INDIA
----	-------

# Diagram / Parts List

**DHP487**

**CORDLESS HAMMER DRIVER DRILL**

(IN) DHP487 / CORDLESS HAMMER DRIVER DRILL



IN

INDIA

## DHP487 / CORDLESS HAMMER DRIVER DRILL

Item	Sub	Parts No.	Parts Description	Qty	I/C	E/C No.	Close No.	Remark
001A		183S07-6	HOUSING SET	1				
001B		183S07-6	HOUSING SET	1				
001C		183S07-6	HOUSING SET	1				
001D		183S06-8	HOUSING SET	1				
	C10	263005-3	RUBBER PIN 6	2				
	C20	252126-6	HEX. LOCK NUT M4-7	2				
	D10		INC. 17					
002		811B94-0	DHP487 NAME PLATE	1				
003		266429-2	TAPPING SCREW 3X16	7				
004		413310-0	SPEED CHANGE LEVER	1				
005		232493-5	LEAF SPRING	2				
006		419041-9	F/R CHANGE LEVER	1				
007		650689-0	SWITCH C3JW-2B	1				
008		251468-5	- FLAT HEAD SCREW M6X22	1				
009		763256-3	KEYLESS DRILL CHUCK 13	1				
010		127758-7	CHANGE LEVER ASSEMBLY	1				
	D10		INC. 26					
011A		127824-0	GEAR ASSEMBLY	1			D9363	
011B		127824-0	GEAR ASSEMBLY	1			D9363	
011-1A		122B23-1	GEAR ASSEMBLY	1	O	D9363		
011-1B		122B23-1	GEAR ASSEMBLY	1	O	D9363		
011-1C		122B23-1	GEAR ASSEMBLY	1				
011-1D		122B23-1	GEAR ASSEMBLY	1				
012		266490-9	TAPPING SCREW PT 2X6	3				
013		620E45-8	CONTROLLER	1				
014		629A41-9	STATOR	1				
015		619671-8	ROTOR	1				
016		643874-2	TERMINAL	1				
017A		183S07-6	HOUSING SET	1				
017B		183S07-6	HOUSING SET	1				
017C		183S07-6	HOUSING SET	1				
017D		183S06-8	HOUSING SET	1				
	C10	263005-3	RUBBER PIN 6	2				
	C20	252126-6	HEX. LOCK NUT M4-7	2				
	D10		INC. 1					
018		424517-3	CUSHION	1				
020A		413309-5	REAR COVER	1				
020B		413309-5	REAR COVER	1				
020C		413309-5	REAR COVER	1				
020D		413748-9	REAR COVER	1				
021		811C02-7	DHP487 SERIAL NO. LABEL	1				
022		652069-6	FLAT HEAD SCREW M3X6	3				
023		620549-0	LED CIRCUIT	1				
024		213087-5	O-RING 16.5	1			DB053	
024-1		213A10-6	O-RING 16.5	1	O	DB053		
025		266429-2	TAPPING SCREW 3X16	4				
026		233025-1	COMPRESSION SPRING 2	2				
A01		251314-2	+ SCREW M4X12	1				
A02A		346317-0	HOOK	1				
A02B		346317-0	HOOK	1				
A02C		346449-3	HOOK	1				
A02D		346449-3	HOOK	1				
A03		784637-8	+ - BIT 2-45	1				
A04B		821550-0	CONNECTOR PLASTIC CASE (TYPE2)	1				
	C10	453974-8	LATCH	4				
A05B		450128-8	BATTERY COVER	1				
A05C		450128-8	BATTERY COVER	2				
A05D		450128-8	BATTERY COVER	2				
A06B		***DC18RC	DC18RC FAST CHARGER	1				
	D10		COMPO-PARTS					
A06C		***DC18SD	DC18SD BATTERY CHARGER	1				
	D10		COMPO-PARTS					
A06D		***DC18SD	DC18SD BATTERY CHARGER	1				
	D10		COMPO-PARTS					
A07B		197605-6	BATTERY BL1830B SET	2				

A:DHP487Z(N)  
B:DHP487RFJ(H)  
C:DHP487SYX2(H)  
D:DHP487YX2B(H)

Interchange

O : Yes

X : No

&lt; : the new part can be substituted for the current.

&gt; : the current part can be substituted for the new.

S : Interchangeable as a set.

