



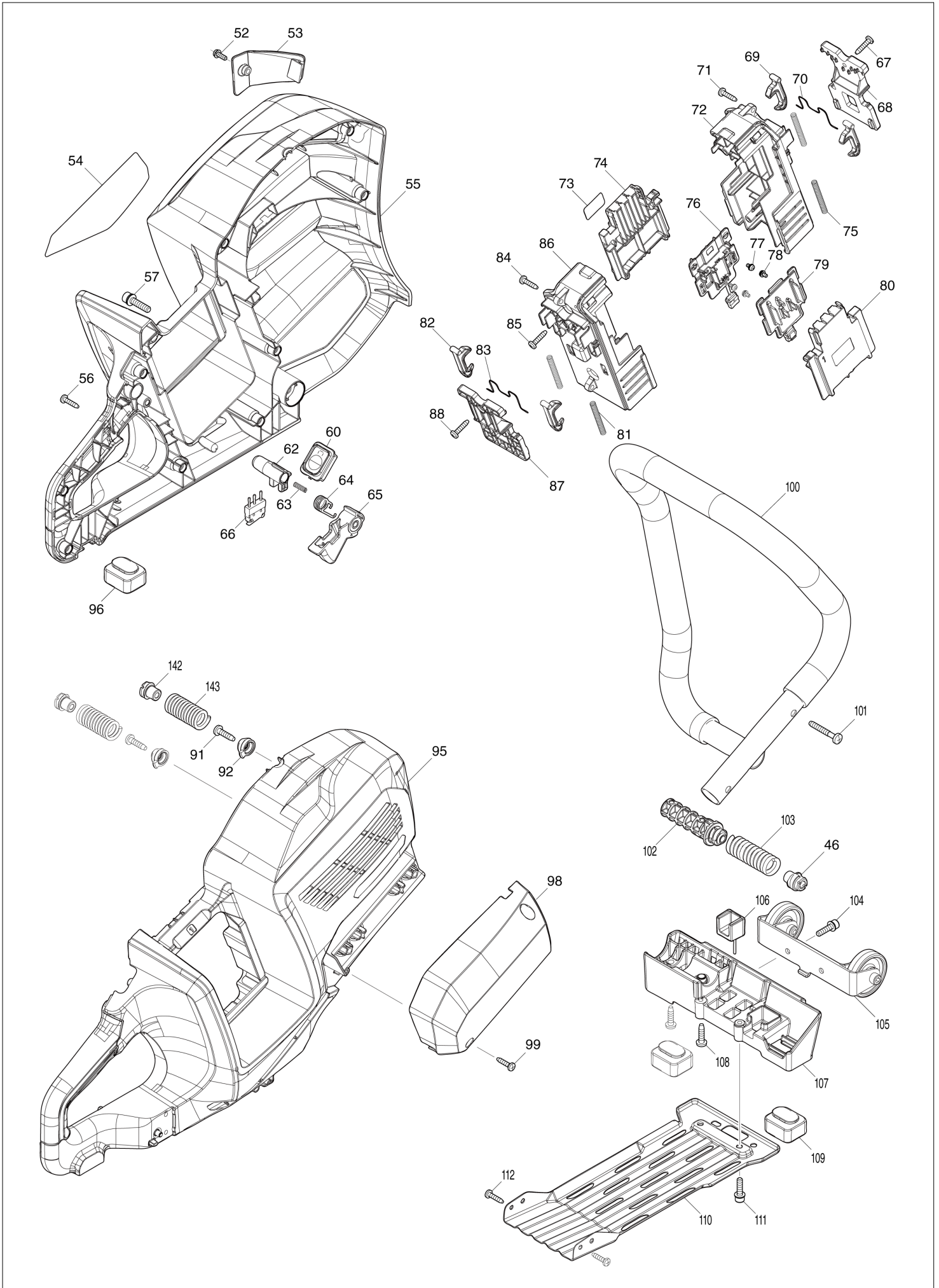
Diagram / Parts List

CE001G

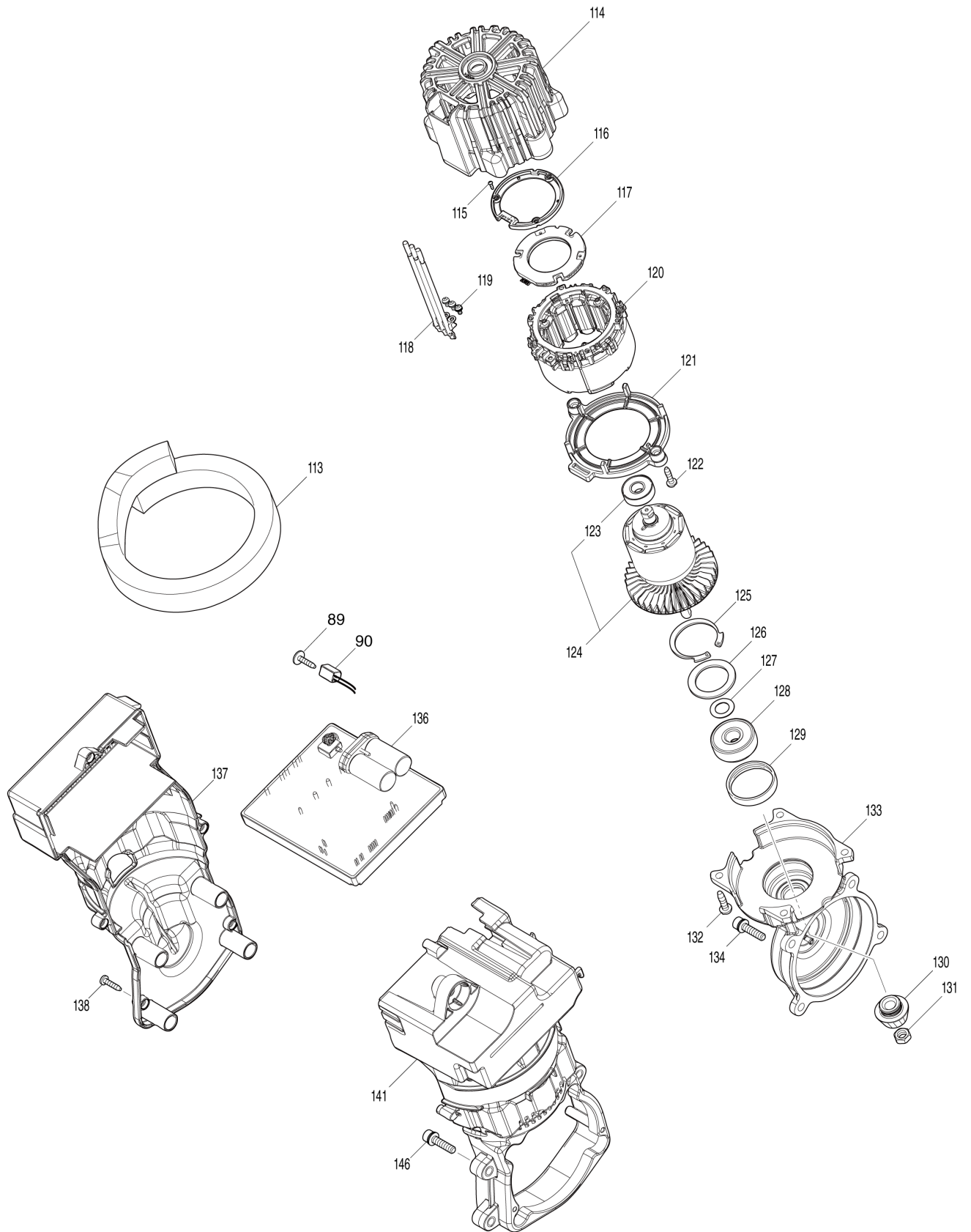
355MM CORDLESS POWER CUTTER



(IN) CE001G / 355MM CORDLESS POWER CUTTER



(IN) CE001G / 355MM CORDLESS POWER CUTTER



IN

INDIA

CE001G / 355MM CORDLESS POWER CUTTER

Item	Sub	Parts No.	Parts Description	Qty	I/C	E/C No.	Close No.	Remark
001		922233-6	H.S.H.BOLT M5X20 WITH WR	2				
002		183U98-9	WHEEL COVER GRIP SET	1				
	D10		INC. 3					
003		183U98-9	WHEEL COVER GRIP SET	1				
	D10		INC. 2					
004		922233-6	H.S.H.BOLT M5X20 WITH WR	2				
005		122B46-9	HOSE ASSEMBLY	1				
006		266326-2	TAPPING SCREW 4X18	2				
007		252306-4	HEX.NUT M10	2				
008		265C26-9	HEX.BOLT M10X21	2				
009		266976-3	HEX. BOLT M8X25	1				
010		224622-4	FLANGE 92	1				
011		224622-4	FLANGE 92	1				
012		424792-1	SLIDING DISK	1				
013		922217-4	HEX. SOCKET HEAD BOLT M5X14	6				
014		347917-9	SPINDLE PLATE 83	1				
015		422822-2	RUBBER RING 56	1				
016		312C31-8	WHEEL COVER 355	1				
017		451485-7	PIN CAP	1				
018		233089-5	COMPRESSION SPRING 12	1				
019		256947-8	SHOULDER PIN 7	1				
020		961012-7	STOP RING E-6	1				
021		312C29-5	CUTTING DEVICE	1				
022		422822-2	RUBBER RING 56	1				
023		424792-1	SLIDING DISK	1				
024		327927-2	SPINDLE	1				
025		211238-4	BALL BEARING 6202LLU	1				
026		257868-7	RING 15	1				
027		211238-4	BALL BEARING 6202LLU	1				
028		257868-7	RING 15	1				
029		254201-4	KEY 4	1				
030		922123-3	HEX. SOCKET HEAD BOLT M4X14	2				
031		347915-3	PULLY BOTTOM PLATE	1				
032		222201-2	PULLEY 17-70.5	1				
033		313415-5	ECCENTRIC DISK	1				
034		267822-3	SPRING WASHER 8	1				
035		264022-6	HEX. NUT M8X1	1				
036		211062-5	BALL BEARING 6000ZZ	1				
037		252429-8	NUT M15-23	1				
038		227922-1	SPIRAL BEVEL GEAR 53	1				
039		265074-0	PAN HEAD SCREW M5X16	3				
040		285049-3	BEARING RETAINER 33-59	1				
041		211278-2	BALL BEARING 6203DDW	1				
042		327926-4	GEAR SHAFT	1				
043		222202-0	PULLEY 17-54.6	1				
044		347918-7	PULLEY PLATE 59	1				
045		265C27-7	HEX.BOLT M8X30	1				
046		312C35-0	SPRING HOLDER C	1				
047		922343-9	H.S.H.BOLT M6X25 WITH WR	1				
048		922233-6	H.S.H.BOLT M5X20 WITH WR	1				
049		312C33-4	SPRING HOLDER A	1				
050		225106-5	SYNCHRO BELT 15-750	1				
051		141G40-2	BELT COVER COMPLETE	1				
	C10	265B09-3	H.S. HEAD BOLT M5X30 WITH WR	3				
052		911118-1	PAN HEAD SCREW M4X12	1				
053		413C66-3	LENS	1				
054		8116C0-0	CE001G NAME PLATE	1				
055		183W18-5	HANDLE SET	1				
	C10	8040V4-6	XGT LOGO LABEL	1				
	D10		INC. 95					
056		266326-2	TAPPING SCREW 4X18	9				
057		922343-9	H.S.H.BOLT M6X25 WITH WR	1				
058		312C34-2	SPRING HOLDER B	1				
059		232729-2	COMPRESSION SPRING 13	1				
060		141G39-7	SWITCH CIRCUIT COMPLETE	1				

Interchange

O : Yes

X : No

< : the new part can be substituted for the current.

> : the current part can be substituted for the new.

S : Interchangeable as a set.

CE001G / 355MM CORDLESS POWER CUTTER

Item	Sub	Parts No.	Parts Description	Qty	I/C	E/C No.	Close No.	Remark
062		413C73-6	LOCK OFF BUTTON	1				
063		232444-8	COMPRESSION SPRING 4	1				
064		232732-3	TORSION SPRING 10	1				
065		413C72-8	SWITCH LEVER	1				
066		632T61-8	SWITCH UNIT	1				
067		266326-2	TAPPING SCREW 4X18	1				
068		413C77-8	LOCK COVER	1				
069		413C76-0	BATTERY ADAPTER LOCK	2				
070		232731-5	LEVER SPRING	1				
071		266326-2	TAPPING SCREW 4X18	2				
072		183U87-4	TERMINAL BOX SET	1				
	C10	263005-3	RUBBER PIN 6	4				
	D10		INC. 86					
073		8116C7-6	CE001G SERIAL NO. LABEL	1				
074		183U89-0	BATTERY ADAPTER SET	1			Y08787	
	D10		INC. 80				Y08787	
074-1		413C74-4	BATTERY ADAPTER L	1	X	Y08787		
075		232730-7	COMPRESSION SPRING 5	2				
076		632T08-2	TERMINAL UNIT	1				
077		652031-1	PAN HEAD SCREW M3X6	2				
078		652031-1	PAN HEAD SCREW M3X6	2				
079		632T08-2	TERMINAL UNIT	1				
080		183U89-0	BATTERY ADAPTER SET	1			Y08787	
	D10		INC. 74				Y08787	
080-1		413C75-2	BATTERY ADAPTER R	1	X	Y08787		
081		232730-7	COMPRESSION SPRING 5	2				
082		413C76-0	BATTERY ADAPTER LOCK	2				
083		232731-5	LEVER SPRING	1				
084		266326-2	TAPPING SCREW 4X18	2				
085		266326-2	TAPPING SCREW 4X18	2				
086		183U87-4	TERMINAL BOX SET	1				
	C10	263005-3	RUBBER PIN 6	4				
	D10		INC. 72					
087		413C77-8	LOCK COVER	1				
088		266326-2	TAPPING SCREW 4X18	1				
089		265620-9	TAPPING SCREW FLANGE 4X18	1				
090		620H50-3	LED CIRCUIT	1				
091		266021-4	TAPPING SCREW 5X20	2				
092		312C33-4	SPRING HOLDER A	2				
095		183W18-5	HANDLE SET	1				
	C10	8040V4-6	XGT LOGO LABEL	1				
	D10		INC. 55					
096		422823-0	REAR FOOT	1				
098		413C69-7	HOSE COVER	1				
099		266326-2	TAPPING SCREW 4X18	2				
100		327928-0	FRONT GRIP 26	1				
101		266373-3	TAPPING SCREW 5X35	2				
102		413C71-0	SPRING HOLDER D	1				
103		232728-4	COMPRESSION SPRING 12	1				
104		922233-6	H.S.H.BOLT M5X20 WITH WR	2				
105		122B47-7	CASTER ASSEMBRY	1				
106		424788-2	DAMPER	1				
107		312C32-6	STAND SUPPORT	1				
108		266021-4	TAPPING SCREW 5X20	2				
109		422823-0	REAR FOOT	2				
110		347916-1	BOTTOM GUARD	1				
111		922233-6	H.S.H.BOLT M5X20 WITH WR	2				
112		266326-2	TAPPING SCREW 4X18	2				
113		422821-4	SPONGE SHEET	1				
114		413C70-2	MOTOR HOUSING	1				
115		266490-9	TAPPING SCREW PT 2X6	3				
116		687B69-9	STOPPER	1				
117		620E26-2	CONTROLLER B	1				
118		632T58-7	LEAD UNIT	1				
119		652031-1	PAN HEAD SCREW M3X6	3				

Interchange
O : Yes
X : No
< : the new part can be substituted for the current.
> : the current part can be substituted for the new.
S : Interchangeable as a set.

