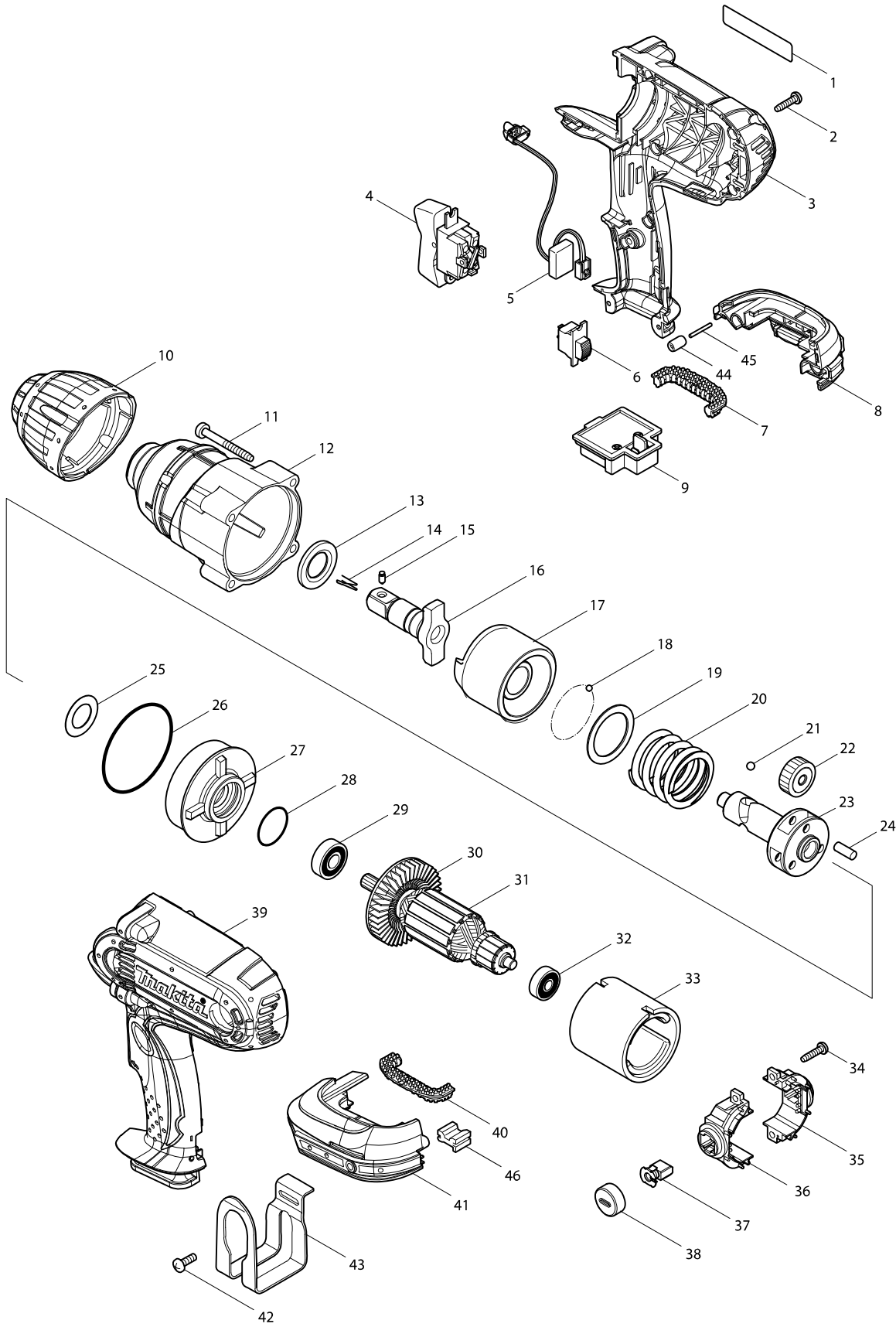


# Model No. DTW450 CORDLESS IMPACT WRENCH



# Model No. DTW450 CORDLESS IMPACT WRENCH

Item	Parts No.	Description	I/C	QTY	N/O	Opt. 1	Opt. 2	NOTE
001	850H18-7	DTW450 NAME PLATE		1				
002	265995-6	TAPPING SCREW 4X18		9		73181500		
003	188434-8	HOUSING SET		1		84679900		
C10	263025-7	RUBBER PIN 4		4		40169390		
D10		INC. 39						
004	651572-4	SWITCH SL220SD-19		1		85366990		
005	631738-2	LIGHT CIRCUIT		1		84679900		
006	638503-0	SWITCH UNIT		1		85366990		
007	424042-4	CUSHION RUBBER		1		40169390		
008	187873-9	BATTERY HOUSING SET		1		84679900		
C10	263005-3	RUBBER PIN 6		2		40169390		
D10		INC. 41						
009C	643843-3	TERMINAL		1	*	73182990		
009D	643843-3	TERMINAL		1	*	73182990		
009-1C	643844-1	TERMINAL	O	1		73182990		
009-1D	643844-1	TERMINAL	O	1		73182990		
009-1E	643844-1	TERMINAL		1		73182990		
010	421971-2	BUMPER		1		84679900		
011	266056-5	TAPPING SCREW 5X45		4		73181500		
012	158076-2	HAMMER CASE COMPLETE		1		84679900		
013	267268-3	FLAT WASHER 19		1		73182200		
014	231907-1	RING SPRING 10		1		73209090		
016	324406-1	ANVIL		1	*	82079090		
016-1	326983-9	ANVIL	<	1		82079090		
017	324697-4	HAMMER		1		82052000		
018	216008-6	STEEL BALL 4		29		73182990		
019	267340-1	FLAT WASHER 32		2		73182200		
020	234338-3	COMPRESSION SPRING 33		1		73209090		
021	216007-8	STEEL BALL 6.4		2		73182990		
022	227171-0	SPUR GEAR 23		3		84679900		
023	310185-7	SPINDLE		1		84679900		
024	256033-5	PIN 6		3		73182990		
025	253794-8	FLAT WASHER 18		1		84679900		
026	213722-5	O RING 63		1		40169320		
027	227172-8	INTERNAL GEAR 53		1		84679900		
028	213407-3	O RING 26		1		40169320		
029	210059-1	BALL BEARING 6000DDW		1		84821090		
030	241850-6	FAN 60		1		84145190		
031	519199-5	ARMATURE ASS'Y 18V		1		85030090		
D10		INC. 29,30,32						
032	210025-8	BALL BEARING 627LLB		1		84821090		
033	638107-8	YOKE UNIT		1		84679900		
034	265995-6	TAPPING SCREW 4X18		2		73181500		
035	643818-2	BRUSH HOLDER		1	*	82078000		
035-1	643531-2	BRUSH HOLDER	O	1				
036	643823-9	BRUSH HOLDER		1	*	82078000		
036-1	643532-0	BRUSH HOLDER	O	1				
037	194435-6	CARBON BRUSH CB-441		1		85452000		

# Model No. DTW450 CORDLESS IMPACT WRENCH

Item	Parts No.	Description	I/C	QTY	N/O	Opt. 1	Opt. 2	NOTE
038C	643941-3	BRUSH HOLDER CAP		2	*	82078000		
038D	643941-3	BRUSH HOLDER CAP		2	*	82078000		
038-1C	643829-7	HOLDER CAP	<	2		82078000		
038-1D	643829-7	HOLDER CAP	<	2		82078000		
038-1E	643829-7	HOLDER CAP		2		82078000		
039	188434-8	HOUSING SET		1		84679900		
C10	263025-7	RUBBER PIN 4		4		40169390		
D10		INC. 3						
040	424042-4	CUSHION RUBBER		1		40169390		
041	187873-9	BATTERY HOUSING SET		1		84679900		
C10	263005-3	RUBBER PIN 6		2		40169390		
D10		INC. 8						
042	251314-2	+ SCREW M4X12		1		73181500		
043	345736-7	HOOK		1		73182990		
044	263036-2	RUBBER PIN 5		1		40169390		
045	268184-2	PIN 1.5		1		73182990		
046C	424026-2	CUSHION		1	*	40169390		
046D	424026-2	CUSHION		1	*	40169390		
046-1C	424476-1	CUSHION	O	1		40169390		
046-1D	424476-1	CUSHION	O	1		40169390		
046-1E	424476-1	CUSHION		1		40169390		
A01D	***DC18RC	DC18RC FAST CHARGER		1				
A01E	***DC18RC	DC18RC FAST CHARGER		1				
A02D	194204-5	BATTERY BL1830 SET		2	*	85076000		
A02-1D	194204-5	BATTERY BL1830 SET	O	2	*	85076000		
A02-1E	197265-4	BATTERY BL1840B SET		2	*	85068090		
A02-2D	197605-6	BATTERY BL1830B SET	<	2		85076000		
A02-2E	198012-6	BATTERY BL1840B SET	<	2				
A03D	450128-8	BATTERY COVER		1		39269099		
A03E	450128-8	BATTERY COVER		1		39269099		
A04D	141644-8	PLASTIC CASE COMPLETE		1				
C10	163467-4	LATCH		2		73182990		
A04E	141644-8	PLASTIC CASE COMPLETE		1				
C10	163467-4	LATCH		2		73182990		
A05D	804G21-4	DTW450RFE MODEL NO. LABEL		1	*			
A05-1D	807N25-7	DTW450RFE MODEL NO. LABEL	O	1				
A05-1E	807N34-6	DTW450RME MODEL NO. LABEL		1				