



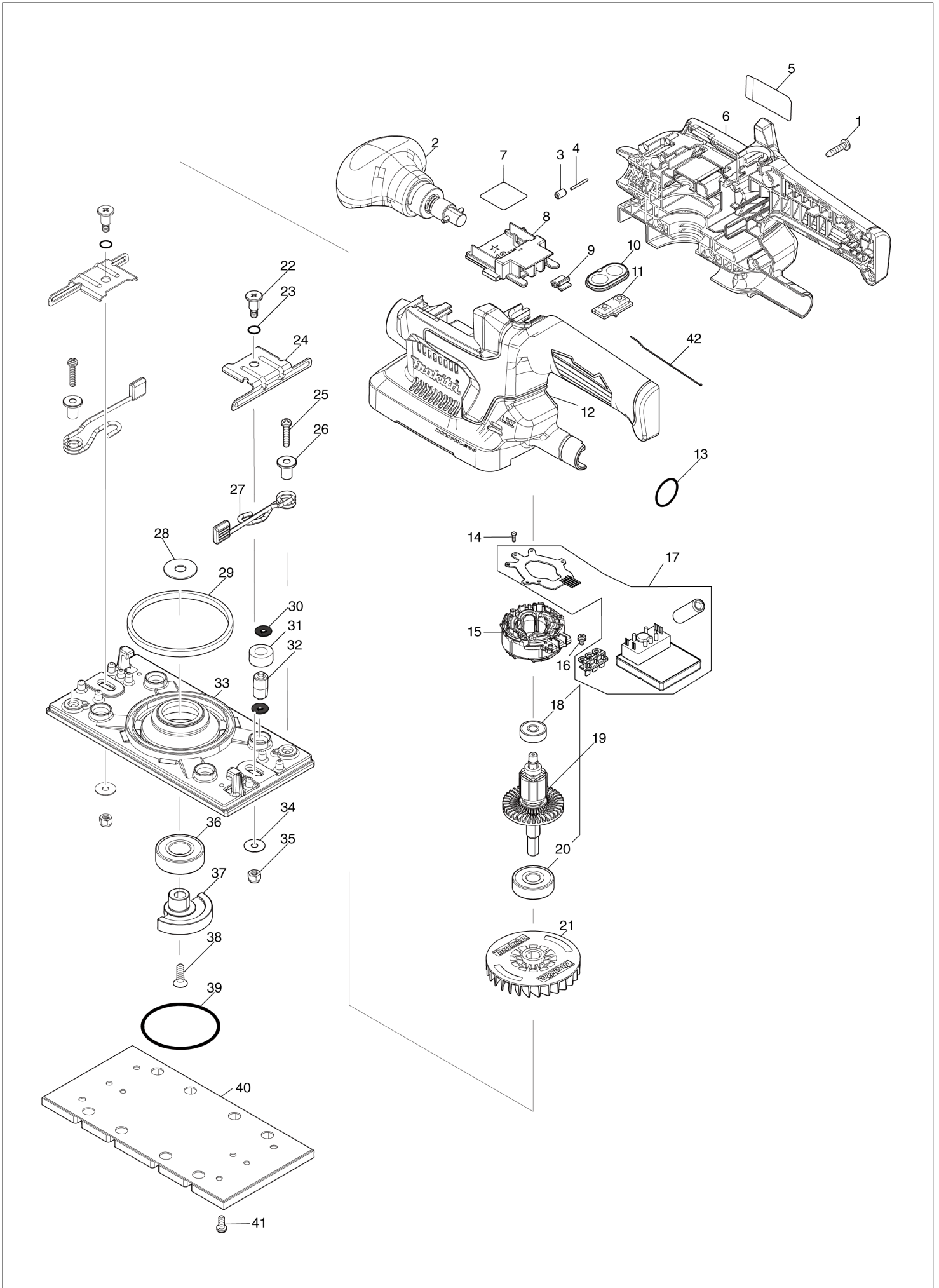
Diagram / Parts List

DBO380

CORDLESS FINISHING SANDER



(IN) DBO380 / CORDLESS FINISHING SANDER



IN**INDIA****DBO380 / CORDLESS FINISHING SANDER**

Item	Sub	Parts No.	Parts Description	Qty	I/C	E/C No.	Close No.	Remark
001		265995-6	TAPPING SCREW 4X18	9				
002		122A91-8	FRONT GRIP ASSEMBLY	1				
003		263036-2	RUBBER PIN 5	1				
004		268284-8	PIN 1.5	1				
005		8111J0-9	DBO380 NAME PLATE	1				
006		183T94-1	HOUSING SET	1				
	C10	263005-3	RUBBER PIN 6	2				
	D10		INC. 12					
007		8111J6-7	DBO380 SERIAL NO. LABEL	1				
008		643874-2	TERMINAL	1				
009		424517-3	CUSHION	1				
010		141E90-5	SWITCH PLATE COMPLETE	1				
011		632K92-3	SWITCH UNIT	1				
012		183T94-1	HOUSING SET	1				
	C10	263005-3	RUBBER PIN 6	2				
	D10		INC. 6					
013		213315-8	O RING 19	1				
014		266490-9	TAPPING SCREW PT 2X6	3				
015		629491-2	STATOR	1				
016		652069-6	FLAT HEAD SCREW M3X6	3				
017		620G25-6	CONTROLLER	1				
018		210022-4	BALL BEARING 626DDW	1				
019		519705-6	ROTOR ASSY	1				
	D10		INC. 18,20					
020		211087-9	BALL BEARING 6200DDW	1				
021		240230-3	FAN 68	1				
022		266511-7	+ FLAT FILLISTER HEAD SCREW M5	2				
023		213045-1	O-RING 6	2				
024		346102-1	PAPER CLAMP	2				
025		911136-9	PAN HEAD SCREW M4X20	2				
026		310300-3	SPRING GUIDE	2				
027		162279-2	LEVER COMPLETE	2				
028		267353-2	FLAT WASHER 8	1				
029		423469-5	SPONGE 7X105X3	1				
030		213983-7	O RING 4	8				
031		424056-3	SPONGE SLEEVE 9	4				
032		318151-8	FOOT	4				
033		318484-1	BASE	1				
034		253807-5	FLAT WASHER 5	2				
035		252103-8	HEX. LOCK NUT M5-8	2				
036		211228-7	BALL BEARING 6202DDW	1				
037		313395-5	BALANCER	1				
038		912222-9	COUNTERSUNK HEAD SCREW M5X16	1				
039		213656-2	O RING 53	1				
040		140441-9	PAD COMPLETE	1				
041		911111-5	PAN HEAD SCREW M4X10 WITH W	4				
042		327983-2	EARTH WIRE	1				
A01		140115-2	DUST BAG COMPLETE	1				
A02		451271-6	PUNCH PLATE	1				
A03		A-31267	ABRASIVE PAPER 93X228 #120	1				
A04		422807-8	BATTERY PROTECTOR	1				
A05B		450128-8	BATTERY COVER	1				
A06B		***DC18RC	DC18RC FAST CHARGER	1				
	D10		COMPO-PARTS					
A07B		198013-4	BATTERY BL1850B SET	2				
A08B		821551-8	CONNECTOR PLASTIC CASE (TYPE3)	1				
	C10	453974-8	LATCH	4				
A09B		8351P0-7	INNER TRAY	1				
A10B		8043D8-0	DBO380RTJ PLASTIC CASE LABEL	2				
A11B		8043D7-2	DBO380RTJ INDICATION LABEL	1				

B:DBO380RTJ(H)

Interchange

O : Yes

X : No

< : the new part can be substituted for the current.

> : the current part can be substituted for the new.

S : Interchangeable as a set.