



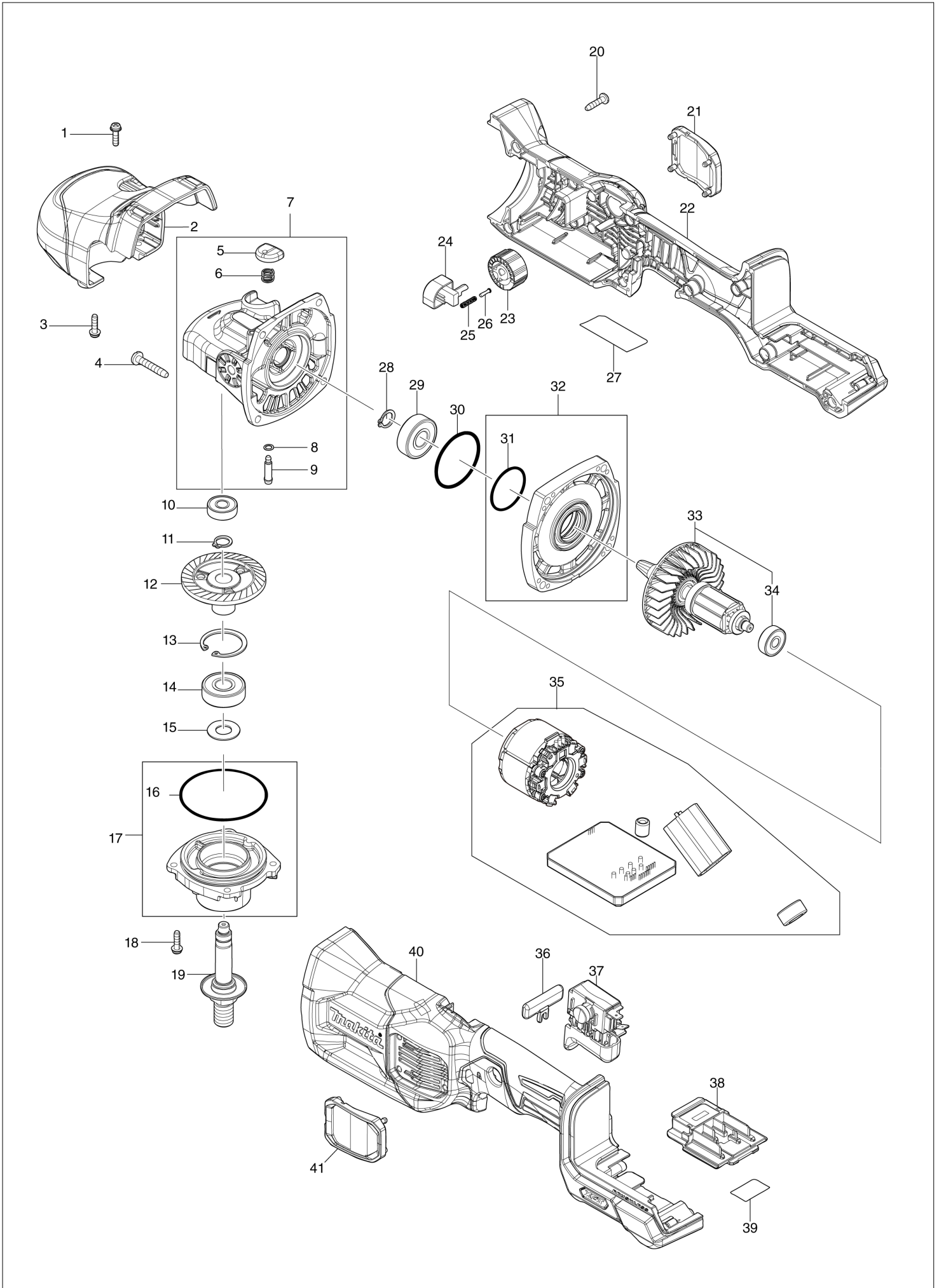
Diagram / Parts List

PV001G

180MM CORDLESS POLISHER



(IN) PV001G / 180MM CORDLESS POLISHER



IN	INDIA
-----------	--------------

PV001G / 180MM CORDLESS POLISHER

Item	Sub	Parts No.	Parts Description	Qty	I/C	E/C No.	Close No.	Remark
001		911128-8	P.H.SCREW M4X16 WITH WR	2				
002		413F66-1	HEAD COVER	1				
003		911128-8	P.H.SCREW M4X16 WITH WR	2				
004		266173-1	TAPPING SCREW 5X30	4				
005		412234-7	PIN CAP	1				
006		233072-2	COMPRESSION SPRING 8	1				
007		136628-9	GEAR HOUSING ASS'Y	1				
	C10	263002-9	RUBBER PIN 4	1				
	D10		INC. 5,6,8,9					
008		213960-9	O RING 5	1				
009		256546-6	SHOULDER PIN 4	1				
010		210029-0	BALL BEARING 608ZZ	1				
011		961052-5	RETAINING RING (EXT) S-12	1				
012		227953-0	SPIRAL BEVEL GEAR 52	1				
013		962151-6	RETAINING RING R-32	1				
014		211106-1	BALL BEARING 6201LLB	1				
015		267113-2	FLAT WASHER 12	1				
016		213654-6	O RING 60	1				
017		136629-7	BEARING BOX ASS'Y	1				
	D10		INC. 16					
018		911128-8	P.H.SCREW M4X16 WITH WR	4				
019		141J24-8	SPINDLE COMPLETE	1				
020		265995-6	TAPPING SCREW 4X18	10				
021		422871-9	DUST COVER	1				
022		183V37-5	MOTOR HOUSING SET	1				
	C10	263005-3	RUBBER PIN 6	2				
	C20	8005T5-8	XGT LOGO LABEL	1				
	D10		INC. 40					
023		271472-8	DIAL 28	1				
024		620415-1	SUB CONTROLLER	1				
025		233002-3	COMPRESSION SPRING 3	1				
026		255058-6	RIVET 2	1				
027		8115Y5-8	PV001G NAME PLATE	1				
028		961052-5	RETAINING RING (EXT) S-12	1				
029		211137-0	BALL BEARING 6201LLU	1				
030		213842-5	O-RING 40	1				
031		213459-4	O RING 32	1				
032		136630-2	GEAR HOUSING COVER ASS'Y	1				
	D10		INC. 31					
033		519738-1	ROTOR ASS'Y	1				
	D10		INC. 34					
034		210023-2	BALL BEARING 627DDW	1				
035		629B10-6	STATOR COMPLETE	1				
036		458972-7	LOCK OFF BUTTON	1				
037		650020-0	SWITCH C3JR-4B-2L	1				
038		632P65-6	TERMINAL UNIT	1				
039		8116A3-0	PV001G SERIAL NO. LABEL	1				
040		183V37-5	MOTOR HOUSING SET	1				
	C10	263005-3	RUBBER PIN 6	2				
	C20	8005T5-8	XGT LOGO LABEL	1				
	D10		INC. 22					
041		422871-9	DUST COVER	1				
A01		262542-4	SLEEVE 18	1				
A02		413F67-9	LOOP HANDLE	1				
A03		743053-3	PAD 165	1				
A04		192629-7	WOOL PAD 180	1				
A05		266171-5	HEX. SOCKET HEAD BOLT M8X25	2				
A06		783204-6	HEX. WRENCH 6	1				
A07		158237-4	GRIP 36 COMPLETE	1				
A08		422871-9	DUST COVER	2				
A09B		***DC40RA	DC40RA FAST CHARGER	1				
	D10		COMPO-PARTS					
A10B		191B31-3	BATTERY BL4040 SET	1				
A11B		832411-9	TOOL BAG	1				

B:PV001GM101(H)

Interchange
 O : Yes
 X : No
 < : the new part can be substituted for the current.
 > : the current part can be substituted for the new.
 S : Interchangeable as a set.