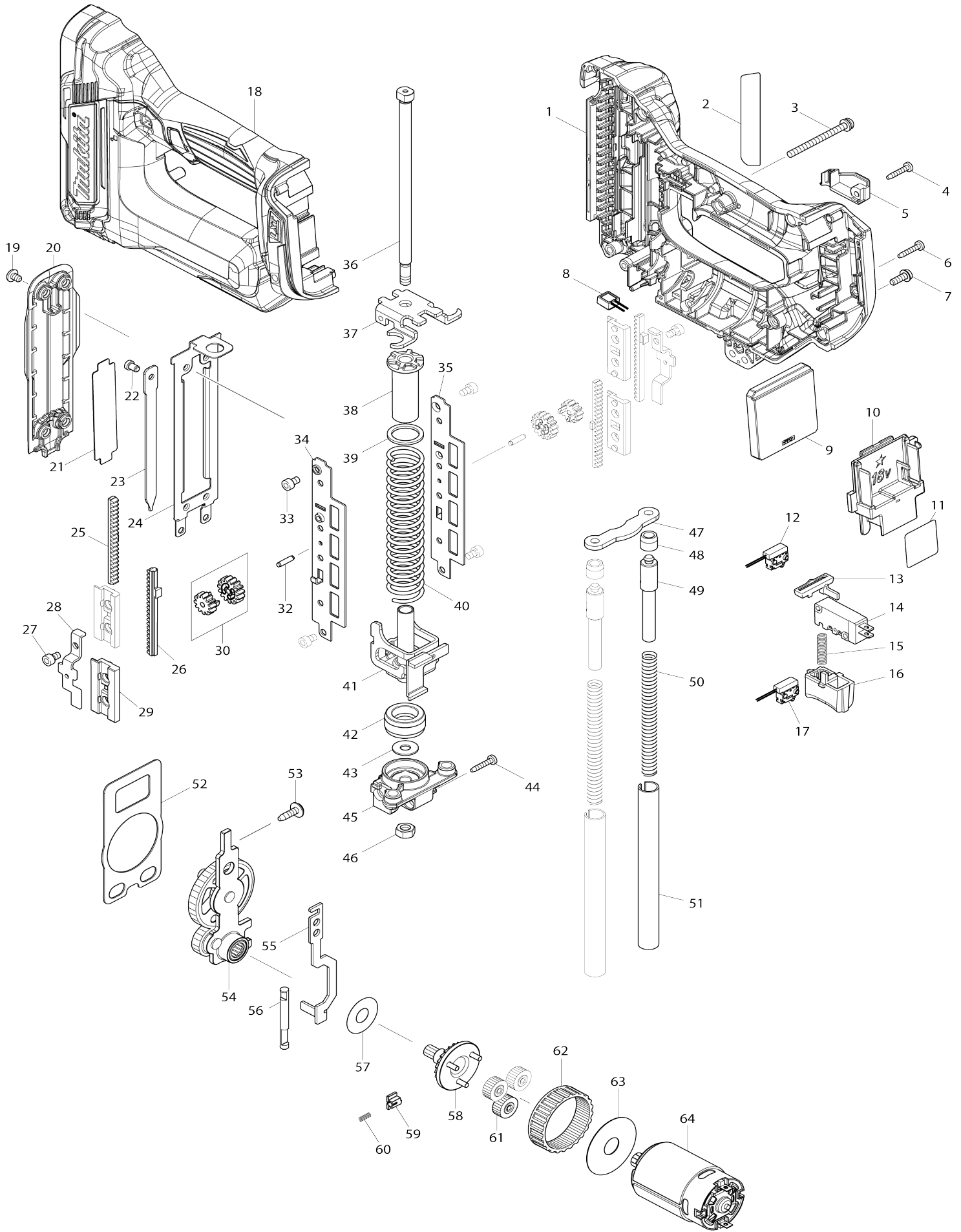
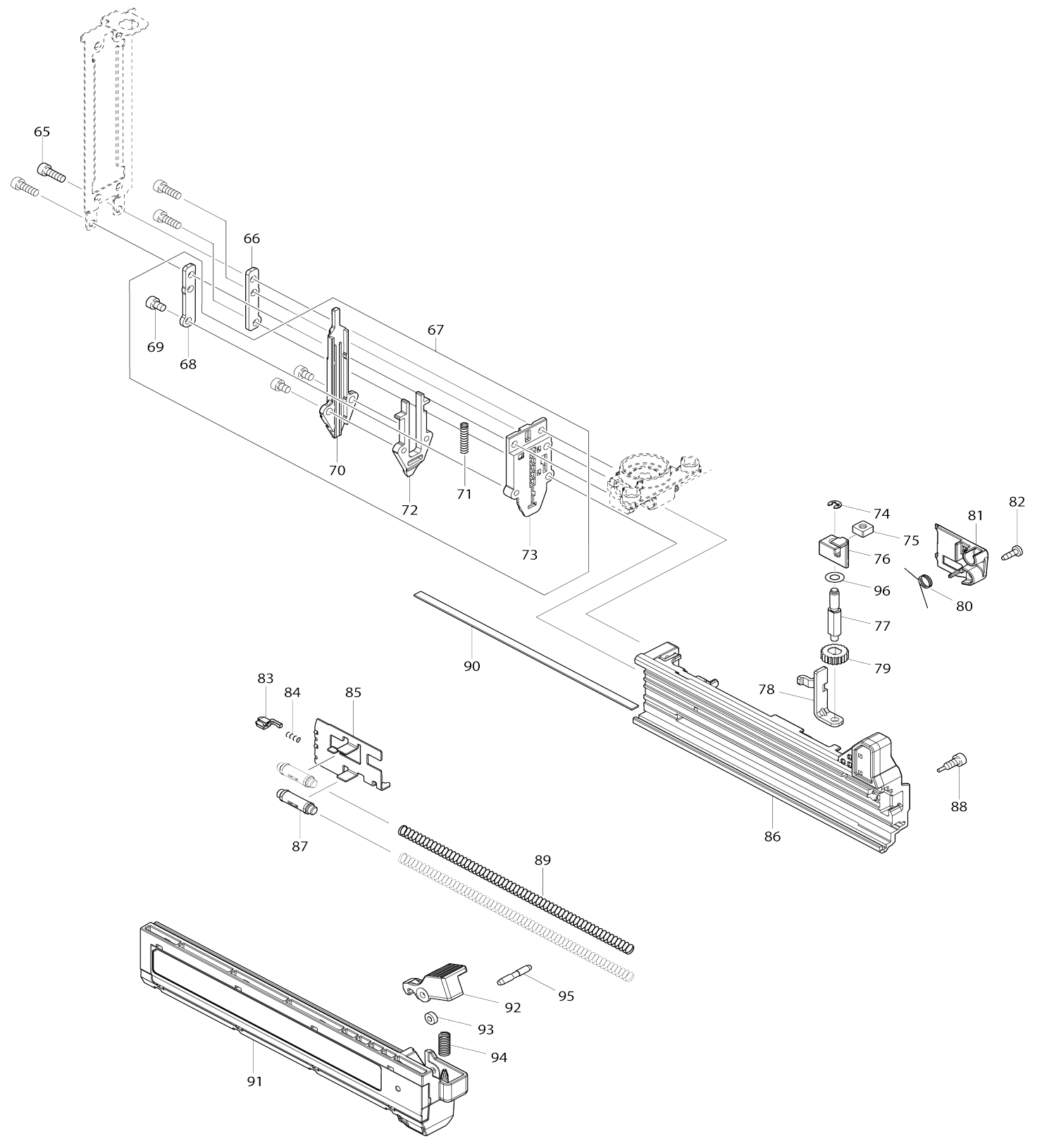


Model No.DFN350 35MM CORDLESS BRAD NAILER



Model No.DFN350 35MM CORDLESS BRAD NAILER



Model No.DFN350 35MM CORDLESS BRAD NAILER

Item No.	Parts No.	Description	Interchangability	Q'ty	New/Old	Note1	Note2
001	183L67-6	HOUSING SET		1			
C10	263005-3	RUBBER PIN 6		2			
C20	252126-6	HEX. LOCK NUT M4-7		2			
C30	931102-0	HEX. NUT M4		1			
D10		INC. 18					
002	855T69-7	DFN350 NAME PLATE		1			
003	911173-3	PAN HEAD SCREW M4X45		1			
004	266130-9	TAPPING SCREW BIND PT 3X16		1			
005	457385-9	HOUSING R COVER		1			
006	266130-9	TAPPING SCREW BIND PT 3X16		8			
007	911118-1	PAN HEAD SCREW M4X12		2			
008	620507-6	LED CIRCUIT		1			
009	632N38-7	CONTROLLER UNIT		1			
010	643860-3	TERMINAL		1			
011	855T76-0	DFN350 SERIAL NO. LABEL		1			
012	632G60-2	SWITCH UNIT		1			
013	456799-9	TRIGGER LOCK		1			
014	651910-0	SWITCH D2VW-01-3HS		1			
015	232370-1	COMPRESSION SPRING 5		1			
016	457386-7	TRIGGER		1	*		
016-1	412772-9	TRIGGER	<	1			
017	632K06-2	SWITCH UNIT		1			
018	183L67-6	HOUSING SET		1			
C10	263005-3	RUBBER PIN 6		2			
C20	252126-6	HEX. LOCK NUT M4-7		2			
C30	931102-0	HEX. NUT M4		1			
D10		INC. 1					
019	915101-0	BINDING HEAD SCREW M4X6		4			
020	459369-3	FRONT COVER		1			
021	347528-0	UPPER PLATE		1			
022	256882-0	FLAT FILLISTER HD. PIN 4		1			
023	347519-1	DRIVER		1			
024	347521-4	RAIL		1			
025	310924-5	COUNTER WEIGHT A		2	*		
025-1	313421-0	COUNTER WEIGHT A	<	2			
026	310925-3	COUNTER WEIGHT B		2			
027	251566-5	H.S.H BOLT M4X6 WITH W		2			
028	347146-4	PINION GUIDE		2			
029	457390-6	COUNTER WEIGHT HOLDER		4	*		
029-1	413330-4	COUNTER WEIGHT HOLDER	O	4			
030	136104-3	SPUR GEAR ASSEMBLY		2			
032	326902-5	PINION SHAFT		2			
033	266199-3	HEX.SOCKET HEAD BOLT M4X6		4			
034	347145-6	GUIDE RAIL R		1			
035	347144-8	GUIDE RAIL L		1			
036	326903-3	GUIDE BOLT		1			
037	347526-4	BOTTOM PLATE		1	*		

037-1	347728-2	BOTTOM PLATE	S	1		
038	459311-4	SPRING HOLDER		1		
039	347522-2	SPRING BASE		1		
040	232511-9	COMPRESSION SPRING 17		1		
041	347524-8	HAMMER		1	*	
041-1	347657-9	HAMMER	<	1	*	
041-2	347735-5	HAMMER	S	1		
042	422457-9	CUSHION		1		
043	253804-1	FLAT WASHER 6		1		
044	266130-9	TAPPING SCREW BIND PT 3X16		1	*	
045	319824-6	HOLDER		1	*	
045-1	319965-8	HOLDER	<	1		
046	252273-3	HEX. NUT M6		1		
047	347527-2	COUNTER STOPPER		1	*	
047-1	347729-0	COUNTER STOPPER	S	1		
048	422456-1	COUNTER CUSHION		2	*	
048-1	422592-3	COUNTER CUSHION	S	2		
049	326904-1	WEIGHT		2	*	
049-1	327591-9	WEIGHT	S	2		
050	232363-8	COMPRESSION SPRING 7		2		
051	327328-4	GUIDE PIPE		2	*	
051-1	327592-7	GUIDE PIPE	S	2		
052	347525-6	GEAR PLATE		1		
053	266901-4	TAPPING SCREW 4X14		1		
054	140K45-3	SPUR GEAR 61 COMPLETE		1	*	
054-1	140Y96-0	SPUR GEAR 61 COMPLETE	<	1		
055	347139-1	LOCK ARM		1		
056	327327-6	LOCK PIN		1		
057	253353-8	THIN WASHER 10		1		
058	140K48-7	SPUR GEAR 8 COMPLETE		1		
059	310945-7	LOCK BLOCK		1		
060	232513-5	COMPRESSION SPRING 3		1		
061	221961-3	SPUR GEAR 27		3		
062	227166-3	INTERNAL GEAR 69		1		
063	267053-4	FLAT WASHER 12		1		
064	629408-5	DC MOTOR		1		
065	922117-8	HEX. SOCKET HEAD BOLT M4X12		4	*	
065-1	922127-5	HEX. SOCKET HEAD BOLT M4X16	S	2		
066	347523-0	PLATE		1		
067	127291-9	DRIVER GUIDE ASSEMBLY		1		
D10		INC. 68-73				
068	347523-0	PLATE		1		
069	922102-1	HEX. SOCKET HEAD BOLT M4X6		3		
070	310942-3	DRIVER GUIDE		1		
071	232512-7	COMPRESSION SPRING 3		1		
072	310943-1	CENTER PLATE		1		
073	310941-5	SET PLATE		1		
074	961017-7	STOP RING E-3		1		
075	264050-1	SQUARE NUT M5-8		1	*	
075-1	264050-1	SQUARE NUT M5-8	S	1		
076	459309-1	CONTACT ARM		1	*	
076-1	412237-1	CONTACT ARM	<	1	*	

076-2	412726-6	CONTACT ARM	S	1		
077	327326-8	ADJUSTER SHAFT		1		
078	347529-8	ARM		1		
079	459310-6	ADJUSTER		1		
080	232514-3	TORSION SPRING 7		1		
081	459312-2	ADJUSTER COVER		1		
082	266007-8	TAPPING SCREW BIND PT 3X10		1		
083	310176-8	STOPPER		1		
084	233018-8	COMPRESSION SPRING 3		1		
085	347520-6	PUSHER		1		
086	459305-9	MAGAZINE		1		
087	459313-0	SLEEVE		2		
088	265A52-6	HEX.SOCKET HEAD BOLT M4X14		1		
089	234325-2	COMPRESSION SPRING 6		2		
090	346774-2	NAIL PLATE		1		
091	140K97-4	SLIDE DOOR COMPLETE		1		
092	457388-3	LEVER		1		
093	262054-7	URETHANE RING 3		1		
094	233117-6	COMPRESSION SPRING 6		1		
095	256877-3	PIN 3		1		
096	253334-2	THIN WASHER 5		1	*	
096-1	267010-2	FLAT WASHER 5	S	1		
097	922117-8	HEX. SOCKET HEAD BOLT M4X12	S	2		
A02	251314-2	+ SCREW M4X12		1		
A03	346317-0	HOOK		1		
A04	422464-2	NOSE ADAPTER		1		
A05	783201-2	HEX. WRENCH 3		1		
006-1	266130-9	TAPPING SCREW BIND PT 3X16		8		
A09	197280-8	BATTERY BL1850B SET		1		

Please state Parts No. when your order.

Print Date 10/24/2023