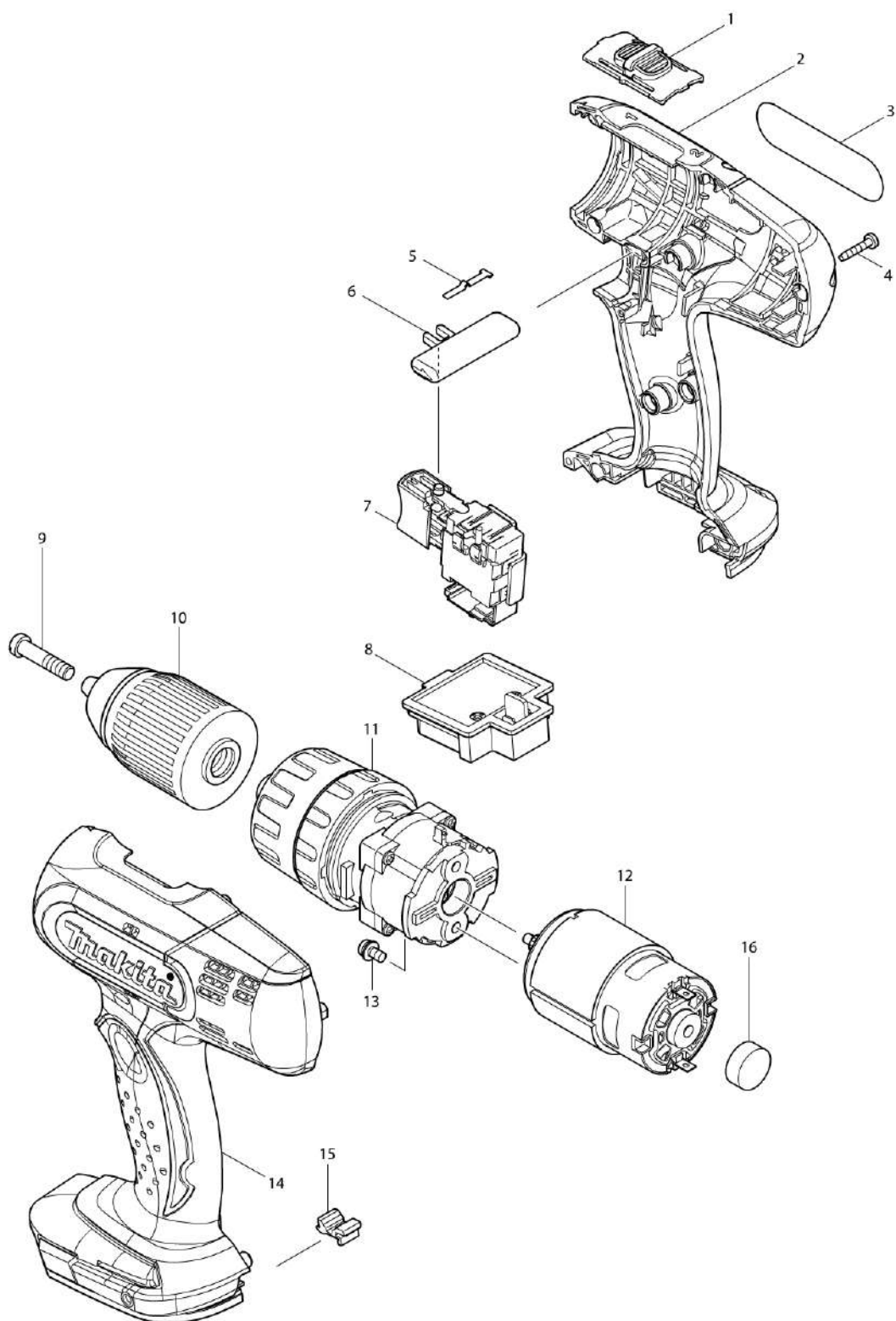


# Model No. DHP453 CORDLESS PERCUSSION-DRIVER DRILL



# Model No. DHP453 CORDLESS PERCUSSN-DRIVER DRILL

| Item   | Parts No. | Description                | I/C | QTY | N/O | Opt. 1 | Opt. 2 | NOTE |
|--------|-----------|----------------------------|-----|-----|-----|--------|--------|------|
| 001    | 125310-5  | SPEED CHANGE LEVER ASS'Y   |     | 1   |     |        |        |      |
| C10    | 231433-0  | COMPRESSION SPRING 4       |     | 2   |     |        |        |      |
| C10    | 263005-3  | RUBBER PIN 6               |     | 2   |     |        |        |      |
| D10    |           | INC. 14                    |     |     |     |        |        |      |
| 002A   | 187363-2  | HOUSING SET                |     | 1   |     |        |        |      |
| 002B   | 187363-2  | HOUSING SET                |     | 1   |     |        |        |      |
| 002C   | 187363-2  | HOUSING SET                |     | 1   |     |        |        |      |
| 002D   | 187363-2  | HOUSING SET                |     | 1   |     |        |        |      |
| 002E   | 187365-8  | HOUSING SET                |     | 1   |     |        |        |      |
| 002F   | 187363-2  | HOUSING SET                |     | 1   |     |        |        |      |
| 002G   | 187363-2  | HOUSING SET                |     | 1   |     |        |        |      |
| 003    | 815J03-9  | DHP453 NAME PLATE          |     | 1   |     |        |        |      |
| 004    | 266130-9  | TAPPING SCREW BIND PT 3X16 |     | 9   |     |        |        |      |
| 005    | 232182-2  | LEAF SPRING                |     | 1   |     |        |        |      |
| 006    | 419250-0  | F/R CHANGE LEVER           |     | 1   |     |        |        |      |
| 007    | 632A24-0  | SWITCH UNIT                |     | 1   |     |        |        |      |
| 008    | 643852-2  | TERMINAL                   |     | 1   |     |        |        |      |
| 009    | 251468-5  | - FLAT HEAD SCREW M6X22    |     | 1   |     |        |        |      |
| 010    | 766004-9  | KEYLESS DRILL CHUCK 13     |     | 1   |     |        |        |      |
| 011    | 125485-0  | GEAR ASS'Y                 |     | 1   | *   |        |        |      |
| 011-1  | 125485-0  | GEAR ASS'Y                 | O   | 1   |     |        |        |      |
| 012    | 629834-8  | DC MOTOR                   |     | 1   |     |        |        |      |
| 013    | 911108-4  | PAN HEAD SCREW M4X8        |     | 2   |     |        |        |      |
| C10    | 263005-3  | RUBBER PIN 6               |     | 2   |     |        |        |      |
| D10    |           | INC. 2                     |     |     |     |        |        |      |
| 014A   | 187363-2  | HOUSING SET                |     | 1   |     |        |        |      |
| 014B   | 187363-2  | HOUSING SET                |     | 1   |     |        |        |      |
| 014C   | 187363-2  | HOUSING SET                |     | 1   |     |        |        |      |
| 014D   | 187363-2  | HOUSING SET                |     | 1   |     |        |        |      |
| 014E   | 187365-8  | HOUSING SET                |     | 1   |     |        |        |      |
| 014F   | 187363-2  | HOUSING SET                |     | 1   |     |        |        |      |
| 014G   | 187363-2  | HOUSING SET                |     | 1   |     |        |        |      |
| 015    | 424476-1  | CUSHION                    |     | 1   |     |        |        |      |
| 016    | 421940-3  | CAP                        |     | 1   |     |        |        |      |
| A01    | 784636-0  | + BIT 2-65                 |     | 1   |     |        |        |      |
| A02A   | ***DC18SD | DC18SD BATTERY CHARGER     |     | 1   |     |        |        |      |
| A02B   | ***DC18RC | DC18RC FAST CHARGER        |     | 1   |     |        |        |      |
| A02D   | ***DC18RC | DC18RC FAST CHARGER        |     | 1   |     |        |        |      |
| A02E   | ***DC18RC | DC18RC FAST CHARGER        |     | 1   |     |        |        |      |
| A02F   | ***DC18RC | DC18RC FAST CHARGER        |     | 1   |     |        |        |      |
| A02G   | ***DC18SD | DC18SD BATTERY CHARGER     |     | 1   |     |        |        |      |
| A03A   | 194513-2  | BATTERY BL1815 SET         |     | 2   |     |        |        |      |
| A03B   | 194204-5  | BATTERY BL1830 SET         |     | 2   | *   |        |        |      |
| A03D   | 194513-2  | BATTERY BL1815 SET         |     | 2   |     |        |        |      |
| A03E   | 194513-2  | BATTERY BL1815 SET         |     | 2   |     |        |        |      |
| A03F   | 196235-0  | BATTERY BL1815N SET        |     | 2   | *   |        |        |      |
| A03G   | 196235-0  | BATTERY BL1815N SET        |     | 2   | *   |        |        |      |
| A03-1B | 194204-5  | BATTERY BL1830 SET         | O   | 2   |     |        |        |      |

Please order the parts with a part number.

Print Date 29/09/2015

