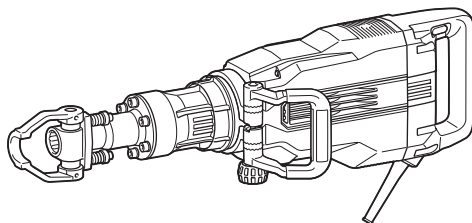


INSTRUCTION MANUAL  
MANUEL D'INSTRUCTION  
MANUAL DE INSTRUCCIONES



# Electric Breaker Marteau-Piqueur Demoledor Eléctrico

HM1512  
HM1502



DOUBLE INSULATION  
DOUBLE ISOLATION  
DOBLE AISLAMIENTO

**IMPORTANT:** Read Before Using.

**IMPORTANT :** Lire avant usage.

**IMPORTANTE:** Lea antes de usar.

## SPECIFICATIONS

Model:	HM1512	HM1502
Blows per minute	1,300 /min	
Overall length	809 mm (31-3/4")	
Net weight	20.4 kg (45.0 lbs)	19.7 kg (43.4 lbs)
Safety class	□/II	
Soft no-load rotation function	✓	-

- Due to our continuing program of research and development, the specifications herein are subject to change without notice.
- Specifications may differ from country to country.
- The weight may differ depending on the attachment(s). The lightest and heaviest combination, according to EPTA-Procedure 01/2014, are shown in the table.

## SAFETY WARNINGS

### General power tool safety warnings

**⚠ WARNING:** Read all safety warnings and all instructions. Failure to follow the warnings and instructions may result in electric shock, fire and/or serious injury.

### Save all warnings and instructions for future reference.

The term "power tool" in the warnings refers to your mains-operated (corded) power tool or battery-operated (cordless) power tool.

#### Work area safety

1. **Keep work area clean and well lit.** Cluttered or dark areas invite accidents.
2. **Do not operate power tools in explosive atmospheres, such as in the presence of flammable liquids, gases or dust.** Power tools create sparks which may ignite the dust or fumes.
3. **Keep children and bystanders away while operating a power tool.** Distractions can cause you to lose control.

#### Electrical Safety

1. **Power tool plugs must match the outlet. Never modify the plug in any way. Do not use any adapter plugs with earthed (grounded) power tools.** Unmodified plugs and matching outlets will reduce risk of electric shock.
2. **Avoid body contact with earthed or grounded surfaces, such as pipes, radiators, ranges and refrigerators.** There is an increased risk of electric shock if your body is earthed or grounded.
3. **Do not expose power tools to rain or wet conditions.** Water entering a power tool will increase the risk of electric shock.

4. **Do not abuse the cord. Never use the cord for carrying, pulling or unplugging the power tool. Keep cord away from heat, oil, sharp edges or moving parts.** Damaged or entangled cords increase the risk of electric shock.
5. **When operating a power tool outdoors, use an extension cord suitable for outdoor use.** Use of a cord suitable for outdoor use reduces the risk of electric shock.
6. **If operating a power tool in a damp location is unavoidable, use a ground fault circuit interrupter (GFCI) protected supply.** Use of a GFCI reduces the risk of electric shock.

#### Personal Safety

1. **Stay alert, watch what you are doing and use common sense when operating a power tool. Do not use a power tool while you are tired or under the influence of drugs, alcohol or medication.** A moment of inattention while operating power tools may result in serious personal injury.
2. **Use personal protective equipment. Always wear eye protection.** Protective equipment such as a dust mask, non-skid safety shoes, hard hat or hearing protection used for appropriate conditions will reduce personal injuries.
3. **Prevent unintentional starting. Ensure the switch is in the off-position before connecting to power source and/or battery pack, picking up or carrying the tool.** Carrying power tools with your finger on the switch or energising power tools that have the switch on invites accidents.
4. **Remove any adjusting key or wrench before turning the power tool on.** A wrench or a key left attached to a rotating part of the power tool may result in personal injury.
5. **Do not overreach. Keep proper footing and balance at all times.** This enables better control of the power tool in unexpected situations.
6. **Dress properly. Do not wear loose clothing or jewellery. Keep your hair, clothing, and gloves away from moving parts.** Loose clothes, jewellery or long hair can be caught in moving parts.

- If devices are provided for the connection of dust extraction and collection facilities, ensure these are connected and properly used. Use of dust collection can reduce dust-related hazards.

#### Power tool use and care

- Do not force the power tool. Use the correct power tool for your application.** The correct power tool will do the job better and safer at the rate for which it was designed.
- Do not use the power tool if the switch does not turn it on and off.** Any power tool that cannot be controlled with the switch is dangerous and must be repaired.
- Disconnect the plug from the power source and/or the battery pack from the power tool before making any adjustments, changing accessories, or storing power tools.** Such preventive safety measures reduce the risk of starting the power tool accidentally.
- Store idle power tools out of the reach of children and do not allow persons unfamiliar with the power tool or these instructions to operate the power tool.** Power tools are dangerous in the hands of untrained users.
- Maintain power tools. Check for misalignment or binding of moving parts, breakage of parts and any other condition that may affect the power tool's operation. If damaged, have the power tool repaired before use.** Many accidents are caused by poorly maintained power tools.

- Keep cutting tools sharp and clean.** Properly maintained cutting tools with sharp cutting edges are less likely to bind and are easier to control.
- Use the power tool, accessories and tool bits etc. in accordance with these instructions, taking into account the working conditions and the work to be performed.** Use of the power tool for operations different from those intended could result in a hazardous situation.

#### Service

- Have your power tool serviced by a qualified repair person using only identical replacement parts.** This will ensure that the safety of the power tool is maintained.
- Follow instruction for lubricating and changing accessories.**
- Keep handles dry, clean and free from oil and grease.**

**USE PROPER EXTENSION CORD.** Make sure your extension cord is in good condition. When using an extension cord, be sure to use one heavy enough to carry the current your product will draw. An undersized cord will cause a drop in line voltage resulting in loss of power and overheating. Table 1 shows the correct size to use depending on cord length and nameplate ampere rating. If in doubt, use the next heavier gage. The smaller the gage number, the heavier the cord.

Table 1: Minimum gage for cord

Ampere Rating		Volts	Total length of cord in feet			
			25 ft.	50 ft.	100 ft.	150 ft.
		120V	25 ft.	50 ft.	100 ft.	150 ft.
		220V - 240V	50 ft.	100 ft.	200 ft.	300 ft.
More Than	Not More Than	AWG				
0 A	6 A	-	18	16	16	14
6 A	10 A		18	16	14	12
10 A	12 A		16	16	14	12
12 A	16 A		14	12	Not Recommended	

### Electric Breaker safety warnings

- Wear ear protectors.** Exposure to noise can cause hearing loss.
- Use auxiliary handle(s), if supplied with the tool.** Loss of control can cause personal injury.
- Hold power tool by insulated gripping surfaces, when performing an operation where the cutting accessory may contact hidden wiring or its own cord.** Cutting accessory contacting a "live" wire may make exposed metal parts of the power tool "live" and could give the operator an electric shock.
- Wear a hard hat (safety helmet), safety glasses and/or face shield. Ordinary eye or sun glasses are NOT safety glasses. It is also highly recommended that you wear a dust mask and thickly padded gloves.**
- Be sure the bit is secured in place before operation.**
- Under normal operation, the tool is designed to produce vibration. The screws can come loose easily, causing a breakdown or accident. Check tightness of screws carefully before operation.**
- In cold weather or when the tool has not been used for a long time, let the tool warm up for a while by operating it under no load. This will loosen up the lubrication. Without proper warm-up, hammering operation is difficult.**
- Always be sure you have a firm footing. Be sure no one is below when using the tool in high locations.**
- Hold the tool firmly with both hands.**
- Keep hands away from moving parts.**
- Do not leave the tool running. Operate the tool only when hand-held.**
- Do not point the tool at any one in the area when operating. The bit could fly out and injure someone seriously.**



13. Do not touch the bit, parts close to the bit, or workpiece immediately after operation; they may be extremely hot and could burn your skin.
14. Some material contains chemicals which may be toxic. Take caution to prevent dust inhalation and skin contact. Follow material supplier safety data.
15. Do not touch the power plug with wet hands.
16. Before operation, make sure that there is no buried object such as electric pipe, water pipe or gas pipe in the working area. Otherwise, the bit may touch them, resulting an electric shock, electrical leakage or gas leak.
17. Do not operate the tool at no-load unnecessarily.

## SAVE THESE INSTRUCTIONS.

**⚠ WARNING:** DO NOT let comfort or familiarity with product (gained from repeated use) replace strict adherence to safety rules for the subject product. MISUSE or failure to follow the safety rules stated in this instruction manual may cause serious personal injury.

## Symbols

The followings show the symbols used for tool.

V	volts
A	amperes
Hz	hertz
~	alternating current
	Class II Construction
 ... /min	number of blow per minute

## Power supply

The tool should be connected only to a power supply of the same voltage as indicated on the nameplate, and can only be operated on single-phase AC supply.

## FUNCTIONAL DESCRIPTION

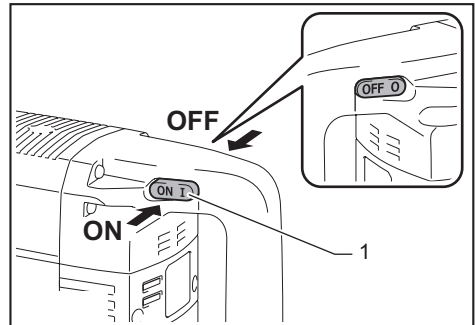
**⚠ CAUTION:** Always be sure that the tool is switched off and unplugged before adjusting or checking function on the tool.

### Switch action

**⚠ CAUTION:** Before plugging in the tool, always check to see that the switch lever actuates properly and returns to the "OFF" position.

**⚠ CAUTION:** Switch can be locked in "ON" position for ease of operator comfort during extended use. Apply caution when locking tool in "ON" position and maintain firm grasp on tool.

To start the tool, push the switch lever "ON (I)" on the left side of the tool. To stop the tool, push the switch lever "OFF (O)" on the right side of the tool.



► 1. Switch lever

### Indicator lamp

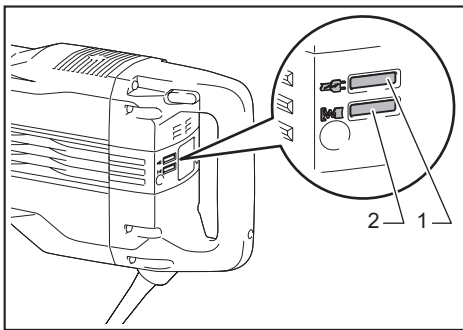
The power-ON indicator lamp lights up in green when the tool is plugged.

If the indicator lamp does not light up, the mains cord or the controller may be malfunction.

The indicator lamp lights up but the tool does not start even if the tool is switched on, the carbon brushes may be worn out, or the controller, the motor or the switch may be malfunction.

The service indicator lamp flickers up in red when the carbon brushes are nearly worn out to indicate that the tool needs servicing.

After approx. 8 hours of use, the motor will automatically be shut off.



- 1. Power-ON indicator lamp (green) 2. Service indicator lamp (red)

## Electronic function

The tool is equipped with the electronic functions for easy operation.

- Soft no-load rotation function  
(For Model HM1512 only)  
Blows at no load per minute becomes smaller than those on load in order to reduce vibration under no load, but this does not show trouble.  
Once operation starts with a bit against concrete, blows per minute increase.  
When temperature is low, the tool may not have this function even with the motor rotating.
- Soft start  
The soft-start function minimizes start-up shock, and makes the machine start smoothly.

## ASSEMBLY

**⚠ CAUTION:** Always be sure that the tool is switched off and unplugged before carrying out any work on the tool.

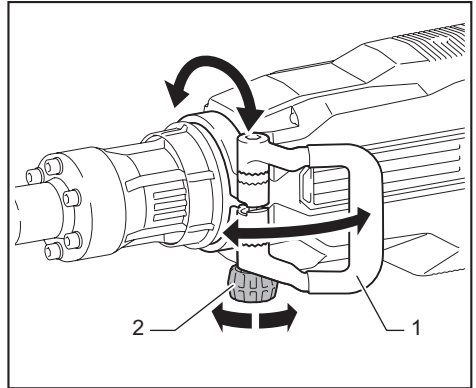
### Side handle (auxiliary handle)

**⚠ CAUTION:** Always use the side handle to ensure safe operation.

**⚠ CAUTION:** After installing or adjusting the side handle, make sure that the side handle is firmly secured.

The side handle can be swung 360° on the vertical and secured at any desired position.

Loosen the clamp nut to swing the side handle to a desired position, and then tighten the clamp nut securely.



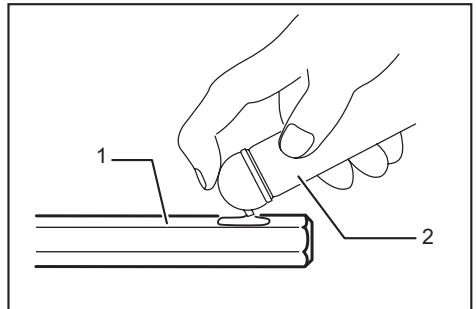
- 1. Side handle 2. Clamp nut

## Installing or removing the bit

### Grease

Clean the shank end of the bit and apply grease before installing the bit.

Coat the shank end of the bit beforehand with a small amount of grease (about 0.5 - 1 g). This chuck lubrication assures smooth action and longer service life.

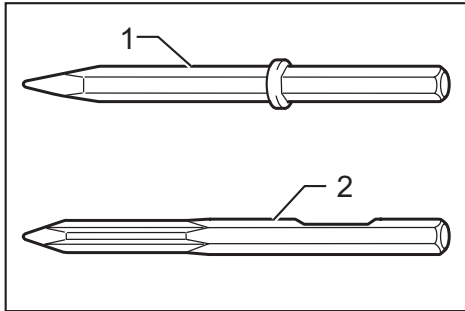


- 1. Shank end 2. Grease

## Installing the bit

**CAUTION:** Always assure that the bit is securely retained by attempting to pull the bit out of the tool holder after completing the above procedure.

This tool accepts bits either with or without a collar on its shank.



► 1. Bit with collar 2. Bit without collar

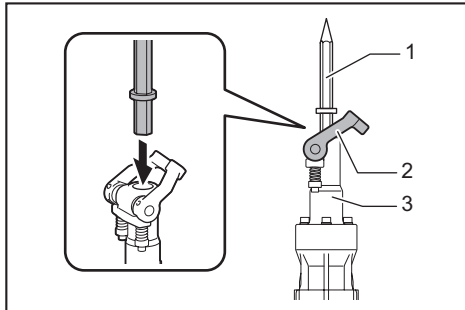
To install the bit, follow either procedure (1) or (2) described below.

**NOTICE:** The bit without a collar cannot be retained by procedure (1).

### (1) For bits with a collar

Pivot the tool retainer as shown in the figure.  
Insert the bit into the tool holder as far as it will go.

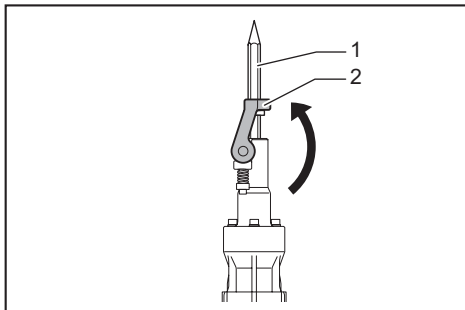
#### When inserting the bit



► 1. Bit 2. Tool retainer 3. Tool holder

To secure the bit, return the tool retainer as shown in the figure.

#### When the bit is retained

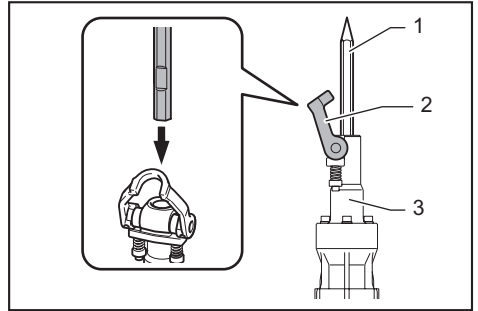


► 1. Bit 2. Tool retainer

### (2) For bits without a collar

Pivot the tool retainer as shown in the figure.  
With the notched portion of the bit facing the tool retainer shaft, insert the bit into the tool holder as far as it will go.

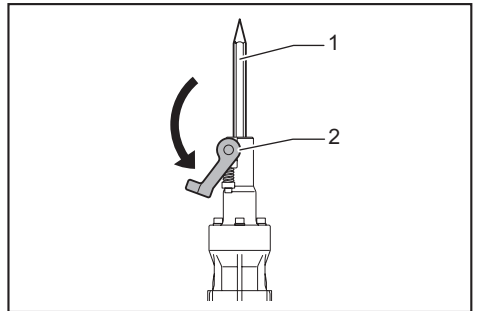
#### When inserting the bit



► 1. Bit 2. Tool retainer 3. Tool holder

To secure the bit, pivot the tool retainer as shown in the figure.

#### When the bit is retained



► 1. Bit 2. Tool retainer

## Removing the bit

To remove the bit, follow the installation procedure in reverse.

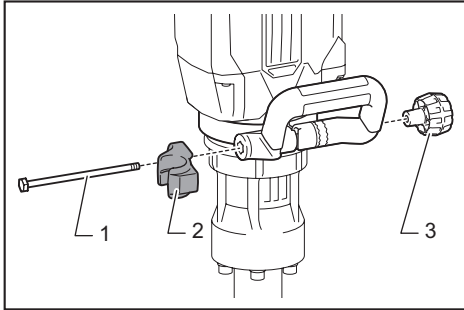
## Dust extractor attachment

### Optional accessory

The dust extractor attachment is intended for reducing blown-away dust and particles when chiseling in a ceramic material such as concrete.

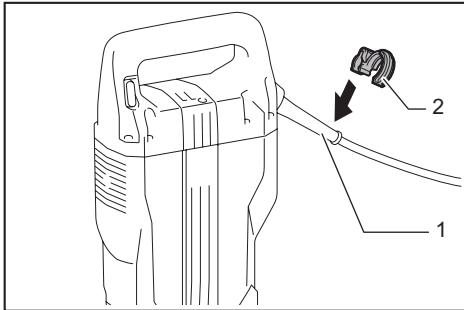
1. Install the hose holder (A).

Loosen the clamp nut, and then remove the hex bolt. Install the hose holder (A) between the hex bolt and the clamp nut by tightening the clamp nut firmly.



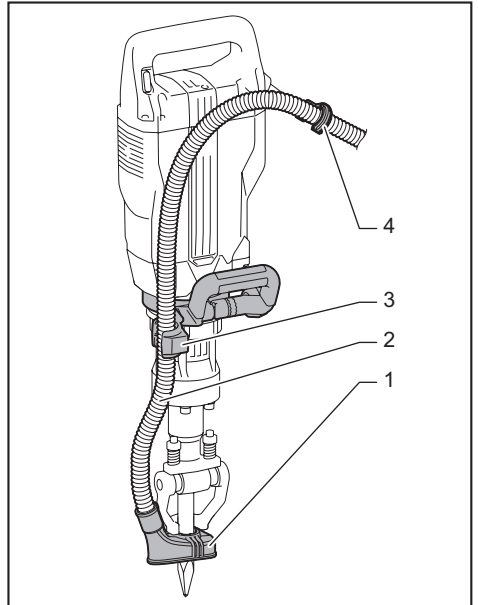
- 1. Hex bolt 2. Hose holder (A) 3. Clamp nut

2. Attach the hose holder (C) to the cord guard.



- 1. Cord guard 2. Hose holder (C)

3. Attach the dust cover and the hose to the tool, and then fix the hose to the hose holders.



- 1. Dust cover 2. Hose 3. Hose holder (A) 4. Hose holder (C)

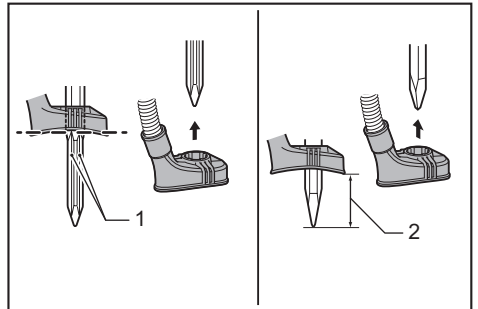
4. Connect the hose to the hose of the vacuum cleaner with the hose joint.

**NOTE:** If the hose is not included, attach the dust cover to the cleaner's joint or attach it to Makita's hose  $\varnothing 28$ .

5. Adjust the distance between the dust cover and the tip of the chisel or bull point.

For the self sharpening bull point, adjust the dust cover not to veil the grooves of the self sharpening bull point.

For the bits other than the self sharpening bull point, the recommended distance is 30 mm (1-3/16") to 100 mm (3-15/16").



- 1. Groove 2. 30 mm (1-3/16") to 100 mm (3-15/16")

## OPERATION

**⚠ CAUTION:** Always use the side grip (auxiliary handle) and firmly hold the tool by both side grip and switch handle during operations.

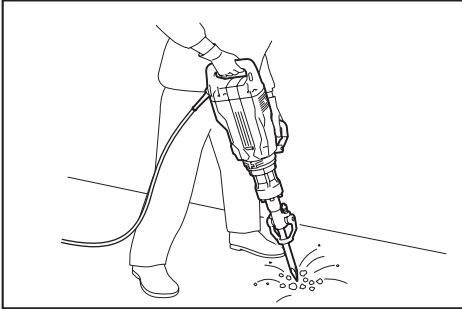
**⚠ CAUTION:** Always make sure that the workpiece is secured before operation. Failure to properly secure the workpiece may cause the workpiece to move resulting in injury.

**⚠ CAUTION:** Do not pull the tool out forcibly even the bit gets stuck. Loss of control may cause injury.

**⚠ CAUTION:** Do not leave the tool stabbed in the workpiece. Otherwise the tool may start unintentionally and cause an injury.

## Chipping/Scaling/Demolition

Hold the tool firmly with both hands. Turn the tool on and apply slight pressure on the tool so that the tool will not bounce around, uncontrolled. Pressing very hard on the tool will not increase the efficiency.



## MAINTENANCE

**⚠ CAUTION:** Always be sure that the tool is switched off and unplugged before attempting to perform inspection or maintenance.

**NOTICE:** Never use gasoline, benzine, thinner, alcohol or the like. Discoloration, deformation or cracks may result.

To maintain product SAFETY and RELIABILITY, repairs, any other maintenance or adjustment should be performed by Makita Authorized or Factory Service Centers, always using Makita replacement parts.

## Lubrication

**⚠ CAUTION:** This servicing should be performed by Makita Authorized Service Centers only.

This tool requires no hourly or daily lubrication because it has a grease-packed lubrication system. It should be lubricated regularly. Send the complete tool to Makita Authorized or Factory Service Center for this lubrication service.

## OPTIONAL ACCESSORIES

**⚠ CAUTION:** These accessories or attachments are recommended for use with your Makita tool specified in this manual. The use of any other accessories or attachments might present a risk of injury to persons. Only use accessory or attachment for its stated purpose.

If you need any assistance for more details regarding these accessories, ask your local Makita Service Center.

- Bull point
- Cold chisel
- Scaling chisel
- Clay spade
- Rammer
- Bit grease
- Dust extractor attachment
- Safety goggles
- Hammer carrier

**NOTE:** Some items in the list may be included in the tool package as standard accessories. They may differ from country to country.

## MAKITA LIMITED WARRANTY

Please refer to the annexed warranty sheet for the most current warranty terms applicable to this product. If annexed warranty sheet is not available, refer to the warranty details set forth at below website for your respective country.

United States of America: [www.makitatools.com](http://www.makitatools.com)

Canada: [www.makita.ca](http://www.makita.ca)

Other countries: [www.makita.com](http://www.makita.com)



## SPÉCIFICATIONS

Modèle :	HM1512	HM1502
Nombre de frappes par minute	1 300 /min	
Longueur totale	809 mm (31-3/4")	
Poids net	20,4 kg (45,0 lbs)	19,7 kg (43,4 lbs)
Classe de sécurité	□/II	
Fonction de rotation sans charge en douceur	✓	-

- Étant donné l'évolution constante de notre programme de recherche et de développement, les spécifications contenues dans ce manuel sont sujettes à modification sans préavis.
- Les spécifications peuvent varier suivant les pays.
- Le poids peut varier suivant les accessoires. La plus légère et la plus lourde des combinaisons, selon la procédure EPTA 01/2014, sont indiquées dans le tableau.

## CONSIGNES DE SÉCURITÉ

### Consignes de sécurité générales pour outils électriques

**⚠ MISE EN GARDE :** Lisez toutes les consignes de sécurité et toutes les instructions. L'ignorance des mises en garde et des instructions comporte un risque de choc électrique, d'incendie et/ou de blessure grave.

### Conservez toutes les mises en garde et instructions pour référence future.

Le terme « outil électrique » qui figure dans les avertissements fait référence à un outil électrique branché sur une prise de courant (par un cordon d'alimentation) ou alimenté par batterie (sans fil).

#### Sécurité de la zone de travail

1. **Maintenez la zone de travail propre et bien éclairée.** Les zones de travail encombrées ou sombres ouvrent grande la porte aux accidents.
2. **N'utilisez pas les outils électriques dans les atmosphères explosives, par exemple en présence de liquides, gaz ou poussières inflammables.** Les outils électriques produisent des étincelles au contact desquelles la poussière ou les vapeurs peuvent s'enflammer.
3. **Assurez-vous qu'aucun enfant ou curieux ne s'approche pendant que vous utilisez un outil électrique.** Vous risquez de perdre la maîtrise de l'outil si votre attention est détournée.

#### Sécurité en matière d'électricité

1. **Les fiches d'outil électrique sont conçues pour s'adapter parfaitement aux prises de courant. Ne modifiez jamais la fiche de quelque façon que ce soit. N'utilisez aucun adaptateur de fiche sur les outils électriques avec mise à la terre.** En ne modifiant pas les fiches et en les insérant dans des prises de courant pour lesquelles elles ont été conçues, vous réduirez les risques de choc électrique.

2. **Évitez tout contact corporel avec les surfaces mises à la terre, telles que tuyaux, radiateurs, cuisinières et réfrigérateurs.** Le risque de choc électrique est plus élevé si votre corps se trouve mis à la terre.
3. **N'exposez pas les outils électriques à la pluie ou à l'eau.** La présence d'eau dans un outil électrique augmente le risque de choc électrique.
4. **Ne maltraitez pas le cordon. N'utilisez jamais le cordon pour transporter, tirer ou débrancher l'outil électrique. Maintenez le cordon à l'écart des sources de chaleur, de l'huile, des objets à bords tranchants et des pièces en mouvement.** Le risque de choc électrique est plus élevé lorsque les cordons sont endommagés ou enchevêtrés.
5. **Lorsque vous utilisez un outil électrique à l'extérieur, utilisez un cordon prolongateur conçu pour l'usage extérieur.** Les risques de choc électrique est moindre lorsqu'un cordon conçu pour l'usage extérieur est utilisé.
6. **Si vous devez utiliser un outil électrique dans un endroit humide, utilisez une source d'alimentation protégée par un disjoncteur de fuite à la terre.** L'utilisation d'un disjoncteur de fuite à la terre réduit le risque de choc électrique.

#### Sécurité personnelle

1. **Restez alerte, attentif à vos mouvements et faites preuve de bon sens lorsque vous utilisez un outil électrique. N'utilisez pas les outils électriques si vous êtes fatigué ou avez pris une drogue, de l'alcool ou un médicament.** Un moment d'inattention pendant l'utilisation d'un outil électrique peut entraîner une grave blessure.
2. **Portez des dispositifs de protection personnelle. Portez toujours une protection oculaire.** Les risques de blessure seront moins élevés si vous utilisez des dispositifs de protection tels qu'un masque anti-poussière, des chaussures à semelle antidérapante, une coiffure résistante ou une protection d'oreilles.
3. **Évitez les démarrages accidentels. Assurez-vous que l'interrupteur est en position d'arrêt avant de brancher l'outil à la prise de courant et/ou au bloc-piles, et avant de prendre ou de transporter l'outil.** Vous ouvrez la porte aux accidents si vous transportez les outils électriques avec le doigt sur l'interrupteur ou si vous les branchez alors que l'interrupteur est en position de marche.

- Retirez toute clé de réglage ou de serrage avant de mettre l'outil électrique sous tension. Toute clé laissée en place sur une pièce rotative de l'outil électrique peut entraîner une blessure.
- Ne vous étirez pas exagérément. Assurez-vous d'une bonne prise au sol et d'un bon équilibre en tout temps. Cela vous permettra d'avoir une meilleure maîtrise de l'outil électrique dans les situations imprévues.
- Portez des vêtements adéquats. Ne portez ni vêtements amples ni bijoux. Vous devez maintenir cheveux, vêtements et gants à l'écart des pièces en mouvement. Les pièces en mouvement peuvent happer les vêtements amples, les bijoux et les cheveux longs.
- Si des accessoires sont fournis pour raccorder un appareil d'aspiration et de collecte de la poussière, assurez-vous qu'ils sont correctement raccordés et qu'ils sont utilisés de manière adéquate. L'utilisation d'un appareil de collecte permet de réduire les risques liés à la présence de poussière dans l'air.
- Veillez à l'entretien des outils électriques. Assurez-vous que les pièces mobiles ne sont pas désalignées ou coincées, qu'aucune pièce n'est cassée et que l'outil électrique n'a subi aucun dommage affectant son bon fonctionnement. Le cas échéant, faites réparer l'outil électrique avant de l'utiliser. De nombreux accidents sont causés par des outils électriques mal entretenus.
- Maintenez les outils tranchants bien aiguisés et propres. Un outil tranchant dont l'entretien est effectué correctement et dont les bords sont bien aiguisés risquera moins de se coincer et sera plus facile à maîtriser.
- Utilisez l'outil électrique, ses accessoires, ses embouts, etc., en respectant les présentes instructions, en tenant compte des conditions de travail et du type de travail à effectuer. L'utilisation d'un outil électrique pour d'autres usages que ceux prévus peut entraîner une situation dangereuse.

#### Utilisation et entretien des outils électriques

- Ne forcez pas l'outil électrique. Utilisez l'outil électrique adéquat suivant le type de travail à effectuer. Si vous utilisez l'outil électrique adéquat et respectez le régime pour lequel il a été conçu, il effectuera un travail de meilleure qualité et plus sécuritaire.
- N'utilisez pas l'outil électrique s'il n'est pas possible de l'allumer et de l'éteindre avec son interrupteur. Un outil électrique dont l'interrupteur est défectueux représente un danger et doit être réparé.
- Débranchez la fiche de la source d'alimentation et/ou retirez le bloc-piles de l'outil électrique avant d'effectuer tout réglage, de remplacer un accessoire ou de ranger l'outil électrique. De telles mesures préventives réduisent les risques de démarrage accidentel de l'outil électrique.
- Après l'utilisation d'un outil électrique, rangez-le hors de portée des enfants et ne laissez aucune personne l'utiliser si elle n'est pas familiarisée avec l'outil électrique ou les présentes instructions d'utilisation. Les outils électriques représentent un danger entre les mains de personnes qui n'en connaissent pas le mode d'utilisation.

#### Réparation

- Faites réparer votre outil électrique par un réparateur qualifié qui utilise des pièces de rechange identiques aux pièces d'origine. Le maintien de la sûreté de l'outil électrique sera ainsi assuré.
- Suivez les instructions de lubrification et de remplacement des accessoires.
- Maintenez les poignées de l'outil sèches, propres et exemptes d'huile ou de graisse.

#### UTILISEZ UN CORDON PROLONGATEUR

APPROPRIÉ. Assurez-vous que votre cordon prolongateur est en bonne condition. Lorsque vous utilisez un cordon prolongateur, assurez-vous qu'il est assez robuste pour transporter le courant exigé par le produit. Un cordon trop petit entraînera une baisse dans la tension composée, ce qui causera une perte d'énergie et une surchauffe. Le tableau 1 indique la dimension de cordon à utiliser, en fonction de la longueur du cordon et de l'intensité nominale figurant sur la plaque signalétique. En cas de doute, utilisez un calibre plus robuste. Plus le numéro de calibre est bas, plus le cordon est robuste.

Tableau 1 : Calibre minimum du cordon

Intensité nominale		Volts	Longueur totale du cordon en pieds			
			25 ft.	50 ft.	100 ft.	150 ft.
		120 V	25 ft.	50 ft.	100 ft.	150 ft.
		220 V - 240 V	50 ft.	100 ft.	200 ft.	300 ft.
Plus de	Pas plus de	Calibre américain des fils				
0 A	6 A	-	18	16	16	14
6 A	10 A		18	16	14	12
10 A	12 A		16	16	14	12
12 A	16 A		14	12	Non recommandé	

### Consignes de sécurité pour marteau-piqueur

- Portez des protections d'oreilles. L'exposition au bruit peut entraîner des lésions de l'ouïe.
- Utilisez la ou les poignées auxiliaires si elles sont fournies avec l'outil. Toute perte de maîtrise comporte un risque de blessure.

- Tenez l'outil électrique par ses surfaces de prise isolées pendant toute opération où l'accessoire de coupe pourrait venir en contact avec un câblage dissimulé ou avec son propre cordon. En cas de contact de l'accessoire de coupe avec un conducteur sous tension, les pièces métalliques à découvert de l'outil peuvent devenir sous tension et transmettre un choc électrique à l'utilisateur.

4. **Portez une coiffure rigide (un casque de sécurité), des lunettes de sécurité et/ou un écran facial. Les lunettes ordinaires et les lunettes de soleil NE sont PAS des lunettes de sécurité. Il est aussi vivement recommandé de porter un masque antipoussières et des gants à rembourrage épais.**
5. **Avant l'utilisation, assurez-vous que l'embout est bien fixé en place.**
6. **Dans des conditions normales d'utilisation, l'outil est conçu pour produire des vibrations. Les vis peuvent se desserrer facilement et causer une panne ou un accident. Avant l'utilisation, vérifiez soigneusement le serrage des vis.**
7. **Par temps froid ou lorsque l'outil est resté inutilisé pendant une longue période, faites-le réchauffer pendant un moment en le faisant tourner à vide. Cela réchauffera le lubrifiant. Sans un réchauffement adéquat, le martelage s'effectue difficilement.**
8. **Pensez toujours à prendre pied solidement. Assurez-vous qu'il n'y a personne plus bas lorsque vous utilisez l'outil en position élevée.**
9. **Tenez l'outil fermement à deux mains.**
10. **Gardez les mains éloignées des pièces en mouvement.**
11. **Ne quittez pas l'outil pendant qu'il tourne. N'utilisez l'outil qu'une fois que vous l'avez bien en main.**
12. **Ne pointez l'outil vers personne autour de vous pendant l'utilisation. L'embout pourrait être éjecté et blesser quelqu'un grièvement.**
13. **Ne touchez pas l'embout, ni les pièces situées près de l'embout, ni la pièce immédiatement après l'utilisation ; ils peuvent être extrêmement chauds et brûler votre peau.**
14. **Certains matériaux contiennent des produits chimiques qui peuvent être toxiques. Prenez les précautions nécessaires pour éviter l'inhalation de ces poussières ou leur contact avec la peau. Conformez-vous aux consignes de sécurité du fournisseur du matériau.**
15. **Ne touchez pas la fiche d'alimentation avec les mains mouillées.**
16. **Avant l'utilisation, assurez-vous qu'il n'y a pas d'objets enterrés tels que des tuyaux d'électricité, d'eau ou de gaz dans la zone de travail. Autrement, l'embout risque de les toucher et d'entraîner une décharge électrique, une dispersion électrique ou une fuite de gaz.**
17. **Ne faites pas tourner inutilement l'outil à vide.**

## CONSERVEZ CES INSTRUCTIONS.




**⚠ MISE EN GARDE : NE vous laissez PAS tromper (au fil d'une utilisation répétée) par un sentiment d'aisance ou de familiarité avec le produit en négligeant les consignes de sécurité qui accompagnent le produit. UNE UTILISATION INCORRECTE ou le non-respect des règles de sécurité énoncées dans le présent manuel d'instructions peut provoquer des blessures graves.**

## Symboles

Les symboles utilisés pour l'outil sont indiqués ci-dessous.

V volts

A ampères

Hz	hertz
	courant alternatif
	construction, catégorie II
	nombre de frappes par minute

## Alimentation

L'outil ne doit être branché que sur une source d'alimentation de la même tension que celle indiquée sur la plaque signalétique, et il ne peut être utilisé qu'avec un courant alternatif monophasé.

## DESCRIPTION DU FONCTIONNEMENT

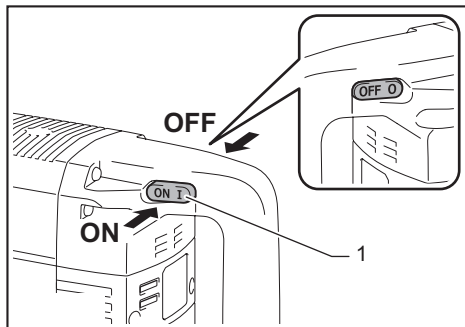
**⚠ ATTENTION : Assurez-vous toujours que l'outil est hors tension et débranché avant de l'ajuster ou de vérifier son fonctionnement.**

## Interrupteur

**⚠ ATTENTION : Avant de brancher l'outil, vérifiez toujours que le levier de l'interrupteur fonctionne bien et revient en position d'arrêt.**

**⚠ ATTENTION : Pour rendre le travail de l'utilisateur plus confortable lors d'une utilisation prolongée, l'interrupteur peut être verrouillé en position de marche. Soyez prudent lorsque vous verrouillez l'outil en position de marche, et maintenez une poigne solide sur l'outil.**

Pour faire démarrer l'outil, poussez le levier de l'interrupteur sur « ON (I) » du côté gauche de l'outil. Pour arrêter l'outil, poussez le levier de l'interrupteur sur « OFF (O) » du côté droit de l'outil.



► 1. Levier de l'interrupteur

## Voyant

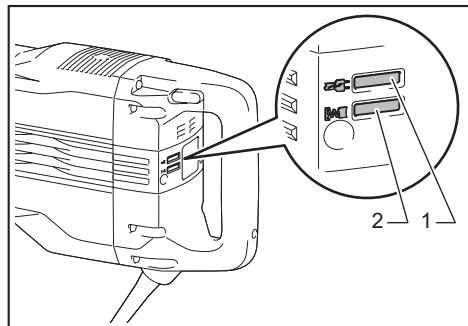
Le voyant d'alimentation s'allume en vert lorsque l'outil est branché.

Si le voyant ne s'allume pas, il se peut que le cordon d'alimentation ou le contrôleur soit défectueux.

Si le voyant s'allume mais que l'outil ne démarre pas même s'il est mis en marche, il se peut que les charbons soient usés, ou que le contrôleur, le moteur ou l'interrupteur soit défectueux.

Le voyant d'entretien clignote en rouge pour indiquer qu'un entretien doit être effectué sur l'outil lorsque les charbons sont presque complètement usés.

Après environ huit heures d'utilisation, le moteur s'arrêtera automatiquement.



► 1. Voyant de mise sous tension (vert) 2. Voyant de service (rouge)

## Fonctions électroniques

L'outil est doté de fonctions électroniques qui facilitent son utilisation.

- Fonction de rotation sans charge en douceur (Pour le modèle HM1512 uniquement)  
À vide, le nombre de frappes par minute est plus petit que celui avec charge, afin d'atténuer les vibrations pendant le fonctionnement à vide, mais il ne s'agit pas d'un dysfonctionnement.  
Une fois le travail commencé avec un embout placé contre le béton, les frappes par minute augmentent.  
Lorsque la température est basse, il est possible que l'outil ne puisse pas utiliser cette fonction même si le moteur tourne.
- Démarrage en douceur  
La fonction de démarrage en douceur atténué le choc de démarrage et fait démarrer la machine doucement.

## ASSEMBLAGE

**⚠ ATTENTION :** Avant d'effectuer toute intervention sur l'outil, assurez-vous toujours qu'il est hors tension et débranché.

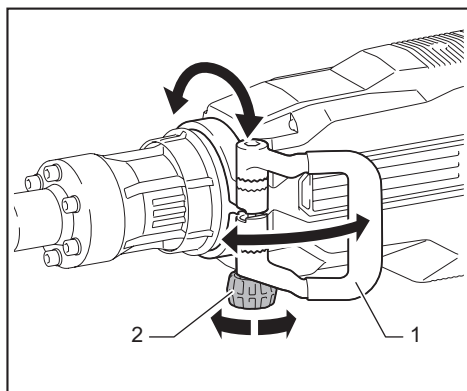
### Poignée latérale (poignée auxiliaire)

**⚠ ATTENTION :** Utilisez toujours la poignée latérale pour assurer une utilisation sécuritaire.

**⚠ ATTENTION :** Après avoir posé ou ajusté la poignée latérale, assurez-vous que la poignée latérale est fermement fixée.

Le manche latéral peut être pivoté de 360° verticalement et fixé sur toute position désirée.

Desserrez l'écrou de serrage pour faire pivoter le manche latéral sur la position désirée, puis serrez fermement l'écrou de serrage.



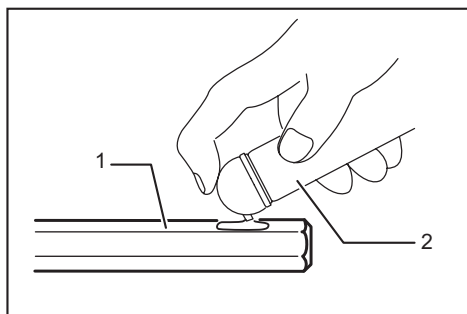
► 1. Manche latéral 2. Écrou de serrage

## Installation et retrait du foret

### Graisse

Nettoyez la queue de l'embout et appliquez de la graisse avant de l'installer.

Graissez à l'avance la queue de l'embout avec une petite quantité de graisse (environ 0,5 à 1 g). La lubrification du mandrin assurera un mouvement en douceur et une plus longue durée de service.

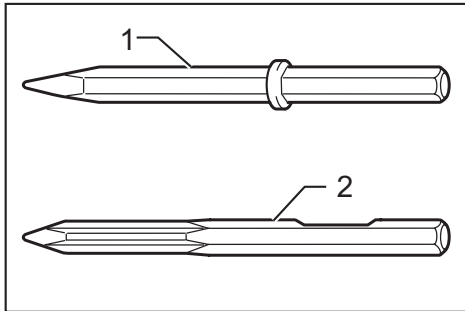


► 1. Queue 2. Graisse

## Pose de l'embout

**ATTENTION** : Assurez-vous toujours que le foret est maintenu de façon sûre, en essayant de le retirer du porte-outil après avoir terminé la procédure ci-dessus.

Cet outil peut être utilisé avec les forets avec ou sans embase sur la queue.



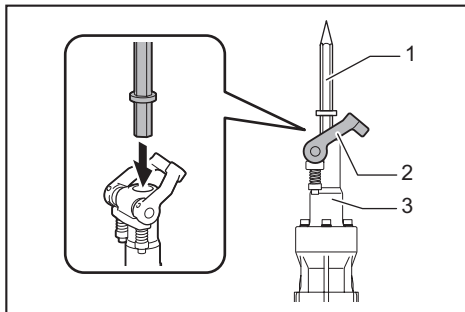
► 1. Foret avec embase 2. Foret sans embase

Pour installer le foret, suivez la procédure (1) ou (2) décrite ci-dessous.

**AVIS** : L'embout sans collet ne peut être retenu conformément à la procédure (1).

- (1) **Pour les embouts munis d'un collet**  
Faites pivoter le dispositif de retenue de l'outil comme illustré dans la figure. Insérez l'embout aussi loin que possible dans le dispositif de retenue de l'outil.

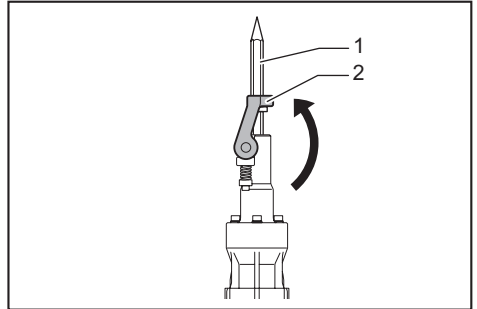
### Lors de l'insertion de l'embout



► 1. Embout 2. Dispositif de retenue 3. Porte-outil

Pour fixer l'embout, retournez le dispositif de retenue de l'outil comme illustré dans la figure.

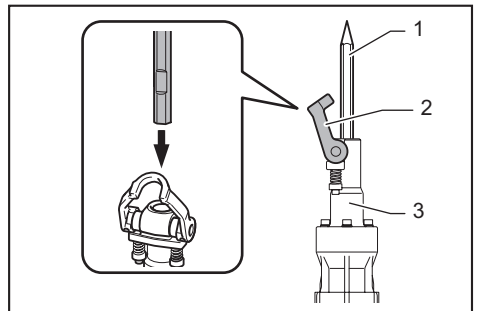
### Lorsque le foret est retenu



► 1. Embout 2. Dispositif de retenue

- (2) **Pour les embouts sans collet**  
Faites pivoter le dispositif de retenue de l'outil comme illustré dans la figure. Avec la partie entaillée de l'embout faisant face vers l'arbre de pièce de retenue de l'outil, insérez aussi loin que possible l'embout dans le porte-outil.

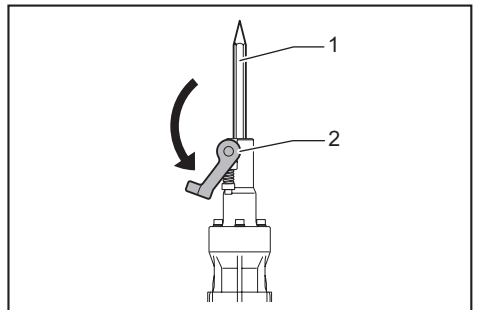
### Lors de l'insertion de l'embout



► 1. Embout 2. Dispositif de retenue 3. Porte-outil

Pour fixer l'embout, faites pivoter le dispositif de retenue de l'outil comme illustré dans la figure.

### Lorsque le foret est retenu



► 1. Embout 2. Dispositif de retenue

## Retrait de l'embout

Pour retirer la fraise, suivez la procédure d'installation en sens inverse.

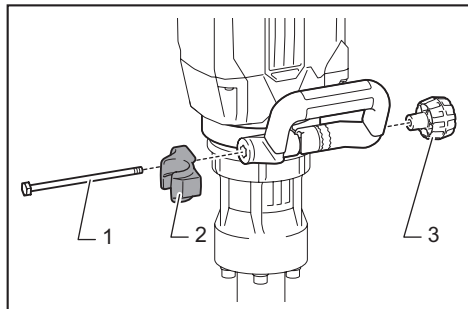
## Fixation d'extracteur de poussières

### Accessoire en option

L'extracteur de poussières a pour fonction de réduire la poussière et les particules soufflées lors du cisaillement dans un matériau céramique, comme du béton.

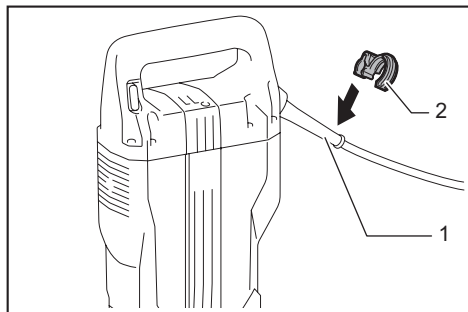
1. Installez le support de tuyau (A).

Desserrez l'écrou de serrage et retirez le boulon hexagonal. Installez le support de tuyau (A) entre le boulon hexagonal et l'écrou de serrage, en serrant ce dernier fermement.



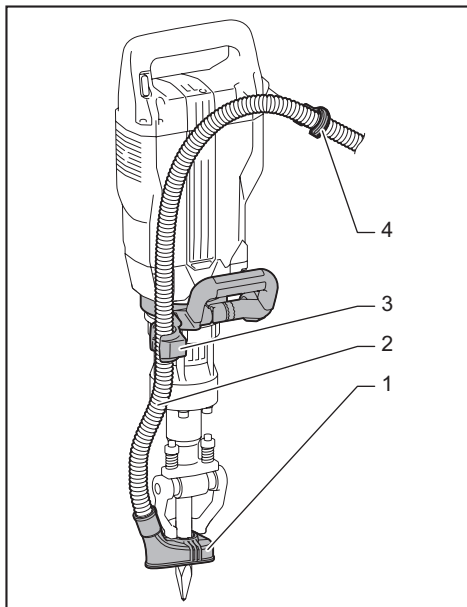
- 1. Boulon hexagonal 2. Support de tuyau (A)  
3. Écrou de serrage

2. Fixez le support de boyau (C) au protège-cordon.



- 1. Protège-cordon 2. Support de tuyau (C)

3. Fixez le cache antipoussières et le tuyau à l'outil, puis fixez le tuyau aux supports de tuyau.



- 1. Cache antipoussières 2. Tuyau 3. Support de tuyau (A) 4. Support de tuyau (C)

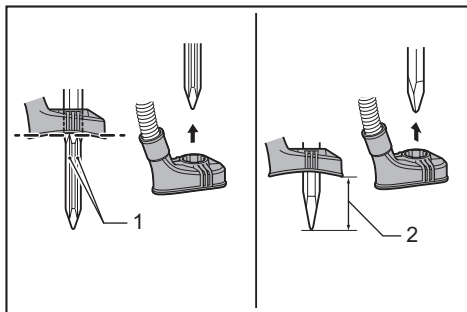
4. Connectez le tuyau au tuyau de l'aspirateur avec le raccord de tuyau.

**NOTE :** Si le tuyau n'est pas fourni, fixez le cache antipoussières au raccord de l'aspirateur ou fixez-le au tuyau Makita de  $\varnothing 28$ .

5. Ajustez la distance entre le cache antipoussières et la pointe du ciseau ou du pic.

Pour le pic autoaiguisant, ajustez le cache antipoussières pour ne pas cacher les rainures du pic autoaiguisant.

Ajustez la distance entre le cache antipoussières et la pointe du ciseau ou du pic. La distance recommandée est de 30 mm (1-3/16") à 100 mm (3-15/16").



- 1. Rainure 2. 30 mm (1-3/16") à 100 mm (3-15/16")

## UTILISATION

**⚠ATTENTION** : En tout temps, utilisez la poignée latérale (poignée auxiliaire) et tenez fermement l'outil par la poignée latérale et la poignée à interrupteur pendant l'exécution des travaux.

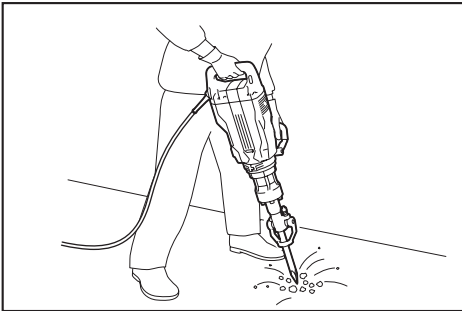
**⚠ATTENTION** : Avant l'exécution du travail, assurez-vous toujours que la pièce est fixée. Si la pièce n'est pas bien fixée, elle risque de se déplacer et d'entraîner une blessure.

**⚠ATTENTION** : Ne retirez pas l'outil par la force même si l'embout se coince. Une perte de contrôle peut causer une blessure.

**⚠ATTENTION** : Ne laissez pas l'outil engagé dans la pièce. Autrement, l'outil risque de démarrer accidentellement et de causer une blessure.

## Burinage/Écaillage/Démolition

Tenez l'outil fermement à deux mains. Mettez le contact et appliquez une légère pression sur l'outil de façon à en garder la maîtrise et à éviter qu'il ne saute d'un côté ou de l'autre. L'application d'une très grande pression sur l'outil n'augmentera pas l'efficacité de l'opération.



## ENTRETIEN

**⚠ATTENTION** : Assurez-vous toujours que l'outil est hors tension et débranché avant d'y effectuer tout travail d'inspection ou d'entretien.

**AVIS** : N'utilisez jamais d'essence, de benzine, de solvant, d'alcool ou autres produits similaires. Une décoloration, une déformation ou la formation de fissures peuvent en découler.

Pour maintenir la SÉCURITÉ et la FIABILITÉ du produit, les réparations et tout autre travail d'entretien ou de réglage doivent être effectués dans un centre de service après-vente autorisé ou une usine Makita, exclusivement avec des pièces de rechange Makita.

## Lubrification

**⚠ATTENTION** : Cet entretien doit être effectué par un centre de service après-vente autorisé Makita uniquement.

Cet outil ne nécessite pas de lubrification horaire ou quotidienne, car il dispose d'un système de lubrification contenant de la graisse. Il doit être relubrifié régulièrement. Envoyez l'outil au complet à un centre de service d'usine ou à un centre de service autorisé Makita.

## ACCESSOIRES EN OPTION

**⚠ATTENTION** : Ces accessoires ou pièces complémentaires sont recommandés pour l'utilisation avec l'outil Makita spécifié dans ce manuel. L'utilisation de tout autre accessoire ou pièce complémentaire peut comporter un risque de blessure. N'utilisez les accessoires ou pièces complémentaires qu'aux fins auxquelles ils ont été conçus.

Si vous désirez obtenir plus de détails sur ces accessoires, veuillez contacter le centre de service après-vente Makita le plus près.

- Pic
- Ciseau à froid
- Ciseau à écailler
- Marteau bêche
- Dame
- Graisse pour embout
- Fixation d'extracteur de poussières
- Lunettes de sécurité
- Porte-marteau

**NOTE** : Certains éléments de la liste peuvent être inclus avec l'outil comme accessoires standards. Ils peuvent varier suivant les pays.

## GARANTIE LIMITÉE MAKITA

Pour les conditions de garantie en vigueur qui s'appliquent à ce produit, veuillez vous reporter à la feuille de garantie en annexe. Si la feuille de garantie en annexe n'est pas disponible, reportez-vous aux détails de la garantie présentés sur le site Web de votre pays, ci-dessous.

États-Unis d'Amérique: [www.makitatools.com](http://www.makitatools.com)

Canada: [www.makita.ca](http://www.makita.ca)

Autres pays: [www.makita.com](http://www.makita.com)

## ESPECIFICACIONES

Modelo:	HM1512	HM1502
Especificaciones eléctricas en México	120 V ~ 15 A 50/60 Hz	
Golpes por minuto	1 300 gpm	
Longitud total	809 mm (31-3/4")	
Peso neto	20,4 kg (45,0 lbs)	19,7 kg (43,4 lbs)
Clase de seguridad	□/II	
Función de rotación suave sin carga	✓	-

- Debido a nuestro programa continuo de investigación y desarrollo, las especificaciones aquí dadas están sujetas a cambios sin previo aviso.
- Las especificaciones pueden variar de país a país.
- El peso puede variar en función de los accesorios. En la tabla se muestra la combinación de peso más ligero y más pesado conforme al procedimiento 01/2014 de EPTA.

## ADVERTENCIAS DE SEGURIDAD

### Advertencias generales de seguridad para herramientas eléctricas

**⚠ ADVERTENCIA:** Lea todas las advertencias de seguridad e instrucciones. El no seguir las advertencias e instrucciones indicadas puede ocasionar una descarga eléctrica, un incendio y/o lesiones graves.

### Conserve todas las advertencias e instrucciones como referencia en el futuro.

En las advertencias, el término "herramienta eléctrica" se refiere a su herramienta eléctrica de funcionamiento con conexión a la red eléctrica (con cableado eléctrico) o herramienta eléctrica de funcionamiento a batería (inalámbrica).

#### Seguridad en el área de trabajo

1. **Mantenga el área de trabajo limpia y bien iluminada.** Las áreas oscuras o desordenadas son propensas a accidentes.
2. **No utilice las herramientas eléctricas en atmósferas explosivas, tal como en la presencia de líquidos, gases o polvo inflamables.** Las herramientas eléctricas crean chispas que pueden prender fuego al polvo o los humos.
3. **Mantenga a los niños y curiosos alejados mientras utiliza una herramienta eléctrica.** Las distracciones le pueden hacer perder el control.

#### Seguridad eléctrica

1. **Las clavijas de conexión de las herramientas eléctricas deberán encajar perfectamente en la toma de corriente. No modifique nunca la clavija de conexión de ninguna forma. No utilice ninguna clavija adaptadora con herramientas eléctricas que tengan conexión a tierra (puesta a tierra).** La utilización de clavijas no modificadas y que encajen perfectamente en la toma de corriente reducirá el riesgo de que se produzca una descarga eléctrica.
2. **Evite tocar con el cuerpo superficies conectadas a tierra o puestas a tierra tales como tubos, radiadores, cocinas y refrigeradores.** Si su cuerpo es puesto a tierra o conectado a tierra existirá un mayor riesgo de que sufra una descarga eléctrica.
3. **No exponga las herramientas eléctricas a la lluvia ni a condiciones húmedas.** La entrada de agua en una herramienta eléctrica aumentará el riesgo de que se produzca una descarga eléctrica.
4. **No maltrate el cable. Nunca utilice el cable para transportar, jalar o desconectar la herramienta eléctrica. Mantenga el cable alejado del calor, aceite, objetos cortantes o piezas móviles.** Los cables dañados o enredados aumentan el riesgo de sufrir una descarga eléctrica.
5. **Cuando utilice una herramienta eléctrica en exteriores, utilice un cable de extensión apropiado para uso en exteriores.** La utilización de un cable apropiado para uso en exteriores reducirá el riesgo de que se produzca una descarga eléctrica.
6. **Si no es posible evitar usar una herramienta eléctrica en condiciones húmedas, utilice un alimentador protegido con interruptor de circuito de falla a tierra (ICFT).** El uso de un ICFT reduce el riesgo de descarga eléctrica.



## Seguridad personal

- Manténgase alerta, preste atención a lo que está haciendo y utilice su sentido común cuando opere una herramienta eléctrica. No utilice una herramienta eléctrica cuando esté cansado o bajo la influencia de drogas, alcohol o medicamentos.** Un momento de distracción mientras opera las herramientas eléctricas puede terminar en una lesión grave.
- Use equipo de protección personal. Póngase siempre protección para los ojos.** El equipo protector tal como máscara contra el polvo, zapatos de seguridad antiderrapantes, casco rígido y protección para oídos utilizado en las condiciones apropiadas reducirá el riesgo de lesiones.
- Impida el encendido accidental. Asegúrese de que el interruptor esté en la posición de apagado antes de conectar a la alimentación eléctrica y/o de colocar el cartucho de batería, así como al levantar o cargar la herramienta.** Cargar las herramientas eléctricas con su dedo en el interruptor o enchufarlas con el interruptor encendido hace que los accidentes sean comunes.
- Retire cualquier llave de ajuste o llave de apriete antes de encender la herramienta.** Una llave de ajuste o llave de apriete que haya sido dejada puesta en una parte giratoria de la herramienta eléctrica puede ocasionar alguna lesión.
- No utilice la herramienta donde no alcance. Mantenga los pies sobre suelo firme y el equilibrio en todo momento.** Esto permite un mejor control de la herramienta eléctrica en situaciones inesperadas.
- Use vestimenta apropiada. No use ropas sueltas ni joyas. Mantenga el cabello, la ropa y los guantes alejados de las piezas móviles.** Las prendas de vestir holgadas, las joyas y el cabello suelto podrían engancharse en las piezas móviles.
- Si dispone de dispositivos para la conexión de equipos de extracción y recolección de polvo, asegúrese de conectarlos y utilizarlos debidamente.** Hacer uso de la recolección de polvo puede reducir los riesgos relacionados con el polvo.
- Desconecte la clavija de la fuente de energía y/o la batería de la herramienta eléctrica antes de realizar ajustes, cambiar accesorios o guardar las herramientas eléctricas.** Dichas medidas de seguridad preventivas reducen el riesgo de que la herramienta se inicie accidentalmente.
- Guarde la herramienta eléctrica que no use fuera del alcance de los niños y no permita que las personas que no están familiarizadas con ella o con las instrucciones la operen.** Las herramientas eléctricas son peligrosas en manos de personas que no saben operarlas.
- Realice el mantenimiento a las herramientas eléctricas. Compruebe que no haya partes móviles desalineadas o estancadas, partes rotas y cualquier otra condición que pueda afectar al funcionamiento de la herramienta eléctrica. Si la herramienta eléctrica está dañada, haga que se la reparen antes de utilizarla.** Muchos accidentes son ocasionados por herramientas eléctricas con mantenimiento inadecuado.
- Mantenga las herramientas de corte limpias y filosas.** Si recibe un mantenimiento adecuado y tiene los bordes afilados, es probable que la herramienta se atasque menos y sea más fácil controlarla.
- Utilice la herramienta eléctrica, los accesorios y las brocas de acuerdo con estas instrucciones, considerando las condiciones laborales y el trabajo a realizar.** Si utiliza la herramienta eléctrica para realizar operaciones distintas de las indicadas, podrá presentarse una situación peligrosa.

## Servicio

- Haga que una persona calificada repare la herramienta eléctrica utilizando sólo piezas de repuesto idénticas.** Esto asegura que se mantenga la seguridad de la herramienta eléctrica.
- Siga las instrucciones para la lubricación y cambio de accesorios.**
- Mantenga las agarraderas secas, limpias y sin aceite o grasa.**

UTILICE CABLES DE EXTENSIÓN APROPIADOS. Asegúrese de que su cable de extensión esté en buenas condiciones. Cuando utilice un cable de extensión, asegúrese de utilizar uno del calibre suficiente para conducir la corriente que demande el producto. Un cable de calibre inferior ocasionará una caída en la tensión de línea y a su vez una pérdida de potencia y sobrecalentamiento. La tabla 1 muestra la medida correcta a utilizar dependiendo de la longitud del cable y el amperaje nominal indicado en la placa de características. Si no está seguro, utilice el siguiente calibre más alto. Cuanto menor sea el número de calibre, más corriente podrá conducir el cable.

Tabla 1: Calibre mínimo para el cable

Amperaje nominal		Voltios	Longitud total del cable en metros			
			7 m (25 ft.)	15 m (50 ft.)	30 m (100 ft.)	45,7 m (150 ft.)
120 V ~			7 m (25 ft.)	15 m (50 ft.)	30 m (100 ft.)	45,7 m (150 ft.)
220 V ~ - 240 V ~			15 m (50 ft.)	30 m (100 ft.)	60,9 m (200 ft.)	91,4 m (300 ft.)
Más de	No más de	-	Calibre del cable (AWG)			
0 A	6 A		18	16	16	14
6 A	10 A		18	16	14	12
10 A	12 A		16	16	14	12
12 A	16 A		14	12	No se recomienda	

## Advertencias de seguridad del demoleedor eléctrico

1. **Utilice protectores de oídos.** La exposición al ruido puede provocar pérdida auditiva.
2. **Utilice los mango(s) auxiliare(s) que se suministren con la herramienta.** La pérdida de control puede ocasionar lesiones.
3. **Sujete la herramienta eléctrica por las superficies de agarre aisladas al realizar una operación en la que el accesorio de corte pueda estar en contacto con cables ocultos o su propio cable.** Si el accesorio de corte entra en contacto con un cable con corriente, las piezas metálicas expuestas de la herramienta eléctrica se cargarán también de corriente y el operador puede recibir una descarga eléctrica.
4. **Utilice un casco protector (casco de seguridad), gafas de seguridad y/o careta de protección.** Los anteojos comunes o de sol NO son gafas de seguridad. También es muy recomendable que utilice una máscara contra polvo y guantes bien acolchados.
5. **Asegúrese de que la punta se encuentre asegurada en su lugar antes de la operación.**
6. **En condiciones normales de operación, la herramienta está diseñada para producir vibración. Los tornillos pueden aflojarse fácilmente y causar una falla o accidente. Verifique cuidadosamente que los tornillos estén apretados antes de la operación.**
7. **En clima frío o cuando la herramienta no se haya utilizado durante un tiempo prolongado, permita que la herramienta se caliente un rato haciéndola funcionar sin carga. Esto facilitará la lubricación. Sin un calentamiento apropiado, la operación de percusión resultará difícil.**
8. **Asegúrese siempre de que pisa sobre suelo firme. Asegúrese de que no haya nadie debajo cuando utilice la herramienta en lugares altos.**
9. **Sujete la herramienta firmemente con ambas manos.**
10. **Mantenga las manos alejadas de las piezas móviles.**
11. **No deje la herramienta funcionando. Tenga en marcha la herramienta solamente cuando la esté sosteniendo con la mano.**
12. **Durante la operación, no apunte con la herramienta a ninguna persona en el área. La punta podría salir volando y causarle una lesión grave a alguien.**
13. **No toque la punta, las piezas cercanas a la punta o la pieza de trabajo inmediatamente después de la operación; éstas podrían estar extremadamente calientes y producirle quemaduras en la piel.**
14. **Algunos materiales contienen sustancias químicas que pueden ser tóxicas. Evite inhalar polvo y que éste entre en contacto con la piel. Consulte la hoja de seguridad de materiales del proveedor.**
15. **No toque la clavija de conexión con las manos húmedas.**




16. **Antes de iniciar la operación, asegúrese de que no hay objetos enterrados tales como tuberías eléctricas, de gas o de agua en el área de trabajo.** De lo contrario, el cincel podría entrar en contacto con estas y resultar en una descarga eléctrica, fuga eléctrica o fuga de gas.
17. **No opere la herramienta al vacío innecesariamente.**

## GUARDE ESTAS INSTRUCCIONES.

**⚠ADVERTENCIA: NO DEJE** que la comodidad o familiaridad con el producto (a base de utilizarlo repetidamente) evite que siga estrictamente las normas de seguridad para dicho producto. **El USO INCORRECTO o el no seguir las normas de seguridad indicadas en este manual de instrucciones puede ocasionar lesiones graves.**

## Símbolos

A continuación se muestran los símbolos utilizados para la herramienta.

V	volts o voltios
A	amperes
Hz	hertz
	corriente alterna
	Construcción clase II
 ... /min	número de golpes por minuto

## Fuente de alimentación

La herramienta solamente deberá ser conectada a una fuente de alimentación del mismo voltaje que el indicado en la placa de características, y únicamente podrá funcionar con un suministro de corriente alterna monofásica.

# DESCRIPCIÓN DEL FUNCIONAMIENTO

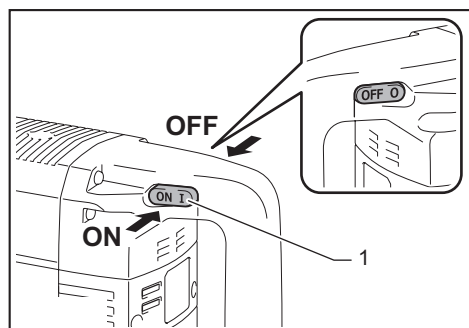
**⚠PRECAUCIÓN:** Asegúrese siempre de que la herramienta esté apagada y desconectada antes de ajustar o comprobar cualquier función en la herramienta.

## Accionamiento del interruptor

**⚠PRECAUCIÓN:** Antes de conectar la herramienta, compruebe siempre para verificar que la palanca interruptora se accione debidamente y que regrese a la posición apagada.

**⚠PRECAUCIÓN:** El interruptor puede ser bloqueado en la posición de encendido para mayor comodidad del operador durante un uso prolongado. Tenga cuidado al bloquear la herramienta en la posición de encendido y sujete la herramienta firmemente.

Para encender la herramienta, empuje la palanca interruptora a la posición de encendido "ON (I)" sobre el costado izquierdo de la herramienta. Para apagar la herramienta, empuje la palanca interruptora a la posición de apagado "OFF (O)" sobre el costado derecho de la herramienta.



► 1. Palanca interruptora

## Luz indicadora

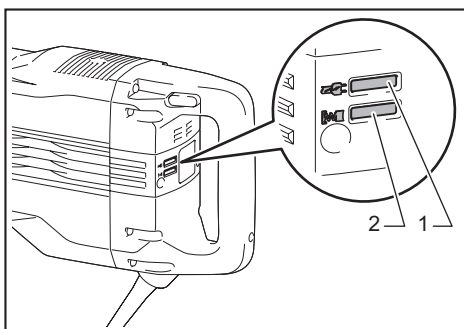
La luz indicadora para encendido (ON) se iluminará en color verde cuando se conecte la herramienta.

Si la luz indicadora no se ilumina, puede que el cable de alimentación o el controlador esté fallando.

Si la luz indicadora se ilumina pero la herramienta no se pone en marcha aunque la herramienta esté encendida, puede que las escobillas de carbón estén gastadas, o que el controlador, el motor o el interruptor estén fallando.

La luz indicadora de servicio parpadea en color rojo cuando las escobillas de carbón están casi totalmente desgastadas, para indicar que la herramienta necesita servicio de mantenimiento.

Después de aproximadamente 8 horas de uso, el motor se apagará automáticamente.



► 1. Lámpara indicadora de herramienta encendida (verde) 2. Indicadora de servicio (roja)

## Funcionamiento electrónico

La herramienta está equipada con funciones electrónicas para facilitar la operación.

- Función de rotación suave sin carga (Para el modelo HM1512 solamente)  
Los golpes sin carga por minuto se vuelven más pequeños que los de carga para reducir la vibración sin carga, pero esto no presenta problemas. Cuando la operación comienza con un cincel contra concreto, los golpes por minuto se incrementan.  
Cuando la temperatura es baja, la herramienta podría no tener esta función aun con el motor girando.
- Arranque suave  
La función de arranque suave reduce el impacto de encendido y hace que la máquina se ponga en marcha suavemente.

## MONTAJE

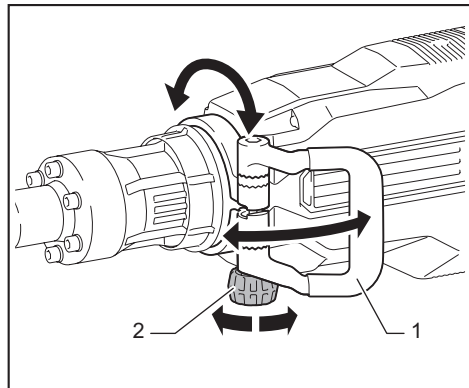
**⚠PRECAUCIÓN:** Asegúrese siempre de que la herramienta esté apagada y desconectada antes de realizar cualquier trabajo en la misma.

## Empuñadura lateral (auxiliar)

**⚠PRECAUCIÓN:** Utilice siempre el mango lateral para garantizar una operación segura.

**⚠PRECAUCIÓN:** Después de instalar o ajustar el mango lateral, asegúrese de que el mango lateral quede firmemente asegurado.

El mango lateral puede girarse 360° de manera vertical y asegurarse en cualquier posición que se desee. Afloje la tuerca de fijación para girar el mango lateral a la posición deseada y luego apriete la tuerca de fijación firmemente.

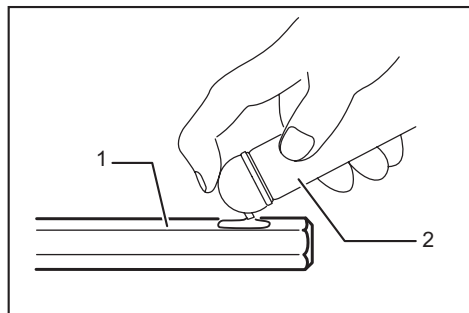


► 1. Mango lateral 2. Tuerca de fijación

## Instalación o extracción del cincel

### Grasa

Limpie el extremo de la espiga de la punta y aplique grasa antes de instalar la punta. Aplique previamente una pequeña cantidad de grasa (alrededor de 0,5 g - 1 g) en el extremo de la espiga de la punta. La lubricación del portabrocas asegura un accionamiento suave y una vida útil más larga.

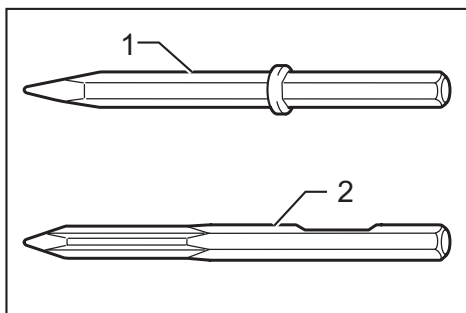


► 1. Extremo de la espiga 2. Grasa

## Instalación del cincel

**PRECAUCIÓN:** Siempre asegúrese de que la broca está bien segura tirando de ella como si deseara quitarla del mandril luego de completar el procedimiento de inserción.

Esta herramienta admite cincelos con o sin collarín en su vástago.



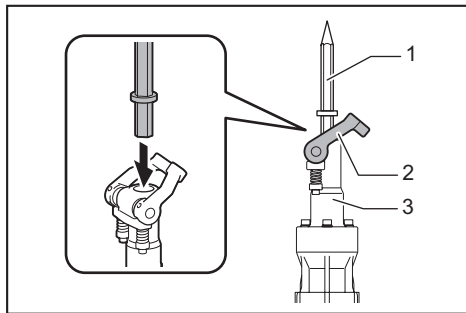
► 1. Cincel con collarín 2. Cincel sin collarín

Para instalar los cincelos siga uno de los procedimientos (1) o (2) abajo descriptos.

**AVISO:** No podrá retenerse el cincel sin el collarín mediante el procedimiento (1).

- (1) **Para cincelos con un collarín**  
Gire el retén de la herramienta como se muestra en la figura. Inserte el cincel dentro del sujetador de la herramienta, lo más profundo que llegue.

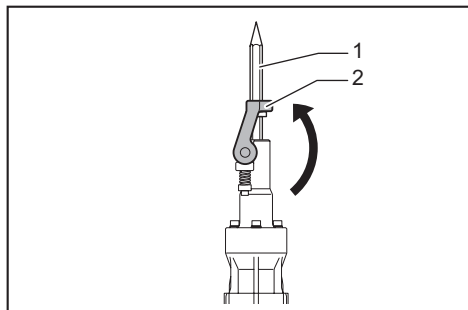
**Cuando inserte el cincel**



► 1. Cincel 2. Retén de herramienta 3. Portaherramienta

Para asegurar el cincel, regrese el retén de la herramienta como se muestra en la figura.

#### Quando se retiene el cincel

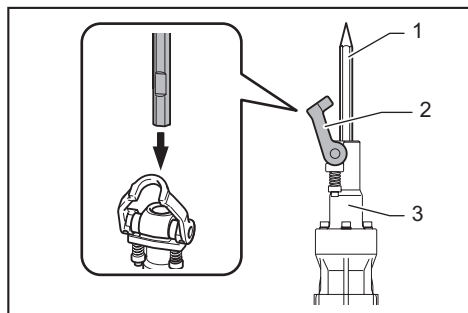


► 1. Cincel 2. Retén de herramienta

#### (2) Para cincelos sin collarín

Gire el retén de la herramienta como se muestra en la figura. Con la parte mellada del cincel orientada hacia el eje del retén de la herramienta, inserte el cincel dentro del sujetador de la herramienta, lo más profundo que llegue.

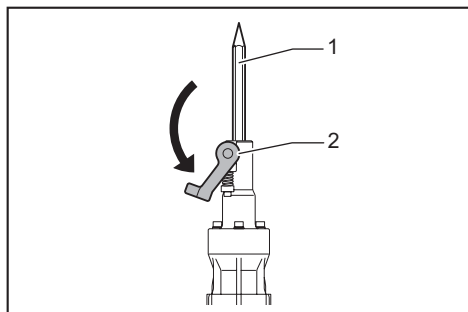
#### Quando inserte el cincel



► 1. Cincel 2. Retén de herramienta 3. Portaherramienta

Para asegurar el cincel, gire el retén de la herramienta como se muestra en la figura.

#### Quando se retiene el cincel



► 1. Cincel 2. Retén de herramienta

### Extracción del cincel

Para retirar la broca, siga el proceso inverso al de instalación.

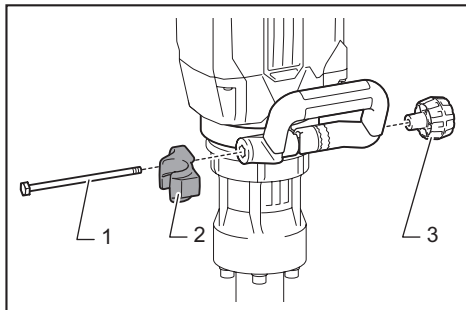
## Accesorio del extractor de polvo

### Accesorio opcional

El accesorio del extractor de polvo tiene el propósito de reducir el polvo y partículas lanzados al aire cuando se cincela un material de cerámica, tal como concreto.

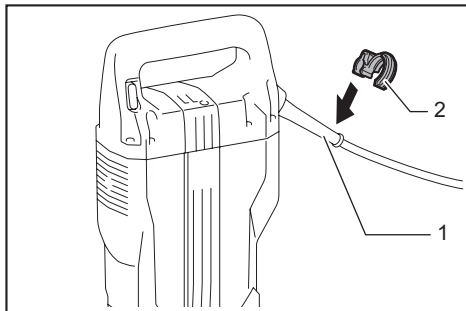
#### 1. Instale el sujetador de la manguera (A).

Afloje la tuerca de fijación, y luego extraiga el perno de cabeza hexagonal. Instale el sujetador de la manguera (A) entre el perno de cabeza hexagonal y la tuerca de fijación apretando la tuerca de fijación firmemente.



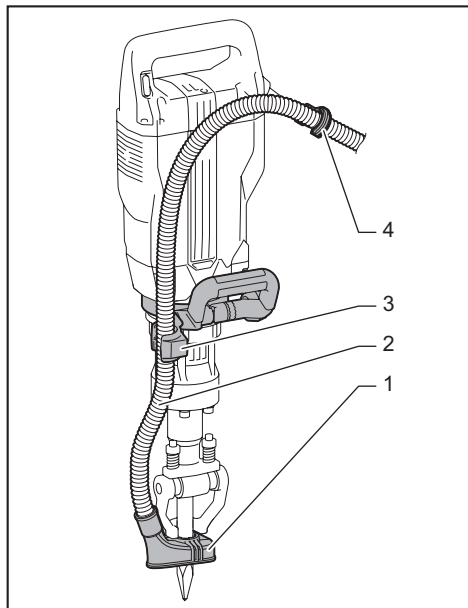
► 1. Perno de cabeza hexagonal 2. Sujetador de la manguera (A) 3. Tuerca de fijación

#### 2. Coloque el sujetador de la manguera (C) en el protector del cable.



► 1. Protector del cable 2. Sujetador de la manguera (C)

3. Instale la cubierta contra polvo y la manguera en la herramienta y luego fije la manguera a los sujetadores de la manguera.



- 1. Cubierta contra el polvo 2. Manguera  
3. Sujetador de la manguera (A) 4. Sujetador de la manguera (C)

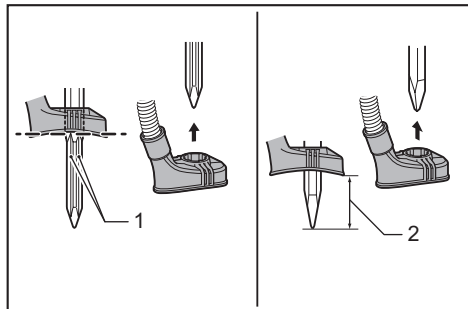
4. Conecte la manguera a la manguera de la aspiradora con la junta de la manguera.

**NOTA:** Si la manguera no viene incluida, conecte la cubierta contra polvo a la junta de la aspiradora o a la manguera  $\varnothing 28$  Makita.

5. Ajuste la distancia entre la cubierta contra polvo y la punta del cincel o cincel de punta.

Para el cincel de punta autoafilable, ajuste la cubierta contra polvo para que no deje al descubierto los canales del cincel de punta autoafilable.

Ajuste la distancia entre la cubierta contra polvo y la punta del cincel o cincel de punta. La distancia recomendada es de 30 mm (1-3/16") a 100 mm (3-15/16").



- 1. Canal 2. 30 mm (1-3/16") a 100 mm (3-15/16")

## OPERACIÓN

**PRECAUCIÓN:** Utilice siempre la empuñadura lateral (mango auxiliar) y sujete firmemente la herramienta tanto de la empuñadura lateral como del mango del interruptor durante las operaciones.

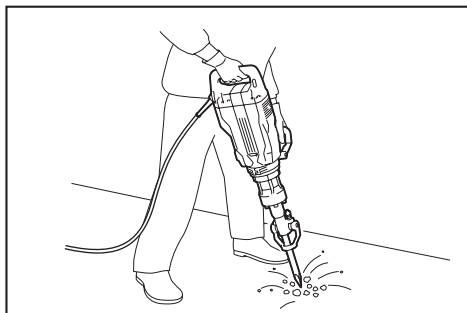
**PRECAUCIÓN:** Asegúrese siempre de que la pieza de trabajo quede asegurada antes de la operación. No asegurar adecuadamente la pieza de trabajo podría ocasionar que esta se mueva, y resultar en una lesión.

**PRECAUCIÓN:** No jale hacia afuera la herramienta con demasiada fuerza aun si la punta se atora. La pérdida de control podría causar lesiones.

**PRECAUCIÓN:** No deje la herramienta clavada en la pieza de trabajo. De lo contrario, la herramienta podría ponerse en marcha accidentalmente y ocasionar una lesión.

## Cincelado/desincrustación/demolición

Sujete la herramienta firmemente con ambas manos. Encienda la herramienta y aplique una ligera presión sobre ella de manera que no rebote de forma descontrolada. Aplicar mucha presión sobre la herramienta no incrementará la eficiencia.



## MANTENIMIENTO

**PRECAUCIÓN:** Asegúrese siempre de que la herramienta esté apagada y desconectada antes de realizar cualquier trabajo de inspección o mantenimiento.

**AVISO:** Nunca use gasolina, bencina, diluyente (tiner), alcohol o sustancias similares. Puede que esto ocasione grietas o descoloramiento.

Para mantener la SEGURIDAD y FIABILIDAD del producto, las reparaciones, y cualquier otra tarea de mantenimiento o ajuste deberán ser realizadas en centros de servicio autorizados o de fábrica Makita, empleando siempre repuestos Makita.

## Lubricación

**⚠PRECAUCIÓN:** Este servicio de mantenimiento solo debe ser realizado por los centros de servicio autorizados de Makita.

Esta herramienta no requiere lubricación cada hora o una vez al día, ya que cuenta con un sistema de lubricación relleno de grasa. Este sistema deberá relubrificarse con regularidad. Envíe la herramienta completa al centro de servicio autorizado o de fábrica de Makita para este servicio de lubricación.

## ACCESORIOS OPCIONALES

**⚠PRECAUCIÓN:** Estos accesorios o aditamentos están recomendados para utilizarse con su herramienta Makita especificada en este manual.

El empleo de cualquier otro accesorio o aditamento puede conllevar el riesgo de lesiones personales. Utilice los accesorios o aditamentos solamente para su fin establecido.

Si necesita cualquier ayuda para más detalles en relación con estos accesorios, pregunte a su centro de servicio local Makita.

- Cíncel de punta
- Cíncel plano
- Cíncel de desincrustación
- Pala de arcilla
- Pisón
- Grasa para puntas
- Accesorio del extractor de polvo
- Gafas de seguridad
- Portamartillo

**NOTA:** Algunos de los artículos en la lista pueden incluirse en el paquete de la herramienta como accesorios estándar. Éstos pueden variar de país a país.

## GARANTÍA LIMITADA DE MAKITA

### Ésta Garantía no aplica para México

Consulte la hoja de la garantía anexa para ver los términos más vigentes de la garantía aplicable a este producto. En caso de no disponer de esta hoja de garantía anexa, consulte los detalles sobre la garantía descritos en el sitio web de su país respectivo indicado a continuación.

Estados Unidos de América: [www.makitatools.com](http://www.makitatools.com)

Canadá: [www.makita.ca](http://www.makita.ca)

Otros países: [www.makita.com](http://www.makita.com)

< USA only >

# WARNING

Some dust created by power sanding, sawing, grinding, drilling, and other construction activities contains chemicals known to the State of California to cause cancer, birth defects or other reproductive harm. Some examples of these chemicals are:

- lead from lead-based paints,
- crystalline silica from bricks and cement and other masonry products, and
- arsenic and chromium from chemically-treated lumber.

Your risk from these exposures varies, depending on how often you do this type of work. To reduce your exposure to these chemicals: work in a well ventilated area, and work with approved safety equipment, such as those dust masks that are specially designed to filter out microscopic particles.

< Sólo en los Estados Unidos >

# ADVERTENCIA

Algunos polvos creados por el lijado, aserrado, esmerilado, taladrado y otras actividades de la construcción contienen sustancias químicas reconocidas por el Estado de California como causantes de cáncer, defectos de nacimiento y otros peligros de reproducción. Algunos ejemplos de estos productos químicos son:

- plomo de pinturas a base de plomo,
- sílice cristalino de ladrillos y cemento y otros productos de albañilería, y
- arsénico y cromo de maderas tratadas químicamente.

El riesgo al que se expone varía, dependiendo de la frecuencia con la que realice este tipo de trabajo. Para reducir la exposición a estos productos químicos: trabaje en un área bien ventilada y póngase el equipo de seguridad indicado, tal como las máscaras contra polvo que están especialmente diseñadas para filtrar partículas microscópicas.

**Makita Corporation**

3-11-8, Sumiyoshi-cho,  
Anjo, Aichi 446-8502 Japan

[www.makita.com](http://www.makita.com)

885835-945  
HM1512-1  
EN, FRCA, ESMX  
20201208